

Product Features

- All Teflon® wetted assemblies available
- For very corrosive applications
- Various process fittings available
- Probe lengths to 48"
- Standard resolution is 1/4"
- M12 Micro-male plug or extension cable available
- Continuous analog level measurement
- Analog output via remotely mounted DIN Rail transmitter
- Undisturbed by foaming
- Vapor insensitive

Description

The LFT44 are miniature synthetic (non-metallic wetted parts) float level transducers suitable for level measurement in vessels of up to 48 inches in height. Floats are made from PTFE (Teflon®). Tubes are 316SS clad with PFA or PTFE (Teflon®). Flanges and fittings are available in Polyethylene (PE), polypropylene (PP), PVC and PTFE (Teflon®). The use of 1" NPT fitting or flange, accommodates the diameter of the float and allows the units to be installed from the top of the vessel or mounting bracket, without removing the float.

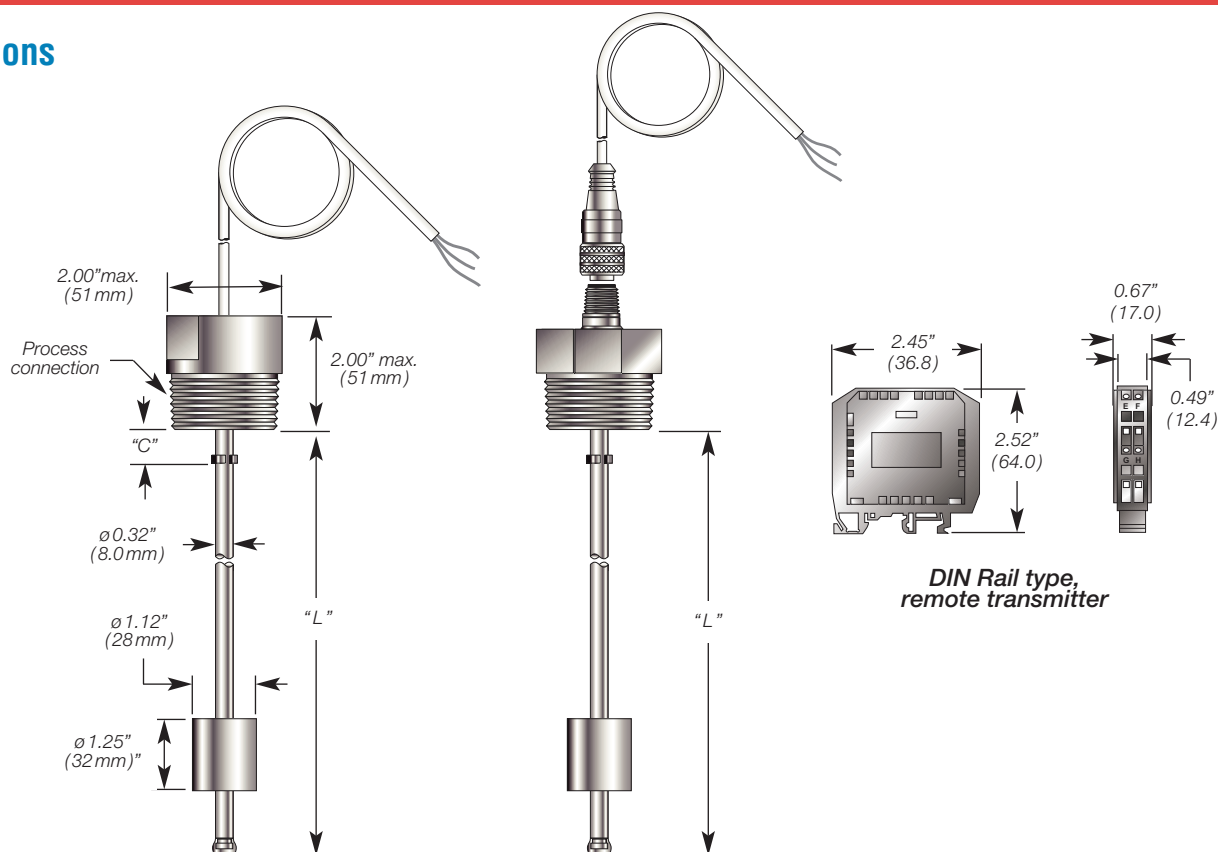
Each transducer comes standard with a remote mounted DIN rail transmitter, float and a fitting/probe. Reliable operation and simple design makes the LFT44 an excellent choice for many corrosive level sensing applications.

Application / Process Notes

- Ideal for level measurement where installation space is limited or tanks are compact
- Acids and water based liquids
- Very corrosive liquids
- Chemical holding tanks with clean liquids
- Measurement of liquid levels in mobile equipment
- Machinery, energy, naval, Industrial, automation
- Not recommended where liquids are dirty or sticky



Dimensions



Technical Specifications

Sensor Specifications

Sensing Technology :	Reed Switch chain type
Measuring Range :	From 6 to 48 inches (152 to 1219 mm)
Resolution :	0.25 inch (6.5 mm)
Available Floats :	PTFE (Teflon®)
Dead Band :	1.00" (25mm) from tip of probe
Minimum Liquid SG :	0.9 min. recommended
Max. Pressure :	25 PSIG @ 25 °C (77 °F)
Media Temperature Range :	100 °C (212 °F) max.
Wetted Parts :	
Stem :	PFA (std.) or PTFE (Teflon®) clad
Float :	PTFE (Teflon®)
Fitting :	PE, PP, PVC or PTFE (Teflon®)
Flange :	PE, PP, PVC or PTFE (Teflon®)
Process Connection Size :	1.25", 1.5" & 2 NPT male
Electrical Connections :	M12 connector or various cable types, see Box3
Transmitter Type :	
DIN Rail :	Polyamide, NEMA 1/IP40
Adjustments :	Via potentiometer, 20 turn

Environmental Specifications

Ambient Temperature Range :	- 20 to 60 °C (- 4 to 140 °F)
Storage Temperature Range :	- 40 to 60 °C (- 40 to 140 °F)
Environmental Protection :	NEMA 4X/IP66

Output Data, 2-wire

Output :	4-20 mA 2-wire
Maximum Loop Resistance :	Rmax. = $[V_{\text{supply}} - 9\text{VDC}] / 20\text{mA}$
Accuracy :	$\leq \pm 1.5\%$ FS typ.
Open Circuit Detection :	Over-scale limit (27.0 mA) or Under-scale limit (2.2 mA)
Sensing Voltage & Current :	5 VDC max., 2.5 mA max.
Warmup :	30 sec.

Output Data, 3-wire

Output :	1-5 VDC, 0-5 VDC, 0-10 VDC, 3-wire
Accuracy :	$\leq \pm 1.5\%$ FS typ.
Output Impedance :	>1 MΩ
Sensing Voltage & Current :	5 VDC max., 2.5 mA max.
Warmup :	30 sec.

Electrical Specifications

Supply Voltage :	12-32 VDC
Residual Ripple Supply Voltage :	$\leq 5\%$
Supply Voltage Protection :	Reverse polarity, excess voltage, override and short circuit protected
Supply Effect :	<0.02 %/V

Custom Builder

MODEL 1 2 3 4 5 6 7 8 9 10 11

LFT44 - - - - - - - - - - -

BOX 1 CODE	Electronic Module
DA	4-20 mA, 2-wire output DIN Rail type, remote
DD	1-5 VDC, 3-wire output DIN Rail type, remote
DE	0-5 VDC, 3-wire output DIN Rail type, remote
DF	0-10 VDC, 3-wire output DIN Rail type, remote
RA	0-5 KΩ, 3-wire output
RB	0-10 KΩ, 3-wire output
RC	0-20 KΩ, 3-wire output
Rx	xx-yy KΩ, 3-wire output, Specify

Other outputs available. Consult factory.

BOX 2 CODE	Resolution
B	± 0.25 inch (6.4 mm)

BOX 3 CODE	Extension Cable/Connector Type
MC	M12 Micro-Male Connector
PV	PVC Insulation, stranded cond. 90°C(195°F) max.
TF	Teflon® insulation, stranded cond. 200°C(392°F) max.
TA	Teflon® with SS armor, 200°C(356°F) max.
SL	Silicone Insulation, 180°C(356°F) max.
TS	Teflon® with SS overbraid, 200°C(392°F) max.

BOX 4 CODE	Extension Cable Length "H" (MC Option)
00	None
A2	Straight, PVC, 6ft, (2 meters)
A5	Straight, PVC, 15ft, (5 meters)
B2	Right Angle, PVC, 6ft, (2 meters)
B5	Right Angle, PVC, (5 meters)
BOX 4 CODE	Extension Cable Length "F" (Cable Option)
---	In Inches Ex.: 060 = 60" long

BOX 5 CODE	Certificates of Compliance
N	None, for non-hazardous areas

BOX 6 CODE	Float Style
TA	PTFE, ø 1.12" x 1.25" L, SG=0.72

Floats are field-removable.
Other floats available. Consult factory.

BOX 7 CODE	Fitting Type & Size
HN	1.25" NPT male*
JN	1.5" NPT male*
KN	2" NPT male (Code Box 8 TF only)

BOX 8 CODE	Fitting/Flange Material
PE	Polyethylene
PP	Polypropylene
PV	PVC
TF	PTFE (Teflon®)

BOX 9 CODE	Probe Cladding Material
PF	PFA (Teflon®) std., Translucent
PT	PTFE (Teflon®), White Color

BOX 10 CODE	Float Stop Distance "C"
---	In 0.1" increments Ex.: N020 = 2.0" long

BOX 11 CODE	Probe Length "L"
---	In 0.1" increments (from 6" to 48") Ex.: 240 = 24.0" long