

# PORTABLE LIQUID MANAGEMENT SYSTEM

## FEATURES

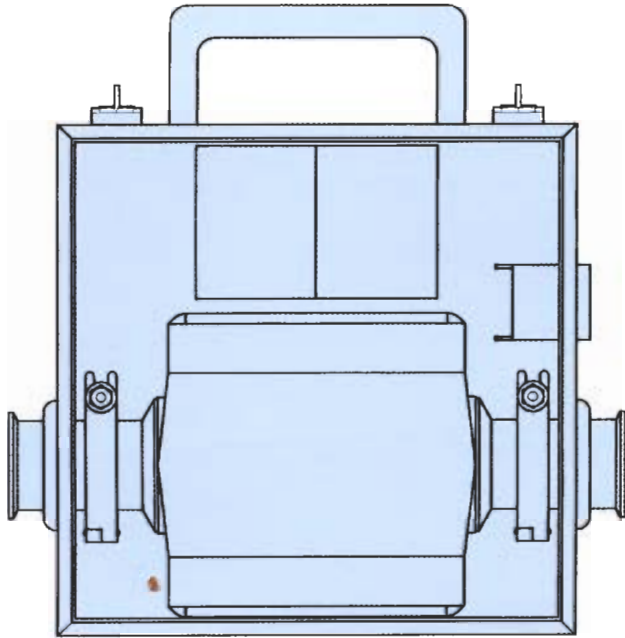
- High accuracy
- Viscosity insensitive
- Traced calibration
- NEMA 4 rated
- No moving parts
- Micro-processor based
- Optional temperature compensation



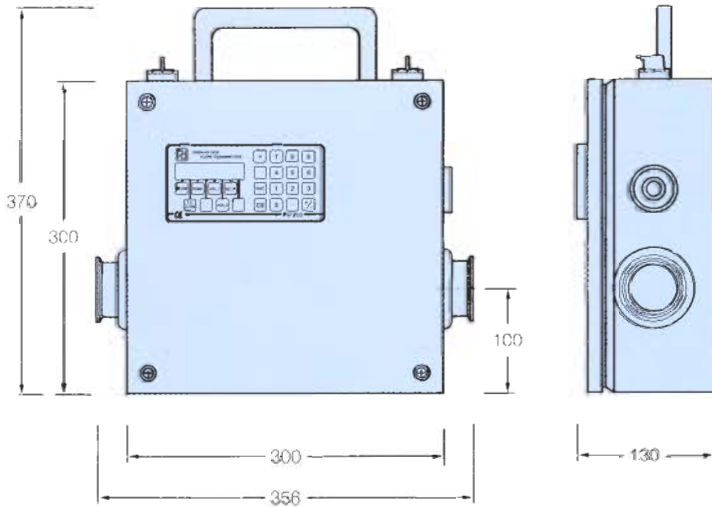
The BC210PA series Portable Liquid Management System is compact, self-contained and battery powered. Using a precision electro-magnetic flow transmitter, linked with a user-friendly keypad display, parameters such as flow rates, totals, temperature and batch volumes ensure accurate management of liquid product.

**CONFLOW**  
TECHNOLOGIES INC.

# BC210PA Series



ALL DIMENSIONS ARE  
IN MILLIMETRES



## APPLICATIONS:

- Tank Calibrations
- In-plant meter verification
- Inventory Control
- Batch control
- Product transfer
- Flow monitoring

## SPECIFICATIONS:

- Meter sizes: 1 - 3 inches
- Flow ranges: 1" - 800 - 8,000 LPH/  
3.5 - 35 USGPM  
1-1/2" - 2,000 - 20,000 LPH/  
8 - 88 USGPM  
2" - 4,000 - 40,000 LPH/  
17 - 176 USGPM  
2-1/2" - 8,000 - 80,000 LPH/  
35 - 350 USGPM  
3" - 12,000 - 120,000 LPH/  
52 - 528 USGPM

## Wetted

- components: 316SS teflon lined
- End connections: Tri-clamp, NPT, Flanged, Camlock
- Enclosure: NEMA 4, 304SS
- Dimensions: 14.5" x 14" x 5"/  
370 mm x 356 mm x 130 mm
- Weight: 15 KG/33 LBS

## Electrical

- Voltage: 24 VDC +/- 15%
- Current: 175 mA
- Batteries: 2-12 VDC Gel cell - rechargeable
- Charger: 2 stage regulated, 24 VDC, 1 amp,  
120 VAC powered

## Meters

- Accuracy: +/- .25% (+/- 0.10% typical)
- Repeatability: +/- 0.05%
- Turndown: 10:1
- Max. Temperature: 100 C/212 F
- Max. Pressure: 10 Bar/150 psi
- Min. Fluid Conductivity: 5 ms/cm

## LIMITED WARRANTY

Seller warrants that the goods described in this Warranty are free from defects in workmanship and materials only and for a period of one (1) year from the original date of shipment. Seller shall not be liable for any incidental or consequential damages. This warranty extends to the original purchaser of the product warranted hereunder and to each transferee owner of the product during the term of the Warranty. In the event of a defect, malfunction or failure of the product not caused by any misuse or damage to the product while in possession of the owner, the warrantor will remedy the failure of defect, within a reasonable amount of time after written notification from the owner of same. The remedy will consist of repair or replacement of the product, at the warrantor's option. The owner must return the defective or malfunctioning component part(s) to the factory for such repair or replacement. If this product or one of its component parts is modified in any way by the owner, his agent or employee, this Warranty shall become null and void.

Dealer

**CONFLOW**  
TECHNOLOGIES INC.

18 Regan Road, Units 28 & 29, Brampton, Ontario L7A 1C2  
Telephone: (905) 840-6800 Fax: (905) 840-6799  
Internet Address: [conflow@orbonline.net](mailto:conflow@orbonline.net)