

# Operating Instructions

Radar sensor for continuous level  
measurement of liquids and bulk solids

## NCR-86

Four-wire 4 ... 20 mA/HART

90 ... 253 V AC; 50/60 Hz



Document ID: 1034064



**BINMASTER**

**Contents**

<b>1</b>	<b>About this document</b> .....	<b>4</b>
1.1	Function .....	4
1.2	Target group .....	4
1.3	Symbols used .....	4
<b>2</b>	<b>For your safety</b> .....	<b>5</b>
2.1	Authorised personnel .....	5
2.2	Appropriate use .....	5
2.3	Warning about incorrect use .....	5
2.4	General safety instructions .....	5
2.5	Mode of operation - Radar signal .....	6
2.6	Installation and operation in the USA and Canada .....	6
<b>3</b>	<b>Product description</b> .....	<b>7</b>
3.1	Configuration .....	7
3.2	Principle of operation .....	7
3.3	Adjustment .....	8
3.4	Packaging, transport and storage .....	9
<b>4</b>	<b>Setup - the most important steps</b> .....	<b>10</b>
<b>5</b>	<b>Mounting</b> .....	<b>11</b>
5.1	General instructions .....	11
5.2	Housing features .....	11
5.3	Mounting preparations, mounting strap .....	13
5.4	Mounting versions, plastic horn antenna .....	15
5.5	Mounting instructions .....	17
5.6	Measuring rigs - bypass .....	36
5.7	Measurement setup - Flow .....	38
<b>6</b>	<b>Connecting to power supply</b> .....	<b>41</b>
6.1	Preparing the connection .....	41
6.2	Connecting .....	42
6.3	Wiring plan, double chamber housing .....	43
6.4	Switch-on phase .....	44
<b>7</b>	<b>Access protection</b> .....	<b>46</b>
7.1	Bluetooth radio interface .....	46
7.2	Protection of the parameterization .....	46
<b>8</b>	<b>Set up with the display and adjustment module</b> .....	<b>48</b>
8.1	Insert display and adjustment module .....	48
8.2	Adjustment system .....	49
8.3	Measured value indication - Selection of national language .....	50
8.4	Parameterization .....	51
8.5	Save parameter adjustment data .....	71
<b>9</b>	<b>Set up with Smartphone/tablet</b> .....	<b>72</b>
9.1	Preparations .....	72
9.2	Connecting .....	72
9.3	Parameter adjustment .....	73
<b>10</b>	<b>Menu overview</b> .....	<b>74</b>
10.1	Functions and adjustment possibilities .....	74

10.2	Special parameters .....	77
<b>11</b>	<b>Set up with other systems.....</b>	<b>80</b>
11.1	DD adjustment programs .....	80
11.2	Field Communicator 375, 475.....	80
<b>12</b>	<b>Diagnosis, asset management and service.....</b>	<b>81</b>
12.1	Maintenance .....	81
12.2	Measured value and event memory.....	81
12.3	Asset Management function .....	82
12.4	Echo curve .....	86
12.5	Rectify faults .....	87
12.6	Exchanging the electronics module .....	91
12.7	How to proceed if a repair is necessary .....	92
<b>13</b>	<b>Dismount.....</b>	<b>93</b>
13.1	Dismounting steps .....	93
13.2	Disposal .....	93
<b>14</b>	<b>Certificates, approvals and certifications.....</b>	<b>94</b>
14.1	Radio licenses.....	94
14.2	Conformity.....	94
<b>15</b>	<b>Supplement.....</b>	<b>95</b>
15.1	Technical data .....	95
15.2	Radio astronomy stations .....	117
15.3	Dimensions .....	117
15.4	Licensing information for open source software .....	136
15.5	Trademark.....	136

# 1 About this document

## 1.1 Function

This instruction provides all the information you need for mounting, connection and setup as well as important instructions for maintenance, fault rectification, safety and the exchange of parts. Please read this information before putting the instrument into operation and keep this manual accessible in the immediate vicinity of the device.

## 1.2 Target group

This instruction manual is directed to trained personnel. The contents of this manual must be made available to the qualified personnel and implemented.

## 1.3 Symbols used



**Information, note, tip:** This symbol indicates helpful additional information and tips for successful work.



**Note:** This symbol indicates notes to prevent failures, malfunctions, damage to devices or plants.



**Caution:** Non-observance of the information marked with this symbol may result in personal injury.



**Warning:** Non-observance of the information marked with this symbol may result in serious or fatal personal injury.



**Danger:** Non-observance of the information marked with this symbol results in serious or fatal personal injury.



### Ex applications

This symbol indicates special instructions for Ex applications.



### List

The dot set in front indicates a list with no implied sequence.



### 1 Sequence of actions

Numbers set in front indicate successive steps in a procedure.



### Disposal

This symbol indicates special instructions for disposal.



## 2 For your safety

### 2.1 Authorised personnel

All operations described in this documentation must be carried out only by trained and authorized personnel.

During work on and with the device, the required personal protective equipment must always be worn.

### 2.2 Appropriate use

NCR-86 is a sensor for continuous level measurement.

You can find detailed information about the area of application in chapter "*Product description*".

Operational reliability is ensured only if the instrument is properly used according to the specifications in this document as well as possible supplementary instructions.

### 2.3 Warning about incorrect use

Inappropriate or incorrect use of this product can give rise to application-specific hazards, e.g. vessel overfill through incorrect mounting or adjustment. Damage to property and persons or environmental contamination can result. Also, the protective characteristics of the instrument can be impaired.

### 2.4 General safety instructions

This is a state-of-the-art instrument complying with all prevailing regulations and directives. The instrument must only be operated in a technically flawless and reliable condition. The operating company is responsible for the trouble-free operation of the instrument. When measuring aggressive or corrosive media that can cause a dangerous situation if the instrument malfunctions, the operating company has to implement suitable measures to make sure the instrument is functioning properly.

The safety instructions in this instructions manual, the national installation standards as well as the valid safety regulations and accident prevention rules must be observed.

For safety and warranty reasons, any invasive work on the device beyond that described in this instructions manual may be carried out only by personnel authorised by us. Arbitrary conversions or modifications are explicitly forbidden. For safety reasons, only the accessory specified by us must be used.

To avoid any danger, the safety approval markings and safety tips on the device must also be observed.

The low transmitting power of the radar sensor is far below the internationally approved limits. No health impairments are to be expected with intended use. The band range of the measuring frequency can be found in chapter "*Technical data*".

## 2.5 Mode of operation - Radar signal

Country or region specific settings for the radar signals are determined via the mode. The operating mode must be set in the operating menu via the respective operating tool at the beginning of the setup.



### **Caution:**

Operating the device without selecting the relevant mode constitutes a violation of the regulations of the radio approvals of the respective country or region.

## 2.6 Installation and operation in the USA and Canada

This information is only valid for USA and Canada. Hence the following text is only available in the English language.

Installations in the US shall comply with the relevant requirements of the National Electrical Code (NEC - NFPA 70) (USA).

Installations in Canada shall comply with the relevant requirements of the Canadian Electrical Code (CEC Part I) (Canada).

A Class 2 power supply unit has to be used for the installation in the USA and Canada.

## 3 Product description

### 3.1 Configuration

#### Scope of delivery

The scope of delivery encompasses:

- Radar sensor, possibly with accessories
  - Disc springs (flange version with encapsulated antenna system)<sup>1)</sup>
  - Hexagon socket wrench (for instruments with swivel holder)
  - Optional accessory
- Information sheet "*PINs and Codes*" with:
  - Bluetooth access code
- Information sheet "*Access protection*" with:
  - Bluetooth access code
  - Emergency Bluetooth unlock code
- Documentation
  - Quick setup guide NCR-86
  - Instructions for optional instrument components
  - Radio licenses
  - If necessary, further certificates



#### Information:

Optional instrument features are also described in this instructions manual. The respective scope of delivery results from the order specification.

#### Type label

The type label contains the most important data for identification and use of the instrument:

- Instrument type
- Information about approvals
- Configuration information
- Technical data
- Serial number of the instrument
- QR code for device identification
- Numerical code for Bluetooth access (optional)
- Manufacturer information

#### Documents and software

Further information can be found on our homepage.

There you will find the documentation and further information about the device.

### 3.2 Principle of operation

#### Application area

The NCR-86 is a radar sensor for continuous level measurement of liquids as well as bulk solids under different process conditions.

#### Antenna systems

The instrument is available with different antenna systems:

<sup>1)</sup> Use see chapter "Mounting instructions, sealing to the process"

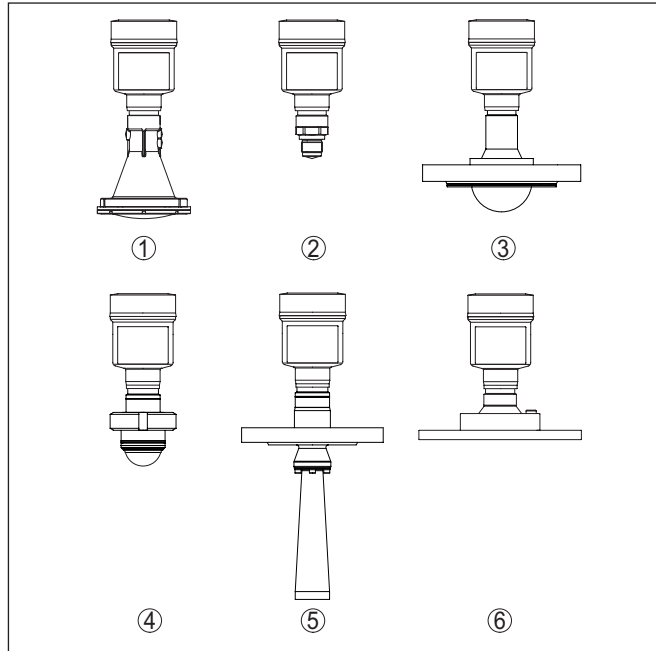


Fig. 1: Antenna systems NCR-86

- 1 Plastic horn antenna
- 2 Thread with integrated antenna system
- 3 Flange with encapsulated antenna system
- 4 Hygienic fitting
- 5 Horn antenna
- 6 Flange with lens antenna

## Functional principle

The instrument emits a continuous, frequency-modulated radar signal through its antenna. The emitted signal is reflected by the medium and received by the antenna as an echo with modified frequency. The frequency change is proportional to the distance and is converted into the level.

## 3.3 Adjustment

### Local adjustment

On-site adjustment of the device is carried out via the integrated display and adjustment unit.



#### Note:

The housing with display and adjustment unit can be rotated by 360° for optimum readability and operability.

### Wireless adjustment

Devices with integrated Bluetooth module can be adjusted wirelessly via smartphone/tablets (iOS or Android operating system).

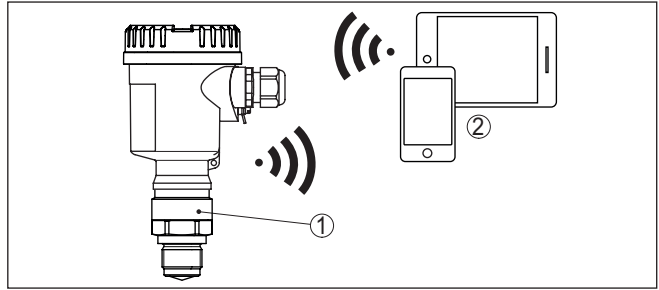


Fig. 2: Wireless connection to standard operating devices with integrated Bluetooth LE

- 1 Sensor
- 2 Smartphone/Tablet

### 3.4 Packaging, transport and storage

#### Packaging

Your instrument was protected by packaging during transport. Its capacity to handle normal loads during transport is assured by a test based on ISO 4180.

The packaging consists of environment-friendly, recyclable cardboard. For special versions, PE foam or PE foil is also used. Dispose of the packaging material via specialised recycling companies.

#### Transport

Transport must be carried out in due consideration of the notes on the transport packaging. Nonobservance of these instructions can cause damage to the device.

#### Transport inspection

The delivery must be checked for completeness and possible transit damage immediately at receipt. Ascertained transit damage or concealed defects must be appropriately dealt with.

#### Storage

Up to the time of installation, the packages must be left closed and stored according to the orientation and storage markings on the outside.

Unless otherwise indicated, the packages must be stored only under the following conditions:

- Not in the open
- Dry and dust free
- Not exposed to corrosive media
- Protected against solar radiation
- Avoiding mechanical shock and vibration

#### Storage and transport temperature

- Storage and transport temperature see chapter "Supplement - Technical data - Ambient conditions"
- Relative moisture 20 ... 85 %

#### Lifting and carrying

With instrument weights of more than 18 kg (39.68 lbs) suitable and approved equipment must be used for lifting and carrying.

## 4 Setup - the most important steps

### Prepare

What?	How?
Identify sensor	Scan QR code on type label, check sensor data

### Mount and connect sensor

Liquids	Bulk solids
Connection technology	Wiring plan

### Select adjustment

Display and adjustment module	Adjustment app <sup>2)</sup>

### Parameterize sensor

Liquids	Bulk solids
Enter medium type, application, vessel height, adjustment and mode	

### Check measured value

Indicators	Output

<sup>2)</sup> Download via Apple App Store, Google Play Store, Baidu Store

## 5 Mounting

### 5.1 General instructions

#### Protection against moisture

Protect your instrument against moisture ingress through the following measures:

- Use a suitable connection cable (see chapter "*Connecting to power supply*")
- Tighten the cable gland or plug connector
- Lead the connection cable downward in front of the cable entry or plug connector

This applies mainly to outdoor installations, in areas where high humidity is expected (e.g. through cleaning processes) and on cooled or heated vessels.



#### Note:

Make sure that during installation or maintenance no moisture or dirt can get inside the instrument.

To maintain the housing protection, make sure that the housing lid is closed during operation and locked, if necessary.

#### Process conditions



#### Note:

For safety reasons, the instrument must only be operated within the permissible process conditions. You can find detailed information on the process conditions in chapter "*Technical data*" of the operating instructions or on the type label.

Hence make sure before mounting that all parts of the instrument exposed to the process are suitable for the existing process conditions.

These are mainly:

- Active measuring component
- Process fitting
- Process seal

Process conditions in particular are:

- Process pressure
- Process temperature
- Chemical properties of the medium
- Abrasion and mechanical influences

#### Second Line of Defense

As a standard feature, the NCR-86 is separate from the process through its plastic antenna encapsulation.

Optionally, the instrument is available with a Second Line of Defense (SLOD), a second process separation. It is located as gas-tight leadthrough between the process component and the electronics.

This means additional safety against penetration of the medium from the process into the instrument.

### 5.2 Housing features

#### Filter element

The filter element in the housing is used for ventilation of the housing.

For effective ventilation, the filter element must always be free of deposits. Therefore, mount the device so that the filter element is protected against deposits.



**Note:**

Do not use a high-pressure cleaner to clean housings in standard types of protection. The filter element could be damaged and moisture could penetrate the housing.

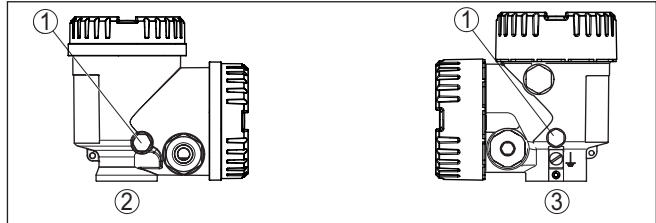


Fig. 3: Position of the filter element depending on housing

- 1 Filter element
- 2 Plastic double chamber
- 3 Aluminium - double chamber

### Housing orientation

The housing of NCR-86 can be rotated completely by 360°. This enables optimal reading of the display and easy cable entry.<sup>3)</sup>

For housings made of plastic or electropolished stainless steel, this is done without tools.

With aluminium housings, a locking screw must be loosened for turning, see the following illustration:

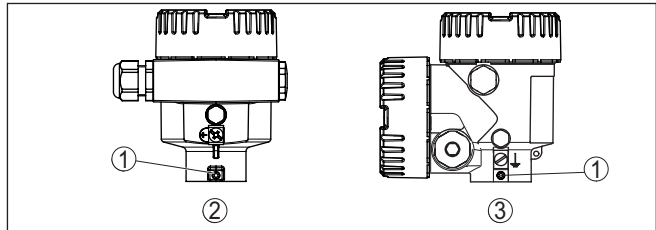


Fig. 4: Position of the locking screw depending on housing

- 1 Locking screw
- 2 Aluminium - single chamber
- 3 Aluminium - double chamber

Proceed as follows:

1. Loosen locking screw (hexagon size 2.5)
2. Turn housing into requested position
3. Re-tighten the locking screw (torque see chapter "Technical data").

<sup>3)</sup> No limitation by a rotation stop



**Note:**

By rotating the housing, polarisation changes. For this reason, please also observe the notes on polarisation in chapter "Mounting instructions".

**Cover catch**

With the aluminium housing, the housing cover can be secured with a screw. This protects the device against unauthorised opening of the cover.

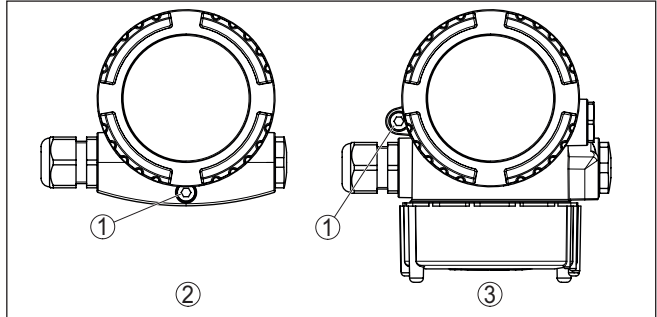


Fig. 5: Position of the safety screw depending on housing

- 1 Safety screw
- 2 Aluminium - single chamber
- 3 Aluminium - double chamber

Proceed as follows to secure the cover:

1. Screw the housing cover on tightly by hand
2. Unscrew the locking screw from the cover up to the stop using a size 4 hexagonal spanner
3. Check if the cover can no longer be turned

The housing cover is unlocked in the opposite way.

**Note:**

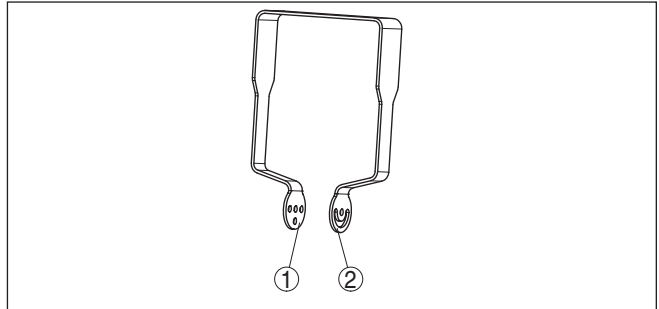
The locking screw has two holes drilled through the head. Thus it can also be sealed.

### 5.3 Mounting preparations, mounting strap

The mounting bracket is supplied loose as an optional accessory for the plastic horn antenna. It must be screwed onto the sensor with the three M5 x 10 hexagon socket screws and spring washers before setup:

- Required tool: Hexagon spanner size 4
- Max. torque: see chapter "Technical data"

There are two different variants of screwing the strap to the sensor, see following illustration:

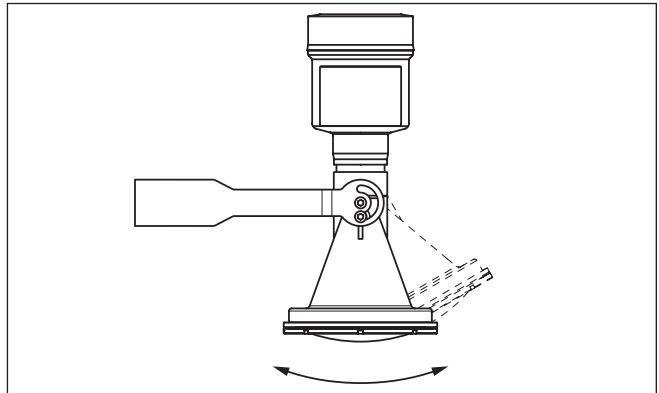


*Fig. 6: Mounting strap for screwing to the sensor*

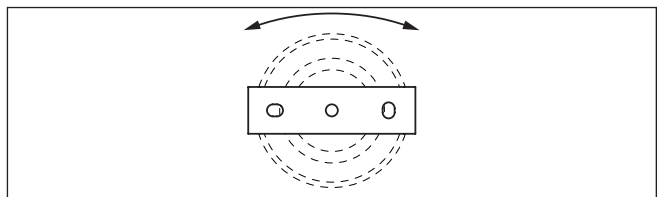
- 1 Variant 1: Inclination adjustable in steps
- 2 Variant 2: Inclination steplessly adjustable

Depending on the selected variant, the sensor can be rotated in the strap:

- Single chamber housing
  - Inclination in three steps 0°, 90° and 180°
  - Inclination 180° steplessly
- Double chamber housing
  - Inclination in two steps 0° and 90°
  - Inclination 90° steplessly



*Fig. 7: Adjustment of the inclination when mounted horizontally on the wall*



*Fig. 8: Rotate when mounted vertically on the ceiling*

## 5.4 Mounting versions, plastic horn antenna

### Mounting strap

The optional mounting strap allows simple mounting of the instrument on a wall, ceiling or boom. Especially in the case of open vessels, this is a simple and effective way to align the sensor to the surface of the bulk solid material.

The following versions are available:

- Length 300 mm
- Length 170 mm



#### Note:

For safe operation of the device, stable, permanent mounting on a load-bearing surface (concrete, wood, steel, etc.) is required. Take this into account when choosing the installation location and use suitable fastening materials (screws, dowels, pipe clamps, etc.).

### Mounting strap - Ceiling mounting

The instrument is normally mounted vertically with a bracket on the ceiling.

This allows swivelling the sensor up to 180° for optimal orientation and rotating for optimal connection.

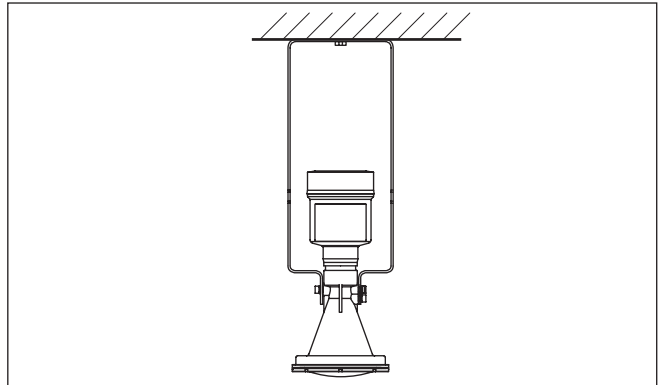


Fig. 9: Ceiling mounting via the mounting strap with length 300 mm

### Mounting strap - Wall mounting

As an alternative the strap mounting is carried out horizontally or obliquely.

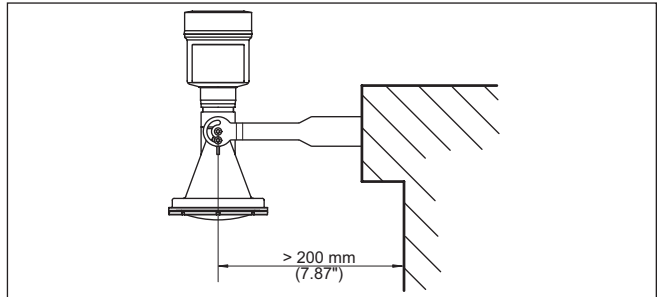


Fig. 10: Wall mounting horizontally via the mounting strap with length 170 mm

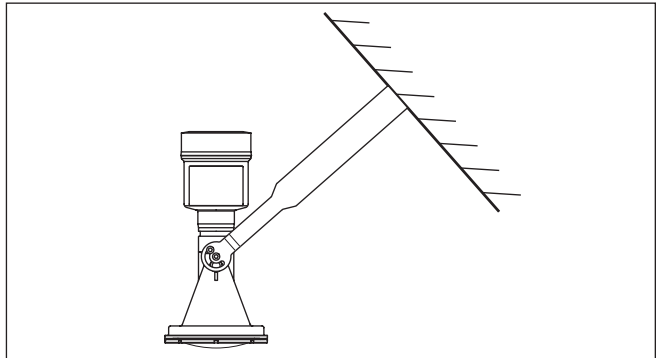


Fig. 11: Wall mounting with inclined wall via the mounting strap with length 300 mm

## Flange

Two versions are available for mounting the instrument on a nozzle:

- Combi compression flange
- Adapter flange

### Combi compression flange:

The combi compression flange is suitable for different vessel flanges DN 80, ASME 3" and JIS 80. It comes not sealed against the radar sensor and can thus only be used unpressurized. It can be retrofitted on instruments with single chamber housing, retrofitting to a double chamber housing is not possible.

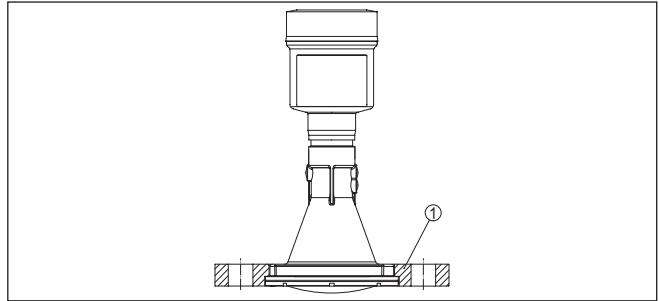


Fig. 12: Combi compression flange

- 1 Combi compression flange

**Adapter flange:**

The adapter flange is available from DN 100, ASME 3" and JIS 100. It is permanently connected with the radar sensor and sealed.

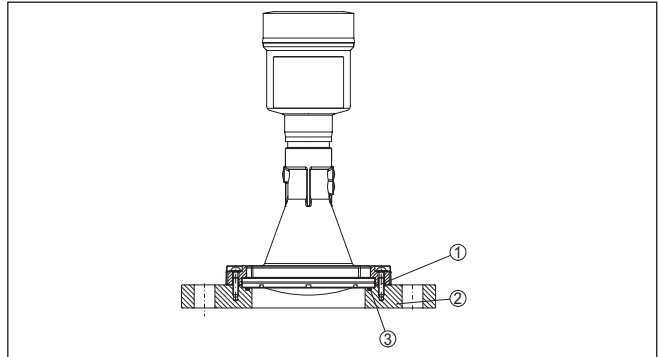


Fig. 13: Adapter flange

- 1 Connection screw
- 2 Adapter flange
- 3 Process seal

**5.5 Mounting instructions**

**Polarisation**

Radars sensors for level measurement emit electromagnetic waves. The polarisation is the direction of the electrical share of these waves. It is identifiable by a mark on the housing, see the following drawing:

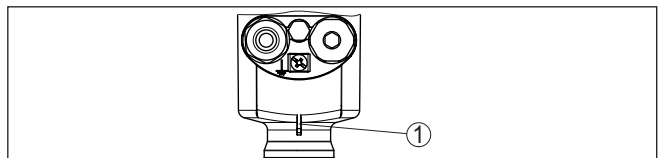


Fig. 14: Position of the polarisation

- 1 Nose for marking the direction of polarisation

Turning the housing changes the polarisation and thus also the effect of false echoes on the measured value.



**Note:**

Therefore, pay attention to the position of the polarisation when mounting or when making subsequent changes. Fix the housing to prevent a change in the metrological properties (see chapter "Housing features").

### Measuring spot

Radar sensors emit their measurement signal in the form of a beam. Depending on the distance and antenna size (beam angle), a measuring spot of different size results, which can be represented approximately as a circle. It should be noted that installations outside the calculated measuring spot can also generate reflections, as this merely represents the area of the highest energy density of the radar signal.

Presentation	Distance	Diameter of the measuring spot depending on the antenna size (beam angle)		
		G $\frac{3}{4}$ , $\frac{3}{4}$ NPT (14°)	G1 $\frac{1}{2}$ , 1 $\frac{1}{2}$ NPT (7°)	80 mm, 3" (3°)
	1 m	0.25 m	0.12 m	0.1 m
	2 m	0.5 m	0.25 m	0.1 m
	3 m	0.75 m	0.25 m	0.15 m
	5 m	1.2 m	0.35 m	0.25 m
	8 m	2 m	1 m	0.4 m
	10 m	2.4 m	1.2 m	0.5 m
	20 m	4.8 m	2.4 m	1 m
	30 m	7.25 m	3.5 m	1.5 m

### Mounting position - liquids

When mounting the device, keep a distance of at least 200 mm (7.874 in) from the vessel wall. If the device is installed in the center of dished or round vessel tops, multiple echoes can arise. However, these can be suppressed by an appropriate adjustment (see chapter "Setup").



**Note:**

If you cannot maintain this distance, you should carry out a false signal suppression during setup. This applies especially if buildup on the vessel wall is to be expected.<sup>4)</sup>

<sup>4)</sup> In this case, it is recommended to repeat the false signal suppression at a later time with existing buildup.

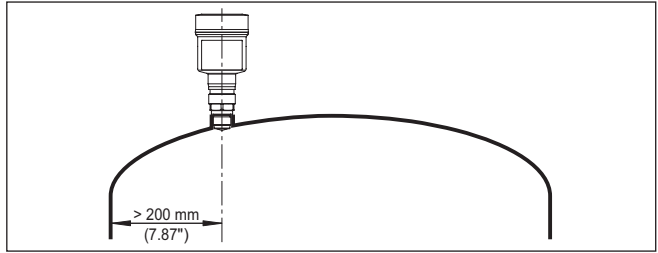


Fig. 15: Mounting of the radar sensor on round vessel tops

In vessels with conical bottom it can be advantageous to mount the device in the centre of the vessel, as measurement is then possible down to the bottom.

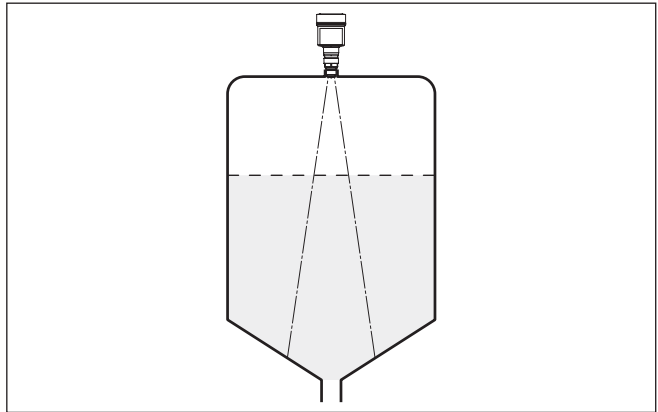


Fig. 16: Mounting of the radar sensor on vessels with conical bottom

**Mounting position - bulk solids**

Mount the instrument at least 200 mm (7.874 in) away from the vessel wall.

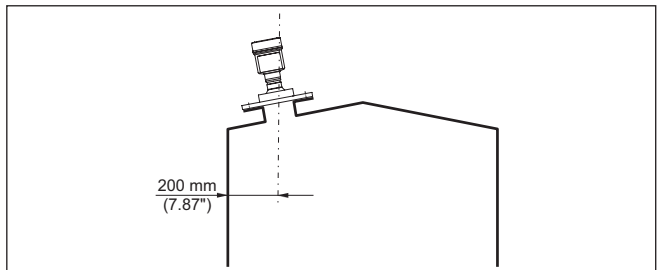


Fig. 17: Mounting the radar sensor on the vessel top

**Note:**

If you cannot maintain this distance, you should carry out a false signal suppression during setup. This applies especially if buildup on the vessel wall is to be expected.<sup>5)</sup>

**Reference plane**

The measuring range of the NCR-86 physically begins with the antenna end.

However, the min./max. adjustment begins mathematically with the reference plane, which is located differently depending on the sensor version.

**Plastic horn antenna:**

The reference plane is the sealing surface on the lower side.

**Thread with integrated antenna system:**

The reference plane is the sealing surface at the bottom of the hexagon.

**Flange with encapsulated antenna system:**

The reference plane is the lower side of the flange plating.

**Hygienic fitting:**

The reference plane at the O-ring is on the front edge of the antenna.

**Horn antenna:**

The reference plane is the seal surface on the hexagon or the lower side of the flange.

**Flange with lens antenna:**

The reference plane is the lower side of the flange.

The following graphic shows the position of the reference plane with different sensor versions.

<sup>5)</sup> In this case, it is recommended to repeat the false signal suppression at a later time with existing buildup.



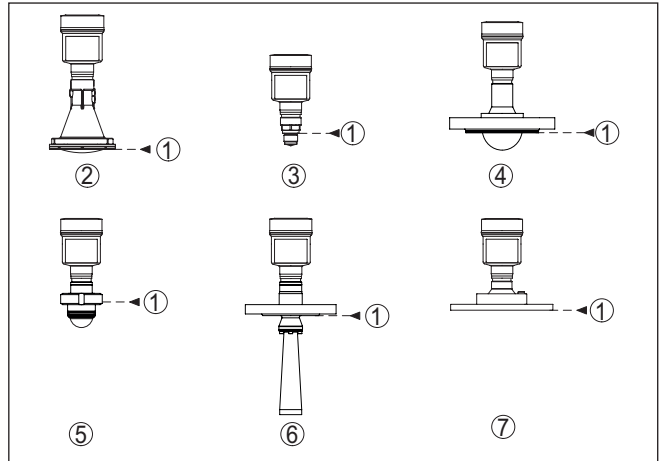


Fig. 18: Position of the reference plane

- 1 Reference plane
- 2 Plastic horn antenna
- 3 Threaded fitting
- 4 Flange connection
- 5 Hygienic fitting
- 6 Horn antenna
- 7 Flange with lens antenna

**Inflowing medium - liquids**

Do not mount the instrument in or above the filling stream. Make sure that you detect the medium surface, not the inflowing product.

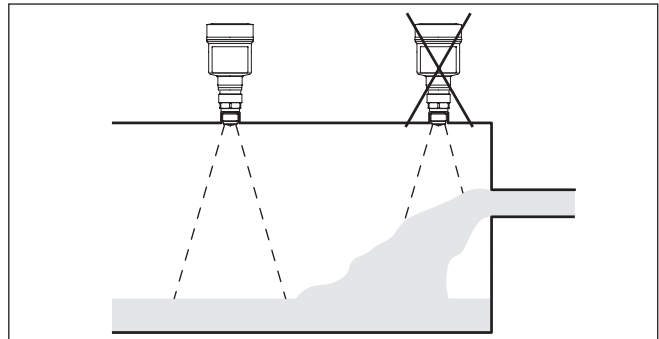


Fig. 19: Mounting of the radar sensor with inflowing medium

**Inflowing medium - bulk solids**

As a general rule, the device must not be mounted too close to or above the inflowing medium, otherwise the radar signal could be disturbed.

**Silo with filling from top:**

The optimal mounting position is opposite the filling aperture. To avoid heavy soiling of the antenna, the distance to any filter or dust exhauster should be as large as possible.

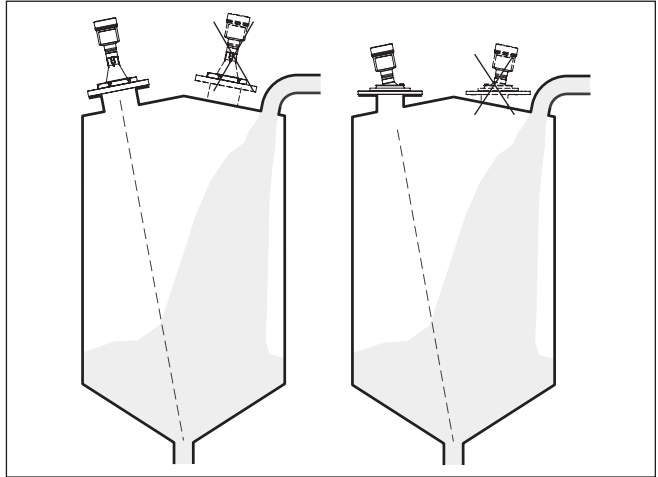


Fig. 20: Mounting of the radar sensor with inflowing medium – filling from top

**Silo with lateral filling:**

The optimal mounting position is next to the filling. To avoid heavy soiling of the antenna, the distance to any filter or dust exhauster should be as large as possible.

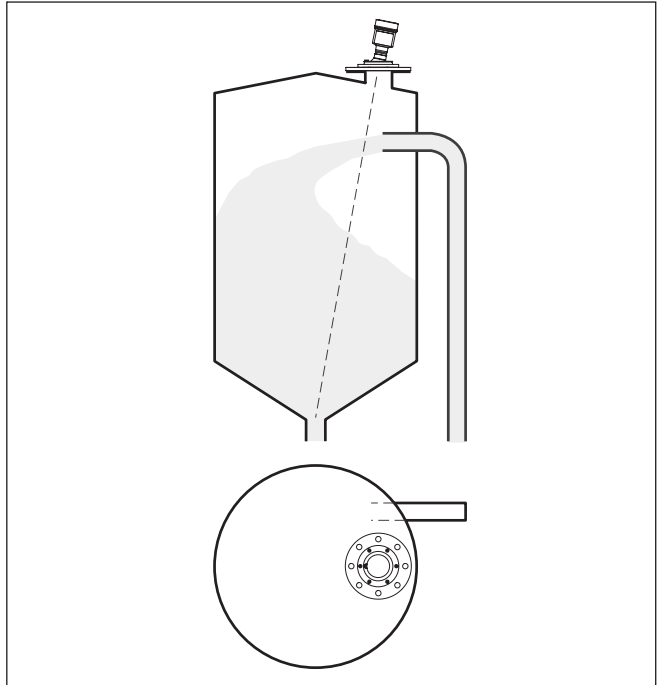


Fig. 21: Mounting of the radar sensor with inflowing medium – filling from the side

### Socket mounting - short nozzles

For nozzle mounting, the nozzle should be as short as possible and its end rounded. This reduces false reflections from the nozzle.

With threaded connection, the antenna end should protrude at least 5 mm (0.2 in) out of the nozzle.

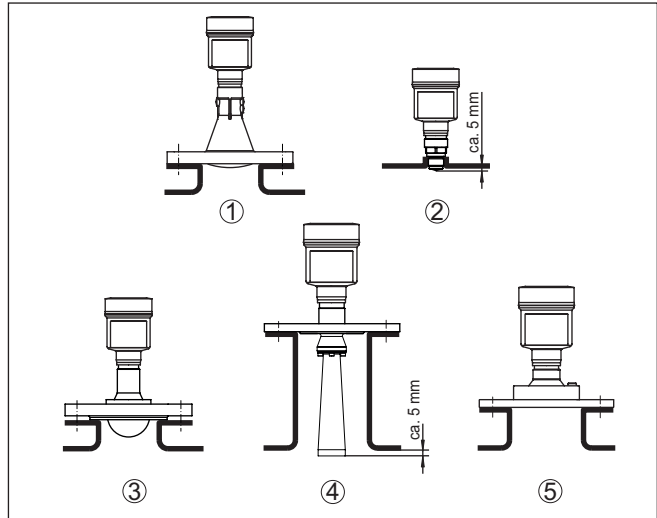


Fig. 22: Recommended socket mounting with different versions of NCR-86

- 1 Plastic horn antenna
- 2 Thread with integrated antenna system
- 3 Flange with encapsulated antenna system
- 4 Horn antenna
- 5 Flange with lens antenna

### Socket mounting - longer nozzles

If the reflective properties of the medium are good, you can mount NCR-86 on sockets longer than the antenna. The socket end should be smooth and burr-free, if possible also rounded.



#### Note:

When mounting on a longer socket piece, we recommend to carry out a false signal suppression (see chapter "Parameter adjustment"). This adapts the device to the metrological properties of the socket.

You will find recommended values for socket heights in the following illustration or the tables. The values come from typical applications. Deviating from the proposed dimensions, also longer sockets are possible, however the local conditions must be taken into account.

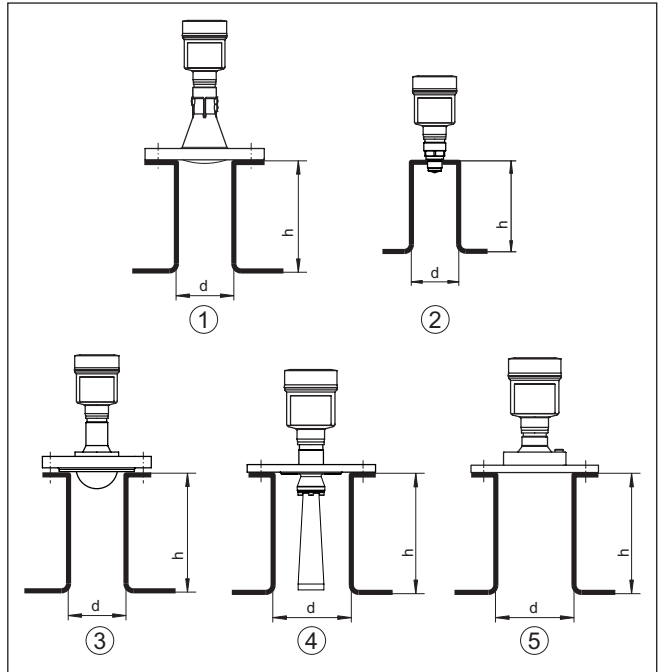


Fig. 23: Socket mounting with deviating socket dimensions with different versions of NCR-86

- 1 Plastic horn antenna
- 2 Thread with integrated antenna system
- 3 Flange with encapsulated antenna system
- 4 Horn antenna
- 5 Flange with lens antenna

**Plastic horn antenna**

Socket diameter "d"		Socket length "h"	
80 mm	3"	≤ 400 mm	≤ 15.8 in
100 mm	4"	≤ 500 mm	≤ 19.7 in
150 mm	6"	≤ 800 mm	≤ 31.5 in

**Thread with integrated antenna system**

Socket diameter "d"		Socket length "h"	
40 mm	1½"	≤ 150 mm	≤ 5.9 in
50 mm	2"	≤ 200 mm	≤ 7.9 in
80 mm	3"	≤ 300 mm	≤ 11.8 in
100 mm	4"	≤ 400 mm	≤ 15.8 in
150 mm	6"	≤ 600 mm	≤ 23.6 in

### Flange with encapsulated antenna system

Socket diameter "d"		Socket length "h"	
50 mm	2"	≤ 200 mm	≤ 7.9 in
80 mm	3"	≤ 400 mm	≤ 15.8 in
100 mm	4"	≤ 500 mm	≤ 19.7 in
150 mm	6"	≤ 800 mm	≤ 31.5 in

### Horn antenna

Socket diameter "d"		Socket length "h"		Recommended antenna diameter	
40 mm	1½"	≤ 100 mm	≤ 3.9 in	40 mm	1½"
50 mm	2"	≤ 150 mm	≤ 5.9 in	48 mm	2"
80 mm	3"	≤ 300 mm	≤ 11.8 in	75 mm	3"

### Flange with lens antenna

Socket diameter "d"		Socket length "h"	
100 mm	4"	≤ 500 mm	≤ 19.7 in
150 mm	6"	≤ 800 mm	≤ 31.5 in

### Sealing to the process

The device is also available with flange and encapsulated antenna system. In this version, the PTFE washer of the antenna encapsulation is also the process seal.

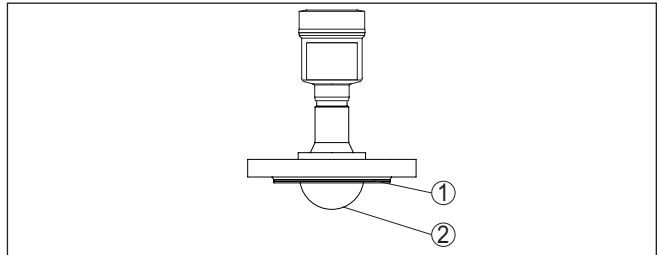


Fig. 24: NCR-86 with flange and encapsulated antenna system

- 1 PTFE washer
- 2 Antenna encapsulation



#### Note:

PTFE-plated flanges, however, have a preload loss over time with large temperature changes. This can negatively affect the sealing properties.

To avoid this, use the disc springs from the scope of delivery during mounting. They fit the required flange screws.

Proceed as follows to seal effectively:

1. Use flange screws according to the number of flange holes

2. Insert the disc springs as described above

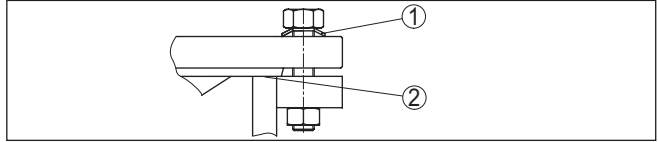


Fig. 25: Use of disc springs

- 1 Disc spring
- 2 Sealing surface

3. Tighten screws with the necessary torque (see chapter "Technical data", "Torques")



**Note:**

We recommend retightening the screws at regular intervals depending on the process pressure and temperature. This will maintain the sealing properties of the antenna encapsulation against the process.

**Mounting, PTFE threaded adapter**

PTFE threaded adapters are available for NCR-86 with thread G1½ resp. 1½ NPT. Due to this, only PTFE is in contact with the medium.

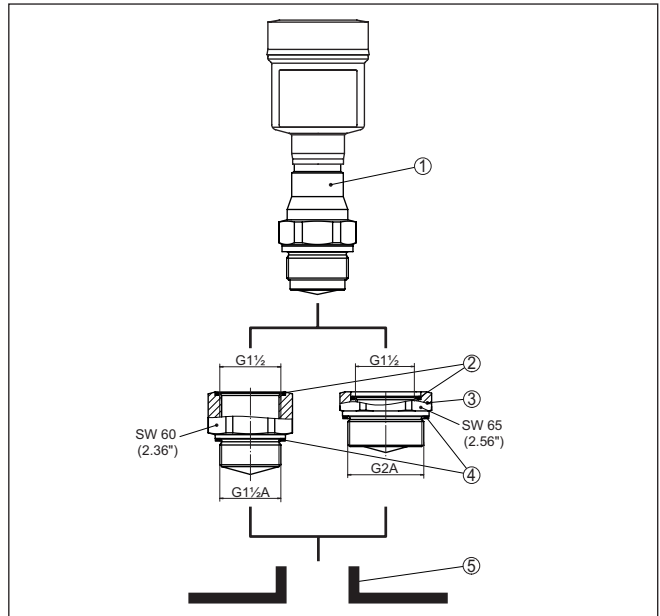


Fig. 26: NCR-86 with PTFE threaded adapter (example NCR-86 with thread G1½)

- 1 Sensor
- 2 O-ring seal (sensor side)
- 3 PTFE threaded adapter
- 4 Flat seal (process side)
- 5 Welded socket

Proceed as follows to mount the PTFE adapter:

1. Remove existing Klingsil flat seal on the thread of the device



**Information:**

With the adapter in NPT version, the Klingsil flat seal is omitted.

2. Insert the supplied O-ring seal (1) into the threaded adapter on the sensor side
3. Place the supplied flat seal (4) on the process side onto the thread of the adapter



**Information:**

With the adapter in NPT version, the Klingsil flat seal on the process side is omitted.

4. Screw the threaded adapter on the hexagon into the welded socket. Torque see chapter "Technical data", "Torques".
5. Screw the sensor on the hexagon into the threaded adapter. Torque see chapter "Technical data", "Torques".

**Mounting in the vessel insulation**

Instruments for a temperature range from 200 °C have a spacer for temperature decoupling. It is located between process fitting and electronics housing.



**Note:**

Incorrect installation of the device can render this temperature decoupling ineffective. Damage to the electronics can be the result.

Hence ensure effective temperature decoupling. Include the spacer in the vessel insulation only up to max. 40 mm, see the following figure.

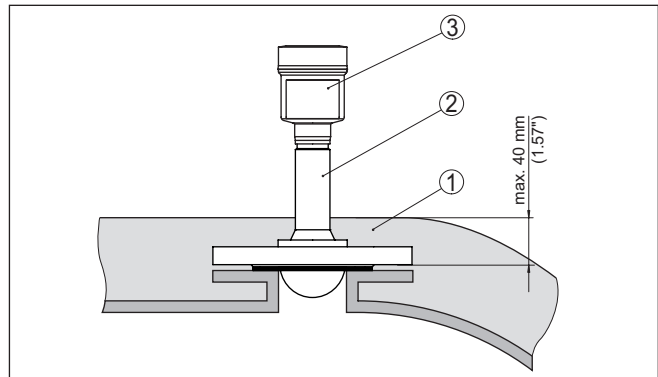


Fig. 27: Mounting the instrument on insulated vessels

- 1 Vessel insulation
- 2 Distance piece for temperature decoupling
- 3 Electronics housing

**Vessel installations**

The mounting location of the radar sensor should be a place where no other equipment or fixtures cross the path of the radar signals.



Vessel installations, such as e.g. ladders, limit switches, heating spirals, struts, etc., can cause false echoes and impair the useful echo. Make sure when planning your measuring point that the radar sensor has a "clear view" to the measured product.

In case of existing vessel installations, a false signal suppression should be carried out during setup.

If large vessel installations such as struts or supports cause false echoes, these can be attenuated through supplementary measures. Small, inclined sheet metal baffles above the installations "scatter" the radar signals and prevent direct interfering reflections.

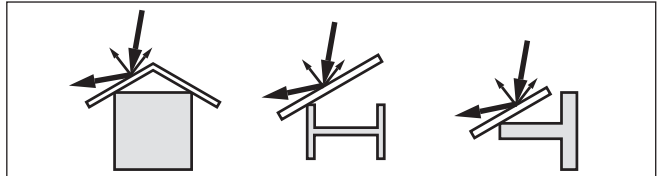


Fig. 28: Cover flat, large-area profiles with deflectors

**Alignment - Liquids**

In liquids, direct the device as perpendicular as possible to the medium surface to achieve optimum measurement results.

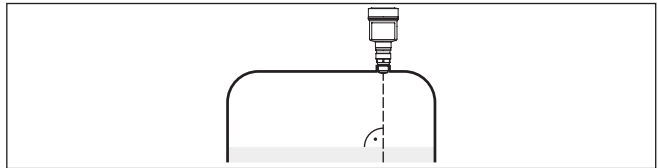


Fig. 29: Alignment in liquids

**Orientation - Bulk solids**

In a cylindrical silo with conical outlet, the mounting is carried out on a third up to the half of the vessel radius from outside (see following drawing).

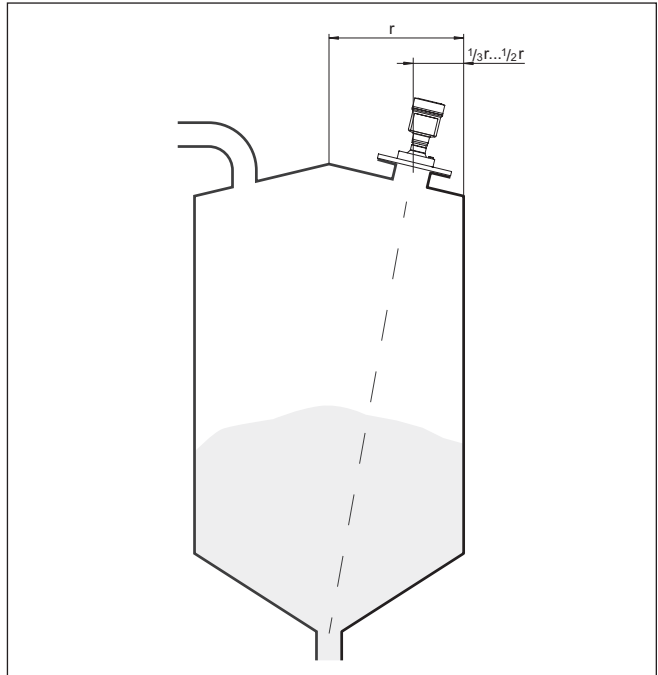


Fig. 30: Mounting position and orientation

Direct the device in such a way that the radar signal reaches the lowest vessel level. Hence it is possible to detect the complete vessel volume.



**Tip:**

The easiest way to align the device is with the optional swivelling holder. Determine the suitable inclination angle and check the alignment with the alignment aid in the adjustment app on the device.

Alternatively, the angle of inclination can be determined using the following drawing and table. It depends on the measuring distance "d" and the distance "a" between vessel centre and mounting position.

Check the alignment with a suitable level or water level.

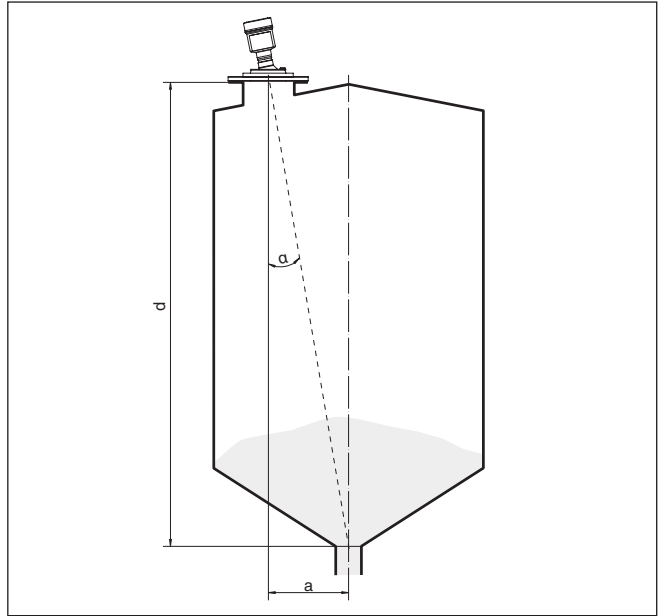


Fig. 31: Determination of the angle of inclination for alignment of NCR-86

Distance d (m)	2°	4°	6°	8°	10°
2	0.1	0.1	0.2	0.3	0.4
4	0.1	0.3	0.4	0.6	0.7
6	0.2	0.4	0.6	0.8	1.1
8	0.3	0.6	0.8	1.1	1.4
10	0.3	0.7	1.1	1.4	1.8
15	0.5	1	1.6	2.1	2.6
20	0.7	1.4	2.1	2.8	3.5
25	0.9	1.7	2.6	3.5	4.4
30	1	2.1	3.2	4.2	5.3
35	1.2	2.4	3.7	4.9	6.2
40	1.4	2.8	4.2	5.6	7.1
45	1.6	3.1	4.7	6.3	7.9
50	1.7	3.5	5.3	7	8.8
60	2.1	4.2	6.3	8.4	10.5
70	2.4	4.9	7.3	9.7	12.2
80	2.8	5.6	8.4	11.1	13.9
90	3.1	6.3	9.4	12.5	15.6
100	3.5	7	10.5	13.9	17.4

Distance d (m)	2°	4°	6°	8°	10°
110	3.8	7.7	11.5	15.3	19.1
120	4.2	8.4	12.5	16.7	20.8

**Example:**

In a vessel 20 m high, the installation position of the device is 1.4 m from the vessel centre.

The necessary angle of inclination of 4° can be read out from this table.

Proceed as follows to adjust the angle of inclination with the swivelling holder:

1. Loosen the terminal screws of the swivel holder by one turn. Use a hexagon socket wrench, size 5.

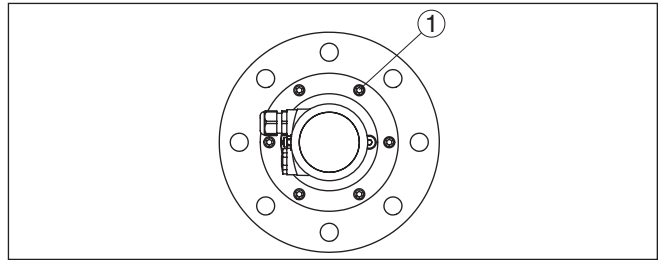


Fig. 32: NCR-86 with swivelling holder

1 Terminal screws (6 pieces)

2. Align the device, check angle of inclination

**Note:**

The max. angle of inclination of the swivelling holder is approx. 10°

3. Re-tighten the terminal screws, max. torque see chapter "Technical data".

**Agitators**

Agitators in the vessel can reflect the measurement signal and thus lead to undesired incorrect measurements.

**Note:**

To avoid this, a false signal suppression should be carried out with the agitators in motion. This ensures that the interfering reflections from the agitators are saved with the blades in different positions.

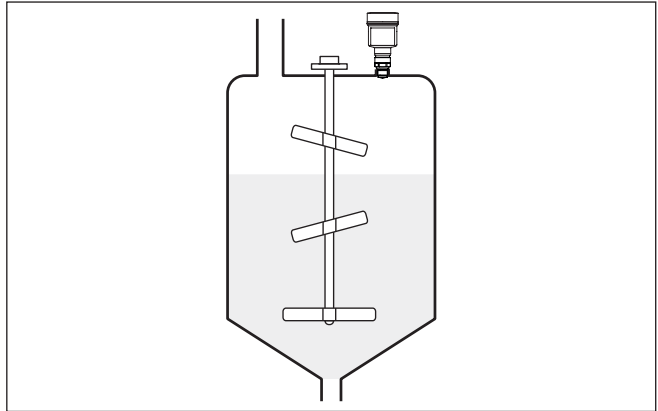


Fig. 33: Agitators

### Foam generation

Through the action of filling, stirring and other processes in the vessel, compact foams which considerably damp the emitted signals may form on the medium surface.



#### Note:

If foams lead to measurement errors, you should use the biggest possible radar antennas or as an alternative, sensors with guided radar.

### Material heaps

Large material heaps are best measured with several instruments, which can be mounted on e.g. traverse cranes. For this type of application it is advantageous to orient the sensor perpendicular to the bulk solid surface.

The sensors do not influence each other.



#### Information:

In these applications, it must be taken into account that the radar sensors are designed for relatively slow level changes. Therefore, when using on moving parts, observe the measurement characteristics of the device (see chapter "Technical data").

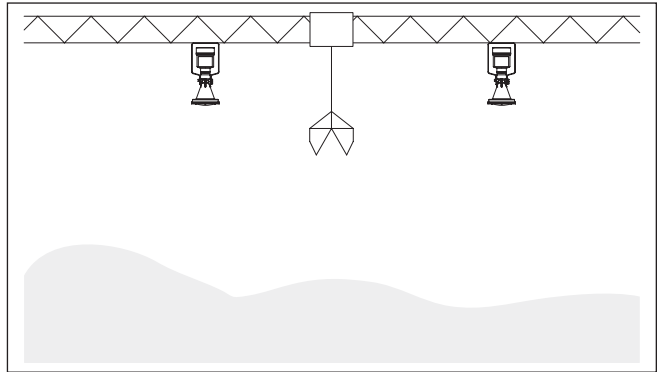


Fig. 34: Radar sensors on traverse crane

### Mounting in multiple chamber silo

The separating walls in multi-chamber silos are often constructed from trapezoidal sheets to ensure the required stability.



**Note:**

If the radar sensor is mounted too close to such a separating wall, considerable interfering reflections may occur. To avoid this, the sensor should be installed at the greatest possible distance from the separating walls.

The optimal installation of the device is therefore on the outer wall of the silo. The sensor should be directed towards the emptying point in the centre of the silo. This can be done, for example, using the mounting strap.

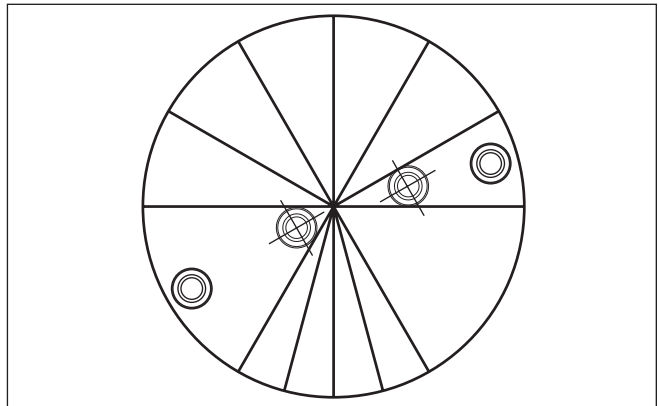


Fig. 35: Installation and orientation in multiple chamber silos

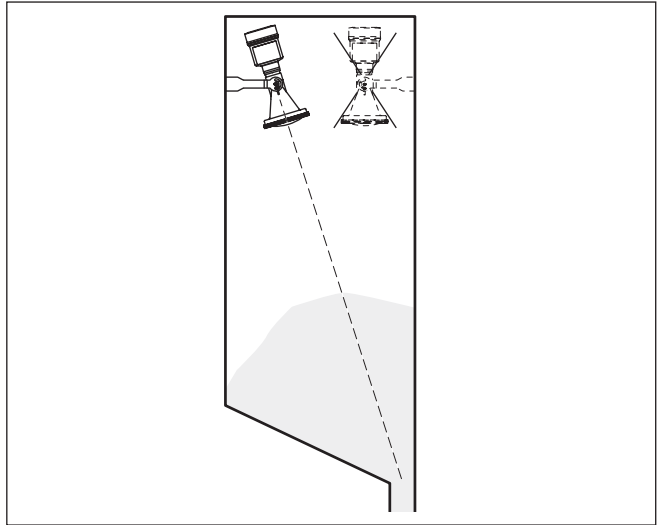


Fig. 36: Installation and orientation in multiple chamber silos

**Dust deposits - Rinsing air connection**

To avoid heavy buildup and dust on the antenna, the device should not be mounted close to the dust exhauster inside the vessel.

To protect the device against buildup, particularly in case of strong condensation, air rinsing is recommended.

**Plastic horn antenna:**

The NCR-86 with plastic horn antenna is optionally available with a rinsing air connection. The mechanical configuration differs according to the flange version, see following graphics.

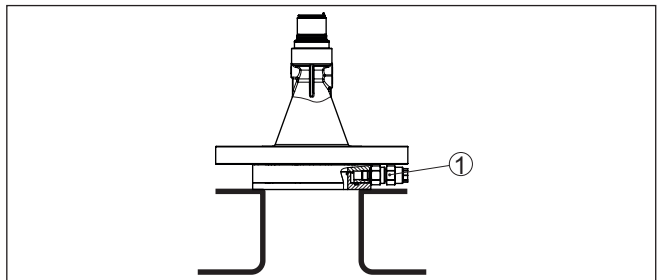


Fig. 37: Plastic horn antenna with compression flange  
1 Rinsing air connection

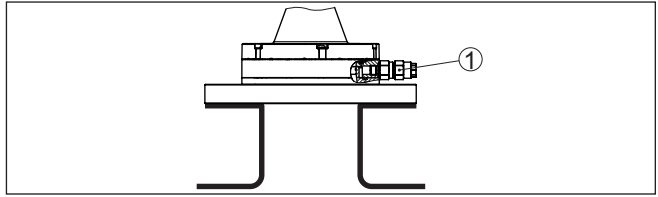


Fig. 38: Plastic horn antenna with adapter flange

1 Rinsing air connection

#### Flange with lens antenna:

The NCR-86 with metal-jacketed lens antenna is equipped with a rinsing air connection as a standard feature, see following graphics.

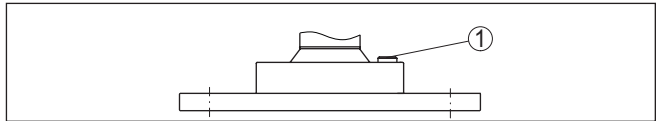


Fig. 39: Metal-jacketed lens antenna

1 Rinsing air connection

You can find details on the rinsing air connection in chapter "*Technical data*".

## 5.6 Measuring rigs - bypass

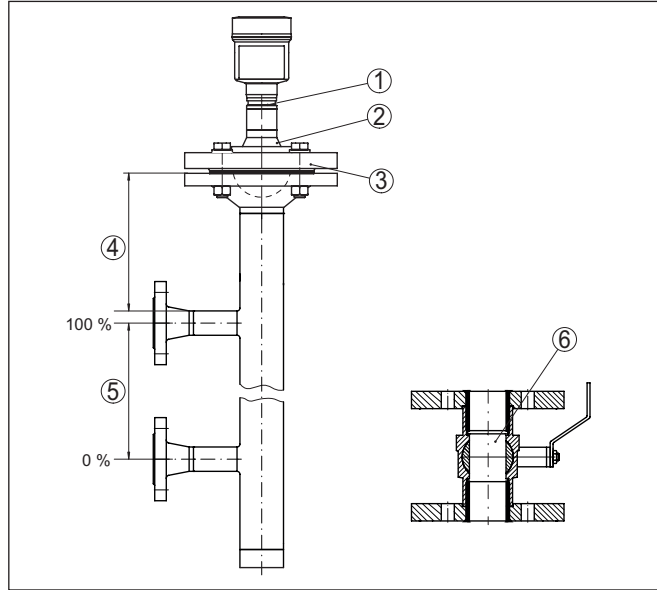
### Measurement in the bypass tube

A bypass consists of a standpipe with lateral process fittings. It is attached to the outside of a container as a communicating vessel.

The NCR-86 in 80 GHz technology is suitable as standard for non-contact level measurement in such a bypass.



**Configuration bypass**



*Fig. 40: Configuration bypass*

- 1 Radar sensor
- 2 Polarisation marking
- 3 Instrument flange
- 4 Distance sensor reference plane to upper tube connection
- 5 Distance of the tube connections
- 6 Ball valve with complete opening

**Instructions and requirements, bypass**

**Instructions of orientation of the polarisation:**

- Note marking of the polarisation on the sensor
- The marking must be in one plane with the tube connections to the vessel

**Instructions for the measurement:**

- The 100 % point may not be above the upper tube connection to the vessel
- The 0 % point may not be below the lower tube connection to the vessel
- Min. distance, sensor reference plane to upper edge of upper tube connection > 200 mm
- The antenna diameter of the sensor should correspond to the inner diameter of the tube
- A false signal suppression with the installed sensor is recommended but not mandatory
- The measurement through a ball valve with unrestricted channel is possible
- The deviation can increase in the area of the connecting tube to the container  $\pm 200$  mm

**Constructional requirements on the bypass pipe:**

- Material metal, smooth inner surface
- In case of an extremely rough tube inner surface, use an inserted tube (tube in tube) or a radar sensor with tube antenna
- Flanges are welded to the tube according to the orientation of the polarisation
- Gap size with junctions  $\leq 1$  mm (for example, when using a ball valve or intermediate flanges with single pipe sections)
- Diameter should be constant over the complete length

**5.7 Measurement setup - Flow****Mounting**

In general, the following must be observed while mounting the device:

- Mounting the sensor on the upstream or inlet side
- Installation in the centre of the flume and vertical to the liquid surface
- Distance to the overfall orifice or Venturi flume
- Distance to the max. height of the orifice or flume for optimum accuracy:  $> 250$  mm (9.843 in)<sup>6)</sup>
- Requirements from approvals for flow measurement, e.g. MCERTS

**Flume****Predefined curves:**

A flow measurement with these standard curves is very easy to set up, as no dimensional information of the flume is required.

- Palmer-Bowlus flume ( $Q = k \times h^{1.86}$ )
- Venturi, trapezoidal weir, rectangular flume ( $Q = k \times h^{1.5}$ )
- V-Notch, triangular overfall ( $Q = k \times h^{2.5}$ )

**Channel with dimensions according to ISO standard:**

When selecting these curves, the dimensions of the flume must be known and entered via the assistant. As a result, the accuracy of the flow measurement is higher than with the specified curves.

- Rectangular flume (ISO 4359)
- Trapezoidal flume (ISO 4359)
- U-shaped flume (ISO 4359)
- Triangular overfall thin-walled (ISO 1438)
- Rectangular flume thin-walled (ISO 1438)
- Rectangular weir broad crown (ISO 3846)

**Flow formula:**

If the flow formula of your flume is known, you should select this option, as the accuracy of the flow measurement is highest here.

- Flow formula:  $Q = k \times h^{\text{exp}}$

<sup>6)</sup> The value given takes into account the block distance. At smaller distances, the measuring accuracy is reduced, see "Technical data".

**Manufacturer definition:**

If you use a Parshall flume from the manufacturer ISCO, this option must be selected. This gives you a high accuracy of flow measurement with easy configuration.

Alternatively, you can also take over Q/h table values provided by the manufacturer here.

- ISCO-Parshall-Flume
- Q/h table (assignment of height with corresponding flow in a table)

**Tip:**

Detailed project planning data can be found at the channel manufacturers and in the technical literature.

The following examples serve as an overview for flow measurement.

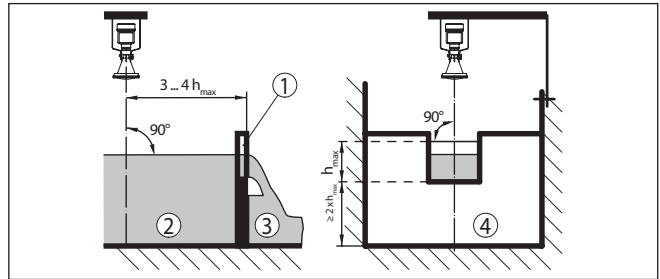
**Rectangular overflow**

Fig. 41: Flow measurement with rectangular flume:  $h_{max} = \text{max. filling of the rectangular flume}$

- 1 Overfall orifice (side view)
- 2 Upstream water
- 3 Tailwater
- 4 Overfall orifice (view from tailwater)

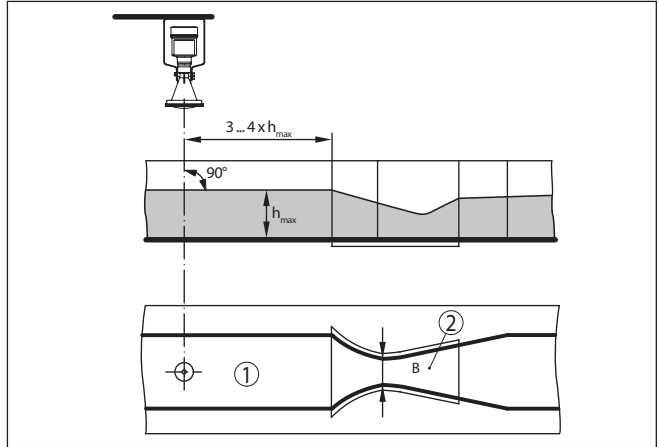
**Khafagi-Venturi flume**

Fig. 42: Flow measurement with Khafagi-Venturi flume:  $h_{max.}$  = max. filling of the flume; B = tightest constriction in the flume

- 1 Position sensor
- 2 Venturi flume

## 6 Connecting to power supply

### 6.1 Preparing the connection

#### Safety instructions

Always keep in mind the following safety instructions:

- The electrical connection must only be carried out by trained, qualified personnel authorised by the plant operator.
- If overvoltage surges are expected, overvoltage arresters should be installed.



#### Warning:

Only connect or disconnect in de-energized state.

#### Voltage supply via mains voltage

In this case, the instrument is designed in protection class I. To maintain this protection class, it is absolutely necessary that the ground conductor be connected to the internal ground terminal. Take note of the national installation regulations.

Supply voltage and current output are carried on separate connection cables if reliable separation is required. The supply voltage range can differ depending on the instrument version.

The data for power supply are specified in chapter "*Technical data*".

#### Connection cable

An approved, three-wire installation cable with PE conductor is required for voltage supply with mains voltage.

The 4 ... 20 mA current output is connected with standard two-wire cable without shielding. If electromagnetic interference is expected which is above the test values of EN 61326-1 for industrial areas, shielded cable should be used.

Use cable with round cross section for instruments with housing and cable gland. Use a cable gland suitable for the cable diameter to ensure the seal effect of the cable gland (IP protection rating).

#### Cable glands

##### Metric threads:

In the case of instrument housings with metric thread, the cable glands are screwed in at the factory. They are sealed with plastic plugs as transport protection.



##### Note:

You have to remove these plugs before electrical connection.

##### NPT thread:

In the case of instrument housings with self-sealing NPT threads, it is not possible to have the cable entries screwed in at the factory. The free openings for the cable glands are therefore covered with red dust protection caps as transport protection.



##### Note:

Prior to setup you have to replace these protective caps with approved cable glands or close the openings with suitable blind plugs.

On plastic housings, the NPT cable gland or the Conduit steel tube must be screwed into the threaded insert without grease.

Max. torque for all housings, see chapter "*Technical data*".

### Cable screening and grounding

If shielded cable is required, we recommend connecting the cable screening on both ends to ground potential. In the sensor, the cable screening is connected directly to the internal ground terminal. The ground terminal on the outside of the housing must be connected to the ground potential (low impedance).



In Ex systems, the grounding is carried out according to the installation regulations.

In electroplating plants as well as plants for cathodic corrosion protection it must be taken into account that significant potential differences exist. This can lead to unacceptably high currents in the cable screen if it is grounded at both ends.



#### Note:

The metallic parts of the instrument (process fitting, sensor, concentric tube, etc.) are connected with the internal and external ground terminal on the housing. This connection exists either directly via the conductive metallic parts or, in case of instruments with external electronics, via the screen of the special connection cable.

You can find specifications on the potential connections inside the instrument in chapter "*Technical data*".

## 6.2 Connecting

### Connection technology

The voltage supply and signal output are connected via the spring-loaded terminals in the housing.

Connection to the display and adjustment module or to the interface adapter is carried out via contact pins in the housing.



#### Information:

The terminal block is pluggable and can be removed from the electronics. To do this, lift the terminal block with a small screwdriver and pull it out. When reinserting the terminal block, you should hear it snap in.

### Connection procedure

Proceed as follows:

1. Unscrew the housing lid
2. Loosen compression nut of the cable gland and remove blind plug
3. Remove approx. 10 cm (4 in) of the cable mantle (signal output), strip approx. 1 cm (0.4 in) insulation from the ends of the individual wires
4. Insert the cable into the sensor through the cable entry



Fig. 43: Connection steps 5 and 6

5. Insert the wire ends into the terminals according to the wiring plan



**Information:**

Solid cores as well as flexible cores with wire end sleeves are inserted directly into the terminal openings. In case of flexible cores without end sleeves, press the terminal from above with a small screwdriver, the terminal opening is then free. When the screwdriver is released, the terminal closes again.

6. Check the hold of the wires in the terminals by lightly pulling on them
  7. Connect the cable screening to the internal ground terminal, connect the outer ground terminal to potential equalisation in case of power supply via low voltage
  8. Connect the lead cable for voltage supply in the same way according to the wiring plan, in addition connect the ground conductor to the inner ground terminal when powered with mains voltage.
  9. Tighten the compression nut of the cable entry gland. The seal ring must completely encircle the cable
  10. Screw the housing lid back on
- The electrical connection is finished.



**Information:**

The terminal blocks are pluggable and can be removed from the housing insert. To do this, lift the terminal block with a small screwdriver and pull it out. When inserting the terminal block again, you should hear it snap in.

**6.3 Wiring plan, double chamber housing**



The following illustrations apply to the non-Ex as well as to the Ex d version.

## Electronics compartment

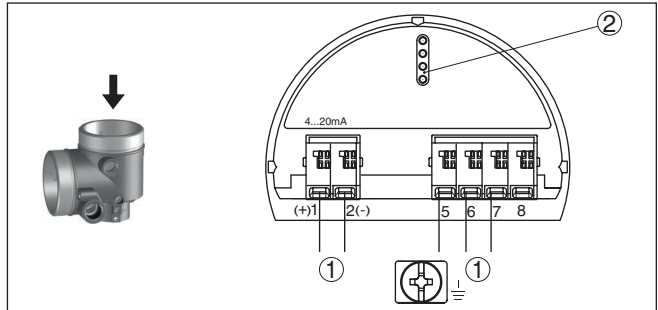


Fig. 44: Electronics compartment - double chamber housing

- 1 Internal connection to the connection compartment
- 2 For display and adjustment module or interface adapter



### Information:

The connection of an external display and adjustment unit is not possible with the Ex d version.

## Connection compartment with mains voltage

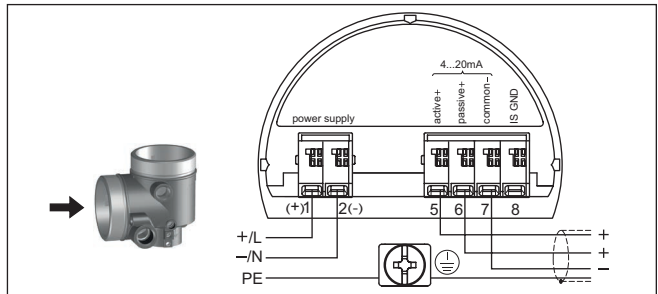


Fig. 45: Connection compartment with double chamber housing with mains voltage

Terminal	Function	Polarity
1	Voltage supply	+/L
2	Voltage supply	-/N
5	4 ... 20 mA output (active)	+
6	4 ... 20 mA output (passive)	+
7	Mass - output	-
8	Function ground when installing according to CSA (Canadian Standards Association)	

## 6.4 Switch-on phase

After connection of the device to power supply, the device first carries out a self-test:



- Internal check of the electronics
- Indication of the status message "*F 105 Determine measured value*" on the display or PC
- The output signal jumps briefly to the set fault current

Then the actual measured value is output to the signal cable. The value takes into account settings that have already been carried out, e.g. default setting.

## 7 Access protection

### 7.1 Bluetooth radio interface

Devices with a Bluetooth radio interface are protected against unwanted access from outside. This means that only authorized persons can receive measured and status values and change device settings via this interface.

#### Bluetooth access code

A Bluetooth access code is required to establish Bluetooth communication via the adjustment tool (smartphone/tablet/notebook). This code must be entered once when Bluetooth communication is established for the first time in the adjustment tool. It is then stored in the adjustment tool and does not have to be entered again.

The Bluetooth access code is individual for each device. It is printed on the device housing with Bluetooth. In addition, it is supplied with the device in the information sheet "*PINs and Codes*". In addition, the Bluetooth access code can be read out via the display and adjustment unit, depending on the device version.

The Bluetooth access code can be changed by the user after the first connection is established. If the Bluetooth access code is entered incorrectly, the new entry is only possible after a waiting period has elapsed. The waiting time increases with each further incorrect entry.

#### Emergency Bluetooth unlock code

The emergency Bluetooth access code enables Bluetooth communication to be established in the event that the Bluetooth access code is no longer known. It can't be changed. The emergency Bluetooth access code can be found in information sheet "*Access protection*". If this document is lost, the emergency Bluetooth access code can be retrieved from your personal contact person after legitimation. The storage and transmission of Bluetooth access codes is always encrypted (SHA 256 algorithm).

### 7.2 Protection of the parameterization

The settings (parameters) of the device can be protected against unwanted changes. The parameter protection is deactivated on delivery, all settings can be made.

#### Device code

To protect the parameterization, the device can be locked by the user with the aid of a freely selectable device code. The settings (parameters) can then only be read out, but not changed. The device code is also stored in the adjustment tool. However, unlike the Bluetooth access code, it must be re-entered for each unlock. When using the adjustment app, the stored device code is then suggested to the user for unlocking.

#### Emergency device code

The emergency device code allows unlocking the device in case the device code is no longer known. It can't be changed. The emergency device code can also be found on the supplied information sheet "*Access protection*". If this document is lost, the emergency device code can be retrieved from your personal contact person after legiti-

mation. The storage and transmission of the device codes is always encrypted (SHA 256 algorithm).

## 8 Set up with the display and adjustment module

### 8.1 Insert display and adjustment module

The display and adjustment module can be inserted into the sensor and removed again at any time. You can choose any one of four different positions - each displaced by 90°. It is not necessary to interrupt the power supply.

Proceed as follows:

1. Unscrew the housing lid
2. Place the display and adjustment module on the electronics in the desired position and turn it to the right until it snaps in.
3. Screw housing lid with inspection window tightly back on

Disassembly is carried out in reverse order.

The display and adjustment module is powered by the sensor, an additional connection is not necessary.



*Fig. 46: Installing the display and adjustment module in the double chamber housing*



**Note:**

If you intend to retrofit the instrument with a display and adjustment module for continuous measured value indication, a higher lid with an inspection glass is required.

## 8.2 Adjustment system

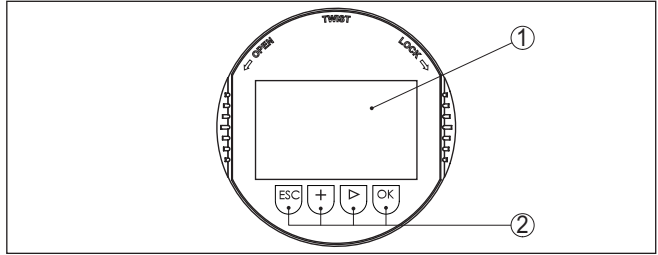


Fig. 47: Display and adjustment elements

- 1 LC display
- 2 Adjustment keys

### Key functions

- **[OK]** key:
  - Move to the menu overview
  - Confirm selected menu
  - Edit parameter
  - Save value
- **[>]** key:
  - Change measured value presentation
  - Select list entry
  - Select menu items
  - Select editing position
- **[+]** key:
  - Change value of the parameter
- **[ESC]** key:
  - Interrupt input
  - Jump to next higher menu

### Adjustment system

The instrument is operated via the four keys of the display and adjustment module. The individual menu items are shown on the LC display. You can find the function of the individual keys in the previous illustration.

### Adjustment system - keys via magnetic pen

With the Bluetooth version of the display and adjustment module you can also adjust the instrument with the magnetic pen. The pen operates the four keys of the display and adjustment module right through the closed lid (with inspection window) of the sensor housing.

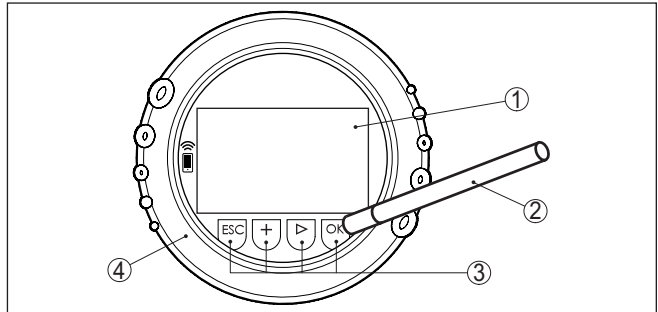


Fig. 48: Display and adjustment elements - with adjustment via magnetic pen

- 1 LC display
- 2 Magnetic pen
- 3 Adjustment keys
- 4 Lid with inspection window

### Time functions

When the **[+]** and **[->]** keys are pressed quickly, the edited value, or the cursor, changes one value or position at a time. If the key is pressed longer than 1 s, the value or position changes continuously.

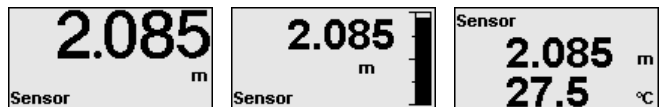
When the **[OK]** and **[ESC]** keys are pressed simultaneously for more than 5 s, the display returns to the main menu. The menu language is then switched over to "English".

Approx. 60 minutes after the last pressing of a key, an automatic reset to measured value indication is triggered. Any values not confirmed with **[OK]** will not be saved.

### 8.3 Measured value indication - Selection of national language

#### Measured value indication

With the **[->]** key you move between three different indication modes:



With the **"OK"** key you move to the menu overview.

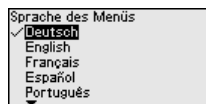


#### Note:

During the first setup, you move with the **"OK"** key to the selection menu "Menu language".

#### Menu language

In this menu item, you can select the menu language for further parameterization.





**Information:**

A later change of the selection is possible via the menu item "Setup, display, menu language".

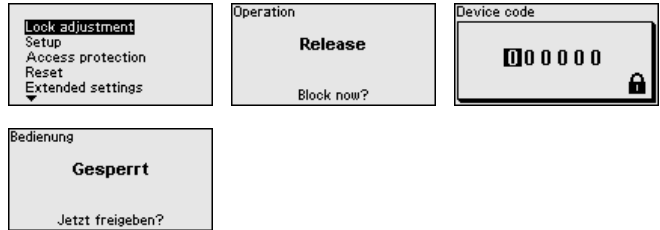
With the "OK" key you move to the menu overview.

## 8.4 Parameterization

### 8.4.1 Lock/Unlock adjustment

**Lock/Unlock adjustment**

In this menu item you safeguard the sensor parameters against unauthorized or unintentional modifications.



When the adjustment is blocked, only the following adjustment functions are possible without entering the device code:

- Select menu items and show data
- Read data from the sensor into the display and adjustment module



**Caution:**

When the adjustment is blocked, the adjustment via other systems is also blocked.

Releasing the sensor adjustment is also possible in any menu item by entering the device code.

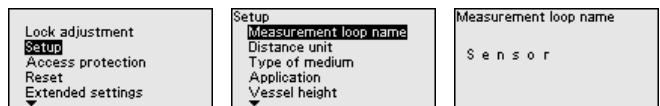
### 8.4.2 Setup

**Measurement loop name**

Here you can assign a suitable measurement loop name.

You can enter names with max. 19 characters. The character set comprises:

- Capital letters from A ... Z
- Numbers from 0 ... 9
- Special characters + - / \_ blanks



**Distance unit**

In this menu item you select the distance unit of the device.

Setup Measurement loop name <b>Distance unit</b> Type of medium Application Vessel height	Distance unit mm <input checked="" type="checkbox"/> m in ft
--	--

### Type of medium

This menu item allows you to adapt the sensor to the different measuring conditions of the media "Liquid" or "Bulk solid".


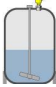

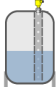
The corresponding application is selected in the following menu item "Application".

Setup Measurement loop name Distance unit <b>Type of medium</b> Application Vessel height	Type of medium Liquids	Type of medium <input checked="" type="checkbox"/> Liquids <input type="checkbox"/> Bulk solid
--	---------------------------	--



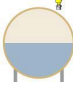



### Application - liquid




With "Liquid", the applications are based on the following features, to which the measuring characteristic of the sensor is adjusted in particular:

Setup Distance unit Type of medium <b>Application</b> Vessel height Distance A (max. value)	Application <input checked="" type="checkbox"/> Storage tank <input type="checkbox"/> Stirred vessel <input type="checkbox"/> Dosing vessel <input type="checkbox"/> Stillling tube <input type="checkbox"/> Vessel/Collecting basin	Application <input type="checkbox"/> Plastic tank <input type="checkbox"/> Mobile plastic tank (IBC) <input checked="" type="checkbox"/> Gauge measurement <input type="checkbox"/> Flow flume <input type="checkbox"/> Pumping station
--	---	--

Application	Vessel	Process/measurement conditions	Further recommendations
Storage tank 	Large volume Upright cylindrical, horizontal round	Slow filling and emptying Smooth medium surface Multiple reflections from dished vessel ceiling Condensation	-
Stirrer vessel 	Large agitator blades of metal Installations like flow breakers, heating spirals Nozzle	Frequent, fast to slow filling and emptying Strongly agitated surface, foam and strong vortex generation Multiple reflections through dished ves- sel ceiling Condensation, buildup on the sensor	False signal sup- pression with running agitator
Dosing vessel 	Small vessels	Frequent and fast filling/emptying Tight installation situation Multiple reflections through dished ves- sel ceiling Product buildup, condensate and foam generation	-
Standpipe 	Standpipe in the vessel	Tubes with different diameters and open- ings for product mixing Welded connections or mechanical joints with very long tubes	Orientation of the polarisation direction False signal sup- pression



Application	Vessel	Process/measurement conditions	Further recommendations
Bypass 	Bypass tube outside the vessel Typical lengths: up to 6 m	Tubes with different diameters Lateral connections to the vessel	Orientation of the polarisation direction False signal suppression
Vessel/Collecting basin 	Large volume Upright cylindrical or rectangular	Slow filling and emptying Smooth medium surface Condensation	-
Plastic tank (measurement through the vessel top) 		Measurement through the tank top, if appropriate to the application Condensation on the plastic ceiling In outdoor facilities, water and snow on vessel top possible	When measuring through the tank top: False signal suppression When measuring through the tank top (outdoor areas): Protective roof for the measuring point
Transportable plastic tank (IBC) 	Small vessels	Material and thickness different Measurement through the vessel top, if appropriate to the application Changed reflection conditions as well as jumps in measured values when changing vessels	When measuring through the tank top: False signal suppression When measuring through the tank top (outdoor areas): Protective roof for the measuring point
Gauge measurement, waters 		Slow gauge change Extreme damping of output signal in case of wave generation Ice and condensation on the antenna possible Floating debris sporadically on the water surface	-
Flow measurement flume/Overfall 		Slow gauge change Smooth to agitated water surface Measurement often from a short distance with the demand for accurate measurement results Ice and condensation on the antenna possible	-

Application	Vessel	Process/measurement conditions	Further recommendations
Pumping station/ Pump shaft 		Partly strongly agitated surface Installations such as pumps and ladders Multiple reflections through flat vessel ceiling Dirt and grease deposits on shaft wall and sensor Condensation on the sensor	False signal suppression
Overflow basin (RÜB) 	Large volume Partly installed underground	Partly strongly agitated surface Multiple reflections through flat vessel ceiling Condensation, dirt deposits on the sensor Flooding of the sensor antenna	-
Demonstration 	Applications for non-typical level measurements, e.g. device tests	Instrument demonstration Object recognition/monitoring Fast position changes of a measuring plate during functional test	-


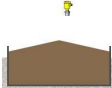
**Application - bulk solid**




With "Bulk solid", the applications are based on the following features, to which the measuring characteristic of the sensor is adjusted in particular:

Setup Distance unit Type of medium <b>Application</b> Vessel height Distance A (max. value)
--

Anwendung <input checked="" type="checkbox"/> Silo (schlank und hoch) <input type="checkbox"/> Bunker (großvolumig) Brecher Halde Demonstration
--

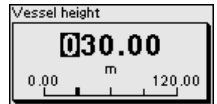
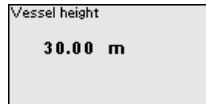
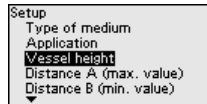
Anwendung <input checked="" type="checkbox"/> Silo (schlank und hoch) <input type="checkbox"/> Bunker (großvolumig) Brecher Halde Demonstration
--

Application	Vessel	Process/measurement conditions	Further recommendations
Silo 	Slim and high Upright cylindrical	Interfering reflections due to weld seams on the vessel Multiple echoes/diffuse reflections due to unfavourable pouring positions with fine grain Varying pouring positions due to outlet funnel and filling cone	False signal suppression Alignment of the measurement to the silo outlet
Bunker 	Large volume	Large distance to the medium Steep angles of repose, unfavourable pouring positions due to outlet funnel and filling cone Diffuse reflections due to structured vessel walls or internals Multiple echoes/diffuse reflections due to unfavourable pouring positions with fine grain Changing signal conditions when large amounts of material slip off	False signal suppression

Application	Vessel	Process/measurement conditions	Further recommendations
Crusher 		Measured value jumps and varying pouring positions, e.g. due to truck filling Fast reaction time Large distance to the medium Interfering reflections from fixtures or protective devices	False signal suppression
Heap 	Large volume Upright cylindrical or rectangular	Measured value jumps, e.g. through heap profile and traverses Large angles of repose, varying pouring positions Measurement near the filling stream Sensor mounting on movable conveyor belts	-
Demonstration 	Applications that are not typical level measurements, e.g. device tests	Instrument demonstration Object recognition/monitoring Measured value verification with higher measuring accuracy with reflection without bulk solids, e.g. via a measuring plate	-

**Vessel height**

Through this selection the operating range of the sensor is adapted to the vessel height. Hence the measurement reliability is increased considerably under different basic conditions.



**Note:**

Regardless of this, the min. adjustment must also be carried out (see following section).

**Adjustment**

Since the radar sensor is a distance measuring instrument, it is the distance from the sensor to the medium surface that is measured. To indicate the actual level, the measured distance must be assigned to a certain height percentage (min./max. adjustment).

During adjustment, enter the respective measuring distance when the vessel is full and empty (see the following examples):

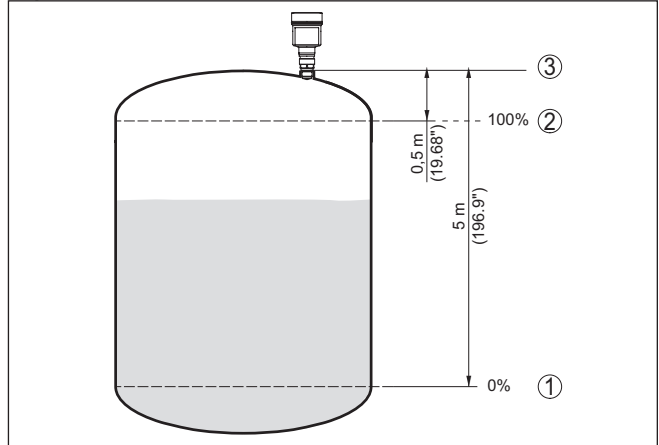
**Liquids:**

Fig. 49: Parameterisation example min./max. adjustment - liquids

- 1 Min. level = max. meas. distance (distance B)
- 2 Max. level = min. meas. distance (distance A)
- 3 Reference plane

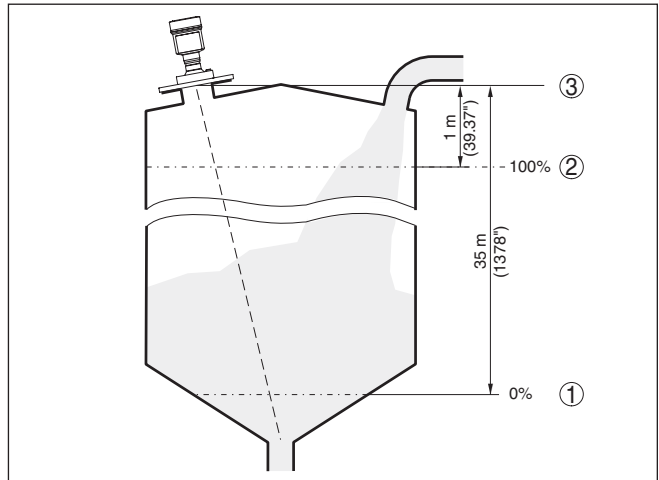
**Bulk solids:**

Fig. 50: Parameterisation example min./max. adjustment - bulk solids

- 1 Min. level = max. meas. distance (distance B)
- 2 Max. level = min. meas. distance (distance A)
- 3 Reference plane

If these values are not known, and adjustment can for example be carried out with the distances of 10 % and 90 %.

The starting point for these distance specifications is always the reference plane, e.g. the sealing surface of the thread or flange.

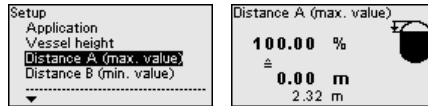
Information on the reference plane can be found in the chapters "Mounting instructions" resp. "Technical data". The actual filling height is then calculated on the basis of these entries.

The actual product level during this adjustment is not important, because the min./max. adjustment is always carried out without changing the product level. These settings can be made ahead of time without the instrument having to be installed.

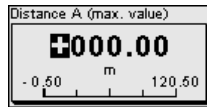
**Distance A (max. value)**

Proceed as follows:

1. Select with **[>]** the menu item Distance A (max. value) and confirm with **[OK]**.



2. Edit the distance value with **[OK]** and set the cursor to the requested position with **[>]**.
3. Adjust the requested distance value for 100 % with **[+]** and store with **[OK]**.

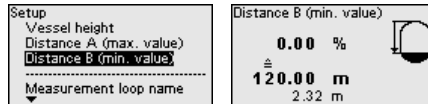


4. Move with **[ESC]** and **[>]** to the min. adjustment

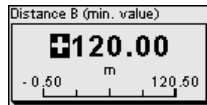
**Distance B (min. value)**

Proceed as follows:

1. Select with **[>]** the menu item "Distance B (min. value)" and confirm with **[OK]**.



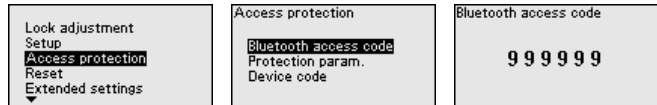
2. Edit the distance value with **[OK]** and set the cursor to the requested position with **[>]**.
3. Set the requested distance value for 0 % (e.g. distance from the sensor up to the vessel bottom) with **[+]** and save with **[OK]**. The cursor now jumps to the distance value.



**8.4.3 Access protection**

**Bluetooth access code**

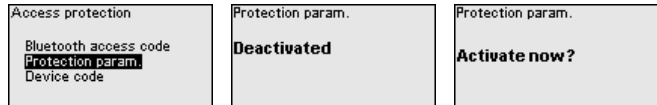
This menu item enables to change the factory-preset Bluetooth access code to your personal Bluetooth access code.

**Note:**

You can find the individual factory Bluetooth access code of the device on the information sheet supplied "*PINs and Codes*".

**Protection of the parameterization**

This menu item allows you to protect the sensor parameters from unwanted or unintended changes. To activate the protection, you must define and enter a 6-digit device code.



When protection is activated, the individual menu items can still be selected and displayed. However, the parameters can no longer be changed.

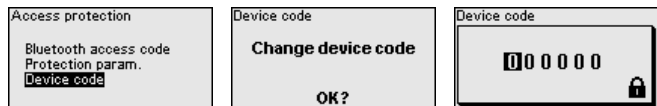
Releasing the sensor adjustment is also possible in any menu item by entering the device code.

**Note:**

When the parameter adjustment is protected, the adjustment via other systems is also blocked.

**Device code**

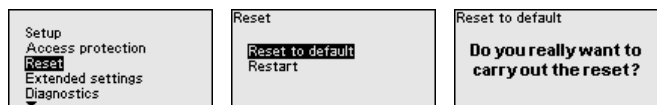
This menu item allows you to change the device code. It is only displayed if the parameterisation protection has been activated beforehand.

**Note:**

The changed device code is also effective for operation via other systems.

**8.4.4 Reset****Reset**

During a reset, parameter settings made by the user are reset to the values of the factory settings. You can find the values in chapter "*Menu overview*".

**Information:**

The language and Bluetooth access code are not reset, a currently running simulation however is aborted.

**Reset - Factory settings:**

- Restoring the factory and order-specific parameter settings
- Resetting a user-set measuring range to the recommended measuring range (see chapter "Technical data")
- Deleting a created false signal suppression, a user-programmable linearisation curve as well as the measured value and echo curve memory<sup>7)</sup>

**Reset - Restart:**

Is used to restart the device without switching off the operating voltage.



**Note:**

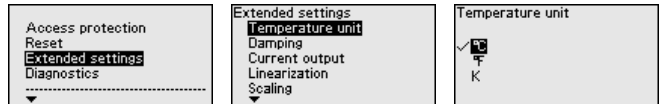
For the duration of the reset, the device changes its behaviour from the normal measuring operation. Therefore, observe the following for downstream systems:

- The current output outputs the set false signal
- The Asset-Management function outputs the message "Maintenance" aus

**8.4.5 Extended settings**

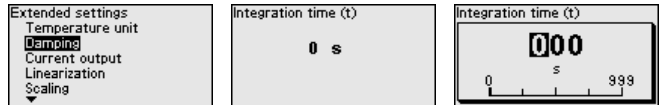
**Temperature unit**

In this menu item you select the temperature unit of the device.



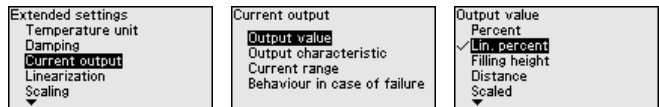
**Damping**

To damp process-dependent measured value fluctuations, set an integration time of 0 ... 999 s in this menu item.



**Current output - Output value**

In this menu item you determine which measured value is output via the respective current output:



The following selection possibilities are available:

- Percent
- Linearized percent
- Filling height
- Distance
- Scaled
- Measurement reliability
- Electronics temperature

<sup>7)</sup> The event and parameter change memories are maintained.

- Measuring rate
- Operating voltage

### Current output - Initial/Final value characteristics

Here you determine which heights of the output value belong to the current values 4 mA and 20 mA .

Current output Output value <b>Initial value characteristics</b> End value characteristics Output characteristic Current range	Initial value characteristics 0 % $\pm$ 0.00 dB	Initial value characteristics 0000.00 dB -999.99 999.99
Current output Output value Initial value characteristics <b>End value characteristics</b> Output characteristic Current range	End value characteristics 100 % $\pm$ 100.00 dB	End value characteristics 100.00 dB -999.99 999.99



#### Note:

This menu item is only available if one of the following output values was selected for the current output:

- Measurement reliability
- Electronics temperature
- Measuring rate
- Operating voltage

### Current output - Output characteristics

In the menu item "Current output - Output characteristic" you select for 0 ... 100 % output value if the characteristic of the current output rises (4 ... 20 mA) or falls (20 ... 4 mA).

Current output Initial value characteristics End value characteristics <b>Output characteristic</b> Current range Behaviour in case of failure	Output characteristic 0...100 % $\pm$ 4...20 mA	Output characteristic <input checked="" type="checkbox"/> 0...100 % $\pm$ 4...20 mA <input type="checkbox"/> 0...100 % $\pm$ 20...4 mA
---	--	--

### Current output - Current range

In the menu item "Current output - Current range" you determine the range of the current output as 4 ... 20 mA or 3.8 ... 20.5 mA.

Current output End value characteristics Output characteristic <b>Current range</b> Behaviour in case of failure	Strombereich 3,8 ... 20,5 mA	Strombereich <input checked="" type="checkbox"/> 3,8 ... 20,5 mA <input type="checkbox"/> 4 ... 20 mA
--	---------------------------------	---

### Current output - Reaction in case of fault

In the menu item "Current output - Behaviour in case of failure" you set the behaviour of the current output in case of failures as  $\leq 3.6$  mA or  $\geq 21$  mA resp. the last measured value.

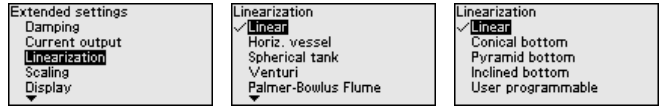
Current output Output characteristic Current range <b>Behaviour in case of failure</b> ----- Output value	Behaviour in case of failure $\leq 3,6$ mA	Behaviour in case of failure <input checked="" type="checkbox"/> $\leq 3,6$ mA <input type="checkbox"/> $\geq 21$ mA Last valid measured value
--	---	---

### Linearisation

Linearisation is required for all vessels where the vessel volume does not increase linearly with the level and the display or output of the volume is desired. The same applies to flow measuring constructions and the relationship between flow and level.



Corresponding linearisation curves are stored for these measurement situations. They indicate the relationship between the percentage level and the vessel volume or flow rate. The selection depends on the selected linearisation type liquid or bulk solid.



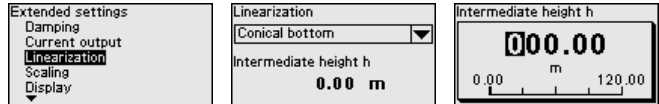
**Note:**

The selected linearisation applies to the measured value indication and the signal output.

Depending on the medium and the vessel bottom, the intermediate height is also entered, see next menu item.

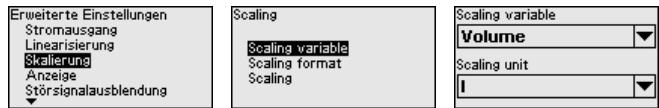
**Linearization - Intermediate height**

The intermediate height is the beginning of the cylindrical area, e.g. for vessels with conical bottoms.



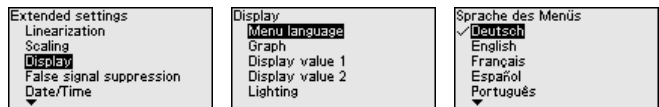
**Scaling**

In the menu item "Scaling" you define the scaling variable and unit as well as the scaling format. By doing so, it is for example the indication of the level measured value for 0 % and 100 % on the display as volume in l is possible.



**Display - Menu language**

This menu item enables the setting of the requested national language.



The following languages are available:

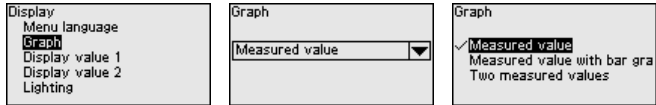
- German
- English
- French
- Spanish
- Portuguese
- Italian
- Dutch
- Russian
- Chinese
- Japanese
- Polish
- Czech

- Turkish

### Display - Presentation

With the **[->]** key you move between three different indication modes:

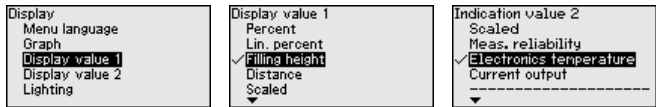
- Measured value in large font
- Measured value and corresponding bargraph presentation
- Measured value as well as second selectable value, e.g. electronics temperature



During the initial setup of an instrument shipped with factory settings, use the **"OK"** key to get to the menu **"National language"**.

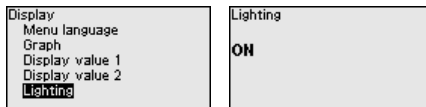
### Display - Displayed value 1, 2

In this menu item, you determine which measured values is displayed.



### Display - Lighting

The display and adjustment module has a backlight for the display. In this menu item you can switch the lighting on or off. You can find the required operating voltage in chapter **"Technical data"**.



#### Note:

If the power supply is currently insufficient, the lighting is temporarily switched off (maintaining the device function).

### False signal suppression

The following circumstances cause interfering reflections and can influence the measurement:

- High mounting nozzles
- Vessel internals such as struts
- Agitators
- Buildup or welded joints on vessel walls

A false signal suppression detects, marks and saves these false signals to ensure that they are ignored in the level measurement.



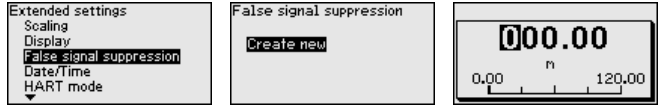
#### Note:

The false signal suppression should be done with the lowest possible level so that all potential interfering reflections can be detected.

#### Create new:

Proceed as follows:

1. Select with **[->]** the menu item "False signal suppression" and confirm with **[OK]**.



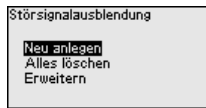
2. Confirm 2-times with **[OK]** and enter the actual distance from the sensor to the product surface.
3. All interfering signals in this range are detected by the sensor and stored after being confirmed with **[OK]**.



**Note:**

Check the distance to the medium surface, because if an incorrect (too large) value is entered, the existing level will be saved as a false signal. The level would then no longer be detectable in this area.

If a false signal suppression has already been saved in the sensor, the following menu window appears when selecting "False signal suppression":



**Delete all:**

An false signal suppression that has already been created is completely deleted.

→ This is useful if the applied false signal suppression no longer matches the metrological conditions of the vessel.

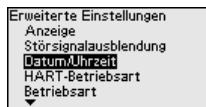
**Extend:**

A false signal suppression that has already been created is extended. The distance to the medium surface of the created false signal suppression is displayed. This value can now be changed and the false signal suppression can be extended to this area.

→ This is useful if a false signal suppression was carried out when the level was too high and thus not all false signals could be detected.

**Date/Time**

In this menu item, the internal clock of the sensor is set to the desired time.



**Note:**

The device is set to CET (Central European Time) at the factory.

**HART mode**

In this menu item you specify the HART mode and enter the address for multidrop mode.

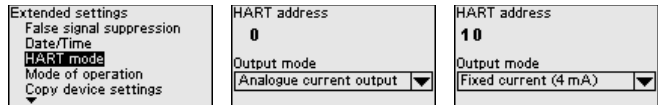
**HART address 0:**

In the menu item "Output mode" the "Analogue current output" is displayed and a 4 ... 20 mA signal output.

**HART address deviation from 0:**

In the menu item "Output mode" "Fixed current (4 mA)" is displayed and independent of the actual level a fixed 4 mA signal output. The level is output digitally via the HART signal.

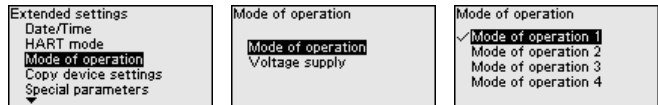
In the mode "Fixed current" up to 63 sensors can be operated on one two-wire cable (Multidrop operation). An address between 0 and 63 must be assigned to each sensor.

**Mode**

This menu item contains operational settings of the sensor.

**Mode:**

Country or region-specific settings for the radar signals are determined via the operating mode.



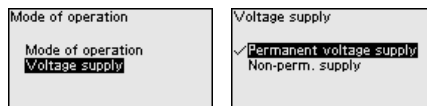
- Mode 1: EU, Albania, Andorra, Azerbaijan, Australia, Belarus, Bosnia and Herzegovina, Canada, Liechtenstein, Moldavia, Monaco, Montenegro, New Zealand, Northern Macedonia, Norway, San Marino, Saudi Arabia, Serbia, Switzerland, Turkey, Ukraine, United Kingdom, USA
- Mode of operation 2: Brazil, Japan, South Korea, Taiwan, Thailand
- Mode of operation 3: India, Malaysia, South Africa
- Mode of operation 4: Russia, Kazakhstan

**Note:**

Depending on the operating mode, metrological properties of the device can change (see chapter "Technical data, input variable").

**Voltage supply:**

The power supply determines whether the sensor is in operation permanently or only in accordance with certain requirements.



**Copy instrument settings** The following functions are available:



**Load from sensor:**

Store data from sensor in the display and adjustment module.

**Write to sensor:**

Store data from display and adjustment module in the sensor

The following device settings are copied:

- Measurement loop name
- Application
- Units
- Adjustment
- Damping
- Current output
- Linearisation
- Scaling
- Indication
- PV adjustment
- Mode
- Diagnostic behaviour

The copied data are permanently saved in an EEPROM memory in the display and adjustment module and remain there even in case of power failure. From there, they can be written into one or more sensors or kept as backup for a possible electronics exchange.



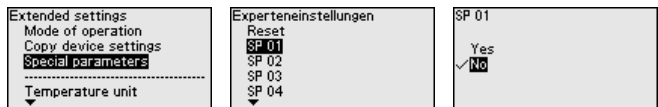
**Note:**

Before the data are saved in the sensor, a safety check is carried out to determine if the data match the sensor. In the process the sensor type of the source data as well as the target sensor are displayed. If the data do not match, a fault message is outputted or the function is blocked. The data are saved only after release.

**Special parameters**

Special parameters are used to adapt the sensor to special requirements. However, this is only necessary in rare cases.

However, only change the special parameters after consulting our service staff.



The special parameters can be reset to factory settings with "Reset".



**Note:**

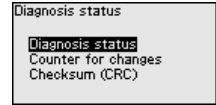
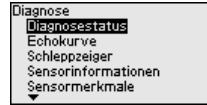
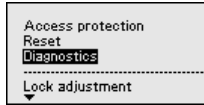
The special parameters are described in a separate section at the end of the chapter "Parameter adjustment".

**8.4.6 Diagnostics**

**Diagnosis status**

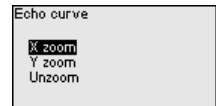
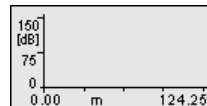
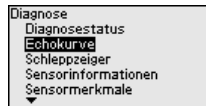
The following is displayed in this menu item:

- Diagnosis status (device status OK or error messages)
- Change counter (number of the parameter changes)
- Current checksum CRC (checksum for plausibility of the set parameters) with date of the last change
- APL-Link-Quality



## Echo curve

The "Echo curve" shows the signal strength of the echoes over the measuring range in dB. This enables an evaluation of the quality of the measurement.



The selected curve is continuously updated. A submenu with zoom functions is opened with the **[OK]** key:

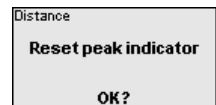
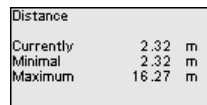
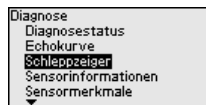
- "X-Zoom": Zoom function for the meas. distance
- "Y-Zoom": 1, 2, 5 and 10x signal magnification in "dB"
- "Unzoom": Reset the presentation to the nominal measuring range without magnification

## Measured values/peak indicator

The following min./max. values saved by the sensor are displayed in the menu item "Measured values/Peak indicator":

- Distance
- Measurement reliability
- Measuring rate
- Electronics temperature
- Operating voltage

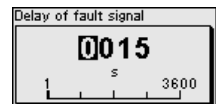
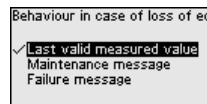
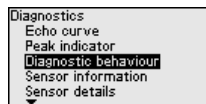
The **[OK]** key opens a reset function in the respective peak indicator window:



With the **[OK]** key, the peak indicator are reset to the actual measured values.

## Diagnostic behaviour

In this menu item, you define what the signal output outputs in the event of an echo loss. For this purpose, the time after an echo loss until a fault message is selected.



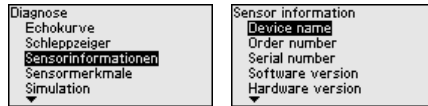
**Sensor information**

In this menu item the following information of the instrument can be read out:

- Device name
- Order and serial number
- Hardware and software version
- Device Revision
- Factory calibration date

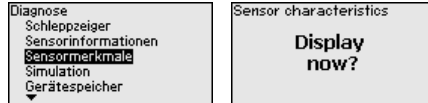
as well as additionally depending on the device version:

- Instrument address
- Loop Current Mode
- Fieldbus Profile Rev.
- Expanded Device Type
- Sensor acc. to SIL
- Sensor acc. to WHG
- Bustype ID



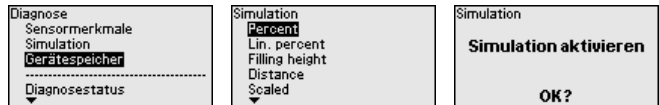
**Sensor characteristics**

The menu item "*Sensor characteristics*" delivers sensor characteristics such as approval, process fitting, seal, measuring range etc.



**Simulation**

In this menu item you can simulate measured values via the current output. This allows the signal path to be tested, e.g. through down-stream indicating instruments or the input card of the control system.



Select the requested simulation variable and set the requested value.



**Caution:**

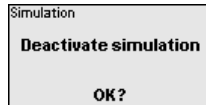
During simulation, the simulated value is output as 4 ... 20 mA current value and as digital HART signal. The status message within the context of the asset management function is "*Maintenance*".



**Note:**

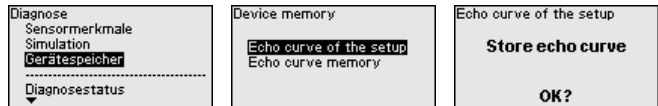
The sensor terminates the simulation automatically after 60 minutes.

To deactivate the simulation manually in advance, you have to push the **[ESC]** key and confirm the message with the **[OK]** key.



## Device memory

The menu item Device memory offers the following functions:



### Echo curve of the setup:

With the function "*Echo curve of the setup*" it is possible to store the echo curve at the time of the setup. Storage should be carried out at the lowest possible level.



#### Note:

This is generally recommended, even mandatory, for using the asset management functionality.

### Echo curve memory:

The function "*Echo curve memory*" allows up to ten individual echo curves to be stored, for example to detect the measurement behaviour of the sensor in different operating conditions.

## 8.4.7 Special parameters

### SP01 - Activate measuring range start limiting

Measuring range start limiting is activated here. The appropriate distance value is set in the special parameter SP02.

→ Jumps in the measured value to a changing false signal in the close range can thus be prevented.



#### Note:

However, activation also means that the sensor no longer accepts the level echo in the event of overflowing above the measuring range begin. A measured value jump to a multiple echo may occur here.

### SP02 - Manual limitation of the measuring range begin

Here, an individual limitation of the measuring range begin takes place independent of the 100 % adjustment. The entered distance value in "*m*" must always be between the sensor reference point and the maximum level.

→ Echoes between the sensor reference point and this value will not be detected.

### SP03 - Reliability on the vessel bottom resp. the measuring range

This is an additional distance value "*m*" that is added to the special parameter SP24 to reliably detect the zero point in case of insufficient reflections at the bottom of the vessel.

→ The echo detection below the 0 % adjustment is intended to support the reliable detection of an echo when the vessel is completely empty.

### SP04 - Correction of the propagation speed

This parameter in "%" is used for correction of a running time shift or a modified spreading speed of the radar signal.



→ This compensates for measurement deviations due to longer distances in standpipes or a higher permittivity of the atmosphere in the vessel (e.g. for gases and vapours especially at high pressures).

**SP05/06 - Factor for noise averaging rising/falling**

The noise averaging is a temporal, floating average value formation of all signals received by the sensor. The set factor determines the number of averaged echo curves as a Basis 2 exponent (example: factor 2 corresponds to the averaging of  $2^2 [= 4]$  echo curves).

→ Used for false signals caused by sporadic echoes, e.g. from agitator blades. The false signals are given a lower relevance or amplitude by a larger value of SP05. They are thus more strongly suppressed in their evaluation.

→ Use for level echoes with changing amplitude, e.g. due to a turbulent medium surface. The level echoes receive a greater relevance or constant amplitude through a larger value of SP06. They are thus increased in their evaluation.

**Note:**

A higher factor for noise averaging can lead to a longer reaction time or a delay of the measured value update.

**SP07 - Deactivate filter function "Smooth raw value curve"**

This parameter is always switched on ex-factory. It acts as a digital filter over the raw value curve depending on the selected application.

→ In principle, it causes an improvement in measurement reliability.

**Note:**

Therefore, switching off only makes sense in very special applications that need to be clarified.

**SP08 - Offset detection curve for echo analysis**

The detection curve runs above the echo curve with a defined distance (offset). Only the echoes that exceed the detection curve are detected and processed.

This special parameter in "*dB*" influences the sensitivity of the device against all echoes in the measuring range.

→ An increase of the dB value reduces the sensitivity of the echo detection and signal analysis.

**Note:**

This affects the level echo to the same extent. Therefore, the application is only used with very strong false signals and simultaneously good reflection properties of the medium.

**SP09 - Minimum measurement reliability for level echo selection**

The measurement reliability is the difference between echo amplitude and detection curve. This parameter defines the required min. measurement reliability in "*dB*" an echo must have within the focusing range to be accepted as level echo.

→ By entering a minimum measurement reliability, false signals below this value are not accepted as a level echo.

**SP10 - Additional reliability of false signal storage**

This parameter increases the already created false signal suppression by the input value in "*dB*" over the entire, stored false signal

range. It is used when it is expected that false signals such as those from product buildup, condensate formation or agitators will increase in amplitude.

→ An increase of the value avoids that such a false signal is accepted as level echo.



**Note:**

An increase is useful for very heavily fluctuating or amplitude-increasing false signals. It is advised against reducing the value of the default setting.

**SP12 - Activate "Summarize echoes" function**

This function is used to activate and select the function "Summarize echoes". It consists of the individual parameters "SP13 - Amplitude difference with function "Summarize echoes"" and "SP14 - Echo distance for function "Summarize echoes"".

→ This helps to suppress measured value jumps resulting from material cones or emptying hoppers in bulk solids applications when filling and emptying.

**SP13 - Amplitude difference in "Summarize echoes" function**

This parameter in "dB" determines how great the maximum amplitude difference between two adjacent echoes may be in order to summarize them.

**SP14 - Echo distance for "Summarize echoes" function**

This parameter in "m" entered here determines how great the distance between the end of the first echo and the start of the second echo may be at the maximum in order for them to be summarized.

**SP15 - Activate "First large echo" function**

When this parameter is activated, the first echo not saved as a false echo with sufficiently great amplitude is selected as a product echo.

→ This is useful for very large multiple reflections by e.g. a round vessel lid.

**SP16 - Minimum amplitude "First large echo"**

This parameter in "dB" determines how much smaller the useful echo amplitude may be compared to the largest echo so that it is evaluated as the first large echo and thus as a product echo

→ Up to this value, a relatively weak reflection signal of the medium is thus output as a measured value.

**SP17 - Wide focussing range**

This parameter determines the measuring window width "m" around the currently measured level echo. Only within this focusing range are changes (location, amplitude, number of echoes) accepted for evaluating the current level.

→ If this value is increased, very rapid level changes, e.g. due to collapsing material heaps or surge-like filling/emptying, are accepted even in an extended range.

**SP18 - Minimum measurement reliability outside focussing range**

The measurement reliability is the difference in "dB" between echo amplitude and detection curve. This parameter defines the required min. measurement reliability an echo must have outside the focusing range to be accepted as useful echo.

→ This is useful to obtain the measured value also in case of sporadic loss of the level signal, e. g. with foam generation.

**SP19 - Time for opening the focussing range**

If no more reflection can be detected within the focussing range, a measuring window opens. This parameter defines the time in "s" until it opens. This can be the case, for example, in the event of a level change without an evaluable reflection signal or in the event of an echo outside the focussing range with a greater useful echo probability.

→ As a result, on reaching this echo with high useful echo probability, this is evaluated as a useful echo and output as the current level.

**SP22 - Measured value offset**

The reference plane for the measurement with radar sensors is the lower edge of the flange or the sealing surface of the thread. The sensors are calibrated to this reference plane at the factory. This parameter enables an adaptation of this factory setting, e.g. to subsequently attached mounting facilities such as adapter flanges, threaded adapters, etc.

→ A possible offset error (constant error of the measured distance over the entire measuring range) is compensated for by this input.

**SP24 - Factor for additional reliability at the measuring range end**

This value in "%" is additional safety below the 0 % adjustment related to the measuring range.

→ It supports the detection of an echo when the vessel is completely empty, even with unfavourable vessel bottom shapes.

**SP HART - HART signal**

This parameter serves to activate/deactivate the HART signal in the output.

## 8.5 Save parameter adjustment data

**On paper**

We recommended writing down the adjustment data, e.g. in this instructions manual, and archiving them afterwards. They are thus available for multiple use or service purposes.

**In the display and adjustment module**

If the instrument is equipped with a display and adjustment module, the parameter adjustment data can be saved therein. The procedure is described in menu item "*Copy device settings*".

## 9 Set up with Smartphone/tablet

### 9.1 Preparations

#### System requirements

Make sure that your smartphone/tablet meets the following system requirements:

- Operating system: iOS 13 or newer
- Operating system: Android 5.1 or newer
- Bluetooth 4.0 LE or newer

Download the adjustment app from the "Apple App Store", "Google Play Store" or "Baidu Store" to your smartphone or tablet.

Make sure that the Bluetooth function of the display and adjustment module is activated. For this, the switch on the bottom side must be set to "On".

Factory setting is "On".

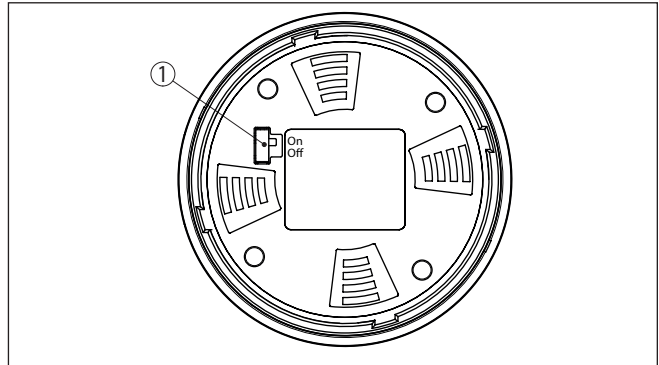


Fig. 51: Activate Bluetooth

- 1 Switch  
 On = Bluetooth active  
 Off = Bluetooth not active

#### Connecting

### 9.2 Connecting

Start the adjustment app and select the function "Setup". The smartphone/tablet searches automatically for Bluetooth-capable instruments in the area.

The message "Connecting ..." is displayed.

The devices found are listed and the search is automatically continued.

Select the requested instrument in the device list.

#### Authenticate

When establishing the connection for the first time, the operating tool and the sensor must authenticate each other. After the first correct authentication, each subsequent connection is made without a new authentication query.

**Enter Bluetooth access code**

For authentication, enter the 6-digit Bluetooth access code in the next menu window. You can find the code on the information sheet "*Pins and Codes*" in the device packaging.

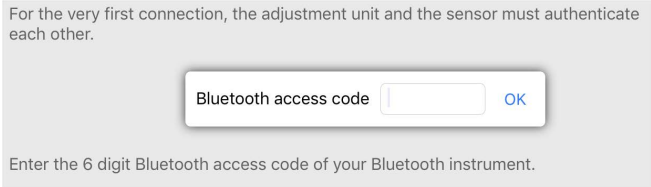


Fig. 52: Enter Bluetooth access code



**Note:**

If an incorrect code is entered, the code can only be entered again after a delay time. This time gets longer after each incorrect entry.

The message "*Waiting for authentication*" is displayed on the smartphone/tablet.

**Connected**

After connection, the sensor adjustment menu is displayed on the respective adjustment tool.

If the Bluetooth connection is interrupted, e.g. due to a too large distance between the two devices, this is displayed on the adjustment tool. The message disappears when the connection is restored.

**Change device code**

Parameter adjustment of the device is only possible if the parameter protection is deactivated or the adjustment released. When delivered, parameter protection is deactivated by default and can be activated at any time.

It is recommended to enter a personal 6-digit device code. To do this, go to menu "*Extended functions*", "*Access protection*", menu item "*Protection of the parameter adjustment*".

**9.3 Parameter adjustment**

**Enter parameters**

The sensor adjustment menu is divided into two areas, which are arranged next to each other or one below the other, depending on the adjustment tool.

- Navigation section
- Menu item display

The selected menu item can be recognized by the colour change.

Enter the requested parameters and confirm via the keyboard or the editing field. The settings are then active in the sensor.

Close the app to terminate connection.

## 10 Menu overview

### 10.1 Functions and adjustment possibilities

#### Lock/Unlock adjustment

Menu item	Parameter	Selection	Default setting
Lock/Unlock adjustment		Lock, unlock	Released

#### Setup

Menu item	Parameter	Selection	Default setting
Measurement loop name			Sensor
Distance unit	Distance unit	mm, m, in, ft	m
Type of medium	Type of medium	Liquid	Liquid <sup>8)</sup>
		Bulk solid	Bulk solid <sup>9)</sup>
Application	Application - liquid	Storage tank, agitator tank, dosing tank, standpipe, tank/collection basin, plastic tank (measurement through tank top), mobile plastic tank (IBC), level measurement in waters, flow measurement flume/overflow, pump station/pump shaft, combined sewer overflow, demonstration	Storage tank <sup>10)</sup>
	Application - bulk solid	Silo, bunker, crusher, heap, demonstration	Silo <sup>11)</sup>
Vessel height			Recommended meas. range, see chapter "Technical data"
Distance A (max. value)	Max. value		Max. adjustment 100 % corresponds to 0,000 m
Distance B (min. value)	Min. value		Min. adjustment 0 % corresponds to 120,000 m

<sup>8)</sup> Plastic horn antenna, thread with integrated antenna system, flange with encapsulated antenna system

<sup>9)</sup> Flange with lens antenna

<sup>10)</sup> Plastic horn antenna, thread with integrated antenna system, flange with encapsulated antenna system

<sup>11)</sup> Flange with lens antenna

**Access protection**

Menu item	Parameter	Selection	Default setting
Access protection	Bluetooth access code	Bluetooth access code	
	Protection of the parameterization	Protection of the parameterization	Deactivated
	Device code	Device code	

**Reset**

Menu item	Parameter	Selection	Default setting
Reset	Reset	Reset to factory settings, Restart	-

**Extended settings**

Menu item	Parameter	Selection	Default setting
Temperature unit		°C, °F, K	°C
Damping	Integration time	0 ... 999 s	0 s
Current output	Output value	Percent, linearized percent, filling height, distance, scaled, measurement reliability, electronics temperature, measuring rate, operating voltage	Percent
	Output characteristics	0 ... 100 % correspond to 4 ... 20 mA	0 ... 100 % correspond to 4 ... 20 mA
		0 ... 100 % correspond to 20 ... 4 mA	
	Current range	4 ... 20 mA	4 ... 20 mA
3.8 ... 20.5 mA			
	Reaction when malfunctions occur	$\leq 3.6$ mA, $\geq 21$ mA, last valid measured value	$\leq 3.6$ mA
Linearisation	Linearization type - liquid	Linear, cylindrical tank, spherical tank, Venturi, trapezoidal weir, rectangular weir, Palmer-Bowlus flume, V-Notch, triangular overflow	Linear
	Linearization type - bulk solids	Linear, conical bottom, pyramid bottom, sloping bottom	Linear
	Intermediate height "h"		
Scaling	Scaling size	Scaling size (dimensionless, mass, volume, height, pressure, flow, others)	Dimensionless
		Scaling unit (unit selection depending on scaling size, user-defined)	-
	Scaling format	#, #.#, #.##, #.###, #.####	#
	Scaling	Scaling	100 % correspond to 0 % correspond to

Menu item	Parameter	Selection	Default setting
Indication	Menu language	German, English, French, Spanish, Portuguese, Italian, Dutch, Russian, Chinese, Japanese, Turkish, Polish, Czech	Language is set with the first operation.
	Presentation	One measured value, measured value and bargraph, two measured values	One measured value
	Displayed values 1, 2	Percent, linearized percent, filling height, distance, scaled, measurement reliability, electronics temperature, current output, current output 2	Percent
	Backlight	On, Off	On
False signal suppression	False signal suppression	Create new, expand, delete all	-
Date/Time	Date/Time	Date	Actual date
		Format: 24 h, 12 h	24 h
		Time	Actual time
HART mode	HART address	0 ... 63	0
	Output mode	Analogue current output with HART, fix current (4 mA) with HART	Analogue current output with HART
Mode	Mode	Mode 1: EU, Albania, Andorra, Azerbaijan, Australia, Belarus, Bosnia and Herzegovina, Canada, Liechtenstein, Morocco, Moldavia, Monaco, Montenegro, New Zealand, Northern Macedonia, Norway, San Marino, Saudi Arabia, Serbia, Switzerland, Turkey, Ukraine, United Kingdom, USA Mode of operation 2: Brazil, Japan, South Korea, Taiwan, Thailand Mode of operation 3: India, Malaysia, South Africa Mode 4: Russia	Mode 1
		Voltage supply	Permanent voltage supply Not permanent voltage supply
	Copy instrument settings		Read from sensor, store in sensor
Special parameters	See separate menu overview at the end of the chapter "Menu overview" of the operating instructions.		

## Reset

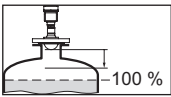
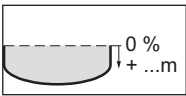
Menu item	Parameter	Selection	Default setting
Reset	Reset	Reset to factory settings, Restart	-



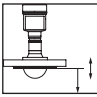
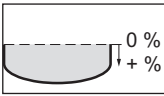
**Diagnostics**

Menu item	Parameter	Selection/Display	Default setting
Diagnosis status	Diagnosis status	Diagnosis status	-
		Change counter	-
Echo curve		Echo curve	Indication of echo curve
Peak indicator	Distance	Current value, min. distance, max. distance	Actual value
	Measurement reliability	Current value, min. measurement reliability, max. measurement reliability	Actual value
	Measuring rate	Current value, min. meas. rate, max. meas. rate	Actual value
	Electronics temperature	Current value, min. electronics temperature, max. electronics temperature	Actual value
	Operating voltage	Current value, min. operating voltage, max. operating voltage	Actual value
Diagnostic behaviour	Behaviour with echo loss	Last measured value, maintenance message, fault signal	Last measured value
	Time until fault signal	Time until fault signal	
Sensor information		Device name, order number, serial number, hardware/software version, Device Revision, factory calibration date, MAC address, Expanded Device, Type	-
Sensor characteristics			Configuration features
Simulation	Measured value	Percent, linearized percent, filling height, distance, scaled, measurement reliability, electronics temperature, measuring rate, operating voltage, current output, current output 2	Percent
Device memory	Echo curve of the setup	Save echo curve of setup	-
	Echo curve memory	Echo curve memory	

**10.2 Special parameters**

Parameter	Designation	Presentation	Default setting
SP1, SP2	Activate measuring range start limiting Manual limiting of measuring range start		Deactivated 0.000 m
SP3	Safety on the vessel bottom or measuring range end		1.000 m

Parameter	Designation	Presentation	Default setting
SP4	Correction of the propagation speed		0.0 %
SP5, SP6	Factor for noise averaging rising		2
	Factor for noise averaging falling		2
SP7	Deactivate filter function "Smooth raw value curve"		Deactivated
SP8	Offset detection curve for echo analysis		8 dB
SP9	Minimum measurement reliability for level echo selection		0 dB
SP10	Additional reliability for false signal storage		3 dB
SP12	Activate "Summarize echoes" function		Deactivated
SP13	Amplitude difference in "Summarize echoes" function		12 dB
SP14	Echo distance for "Summarize echoes" function		0.500 m
SP15	Activate function measurement of the "first large echo"		Deactivated
SP16	Minimum amplitude function "First large echo"		12 dB
SP17	Wide focussing range		240 m
SP18	Minimum measurement reliability outside focussing range		6 dB
SP19	Time for opening the focussing range		0 s

Parameter	Designation	Presentation	Default setting
SP22	Measured value offset		0.000 m
SP24	Factor for additional reliability at measuring range end		0.0 %
SP HART	Activate/Deactivate HART		Activated
SP SIL	Activate/Deactivate SIL		Activated <sup>12)</sup> Deactivated <sup>13)</sup>

<sup>12)</sup> SIL versions

<sup>13)</sup> Non-SIL versions (cannot be activated)

## **11 Set up with other systems**

### **11.1 DD adjustment programs**

Device descriptions as Enhanced Device Description (EDD) are available for DD adjustment programs such as, for example, AMS™ and PDM.

### **11.2 Field Communicator 375, 475**

Device descriptions for the instrument are available as EDD for parameterisation with Field Communicator 375 or 475.

Integrating the EDD into the Field Communicator 375 or 475 requires the "Easy Upgrade Utility" software, which is available from the manufacturer. This software is updated via the Internet and new EDDs are automatically accepted into the device catalogue of this software after they are released by the manufacturer. They can then be transferred to a Field Communicator.

In the HART communication, the Universal Commands and a part of the Common Practice Commands are supported.

## 12 Diagnosis, asset management and service

### 12.1 Maintenance

#### Maintenance

If the device is used properly, no special maintenance is required in normal operation.

#### Precaution measures against buildup

**Note:**

In some applications, product buildup on the antenna system can influence the measurement result.

Depending on the sensor and application, take measures to avoid heavy soiling of the antenna system. If necessary, clean the antenna system in certain intervals.

#### Cleaning

The cleaning helps that the type label and markings on the instrument are visible.

**Note:**

Unsuitable cleaning agents and methods can damage the device. To avoid this, observe the following:

- Use only cleaning agents which do not corrode the housings, type label and seals
- Use only cleaning methods corresponding to the housing protection rating

### 12.2 Measured value and event memory

The instrument has several memories available for diagnostic purposes. The data remain there even in case of voltage interruption.

#### Measured value memory

Up to 100,000 measured values are stored in the sensor in a ring memory. Each entry contains date/time as well as the respective measured value.

Storable values are for example:

- Distance
- Filling height
- Percentage value
- Lin. percent
- Scaled
- Current value
- Measurement reliability
- Electronics temperature

When the instrument is shipped, the measured value memory is active and stores distance, measurement reliability and electronics temperature every 3 minutes.

The requested values and recording conditions are set via the control system with EDD. Data are thus read out and also reset.

#### Event memory

Up to 500 events are automatically stored with a time stamp in the sensor (non-deletable). Each entry contains date/time, event type, event description and value.

Event types are for example:

- Modification of a parameter
- Switch-on and switch-off times
- Status messages (according to NE 107)
- Error messages (according to NE 107)

Data are read out via the control system with EDD.

### Echo curve memory

The echo curves are stored with date and time and the corresponding echo data.

#### Echo curve of the setup:

This is used as reference echo curve for the measurement conditions during setup. Changes in the measurement conditions during operation or buildup on the sensor can thus be recognized. The echo curve of the setup is stored via:

- Control system with EDD
- Display and adjustment module

#### Further echo curves:

Up to 10 echo curves can be stored in a ring buffer in this memory section. Additional echo curves are stored via:

- Control system with EDD

## 12.3 Asset Management function

The instrument features self-monitoring and diagnostics according to NE 107 and VDI/VDE 2650. In addition to the status messages in the following tables there are more detailed error messages available under the menu item "Diagnostics" via the respective adjustment module.

### Status messages

The status messages are divided into the following categories:

- Failure
- Function check
- Out of specification
- Maintenance required

and explained by pictographs:

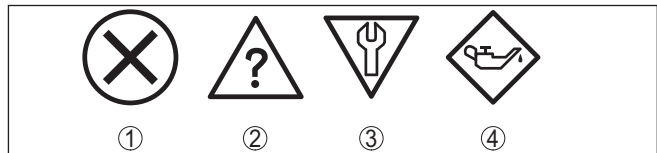


Fig. 53: Pictographs of the status messages

- 1 Failure - red
- 2 Out of specification - yellow
- 3 Function check - orange
- 4 Maintenance required - blue

**Malfunction (Failure):**

Due to a malfunction in the instrument, a fault signal is output.

This status message is always active. It cannot be deactivated by the user.

**Function check:**

The instrument is being worked on, the measured value is temporarily invalid (for example during simulation).

This status message is inactive by default.

**Out of specification:**

The measured value is unreliable because an instrument specification was exceeded (e.g. electronics temperature).

This status message is inactive by default.

**Maintenance required:**

Due to external influences, the instrument function is limited. The measurement is affected, but the measured value is still valid. Plan in maintenance for the instrument because a failure is expected in the near future (e.g. due to buildup).

This status message is inactive by default.

**Failure**

<b>Code Text message</b>	<b>Cause</b>	<b>Rectification</b>	<b>DevSpec State in CMD 48</b>
F013 no measured value available	Sensor does not detect an echo during operation Antenna system dirty or defective	Check or correct installation and/or parameter settings Clean or exchange process component or antenna	Byte 5, Bit 0 of Byte 0 ... 5
F017 Adjustment span too small	Adjustment not within specification	Change adjustment according to the limit values (difference between min. and max. $\geq 10$ mm)	Byte 5, Bit 1 of Byte 0 ... 5
F025 Error in the linearization table	Values are not continuously rising, for example illogical value pairs	Check linearization table Delete table/Create new	Byte 5, Bit 2 of Byte 0 ... 5
F036 No operable software	Failed or interrupted software update	Repeat software update Check electronics version Exchanging the electronics Send instrument for repair	Byte 5, Bit 3 of Byte 0 ... 5
F040 Error in the electronics	Hardware defect	Exchanging the electronics Send instrument for repair	Byte 5, Bit 4 of Byte 0 ... 5
F080 General software error	General software error	Disconnect operating voltage briefly	Byte 5, Bit 5 of Byte 0 ... 5

<b>Code</b> <b>Text message</b>	<b>Cause</b>	<b>Rectification</b>	<b>DevSpec</b> <b>State in CMD 48</b>
F105 Determine measured value	The instrument is still in the switch-on phase, the measured value could not yet be determined	Wait for the end of the switch-on phase  Duration up to approx. 3 minutes depending on the version and parameter settings	Byte 5, Bit 6 of Byte 0 ... 5
F113 Communication error	EMC interference	Remove EMC influences	Byte 4, Bit 4 of Byte 0 ... 5
F125 Impermissible electronics temperature	Temperature of the electronics in the non-specified range	Check ambient temperature Insulate electronics Use instrument with higher temperature range	Byte 5, Bit 7 of Byte 0 ... 5
F260 Error in the calibration	Error in the calibration carried out in the factory Error in the EEPROM	Exchanging the electronics Send instrument for repair	Byte 4, Bit 0 of Byte 0 ... 5
F261 Error in the instrument settings	Error during setup False signal suppression faulty Error when carrying out a reset	Repeat setup Carry out a reset	Byte 4, Bit 1 of Byte 0 ... 5
F264 Installation/Setup error	Adjustment not within the vessel height/measuring range Max. measuring range of the instrument not sufficient	Check or correct installation and/or parameter settings Use an instrument with bigger measuring range	Byte 4, Bit 2 of Byte 0 ... 5
F265 Measurement function disturbed	Sensor no longer carries out a measurement Operating voltage too low	Check operating voltage Carry out a reset Disconnect operating voltage briefly	Byte 4, Bit 3 of Byte 0 ... 5
F267 No executable sensor software	Sensor cannot start	Exchanging the electronics Send instrument for repair	-
F268 False signal suppression not valid	False signal suppression was applied under other measuring conditions	Create a new false signal suppression	
	No false signal suppression available	Create a new false signal suppression	
F269 Measurement function insecure	Measurement reliability of the level echo too low (change to another echo pending)	Check or correct installation and/or parameter settings	
	Amplitude difference level echo for false signal suppression too low (change to another echo pending)	Check or correct installation and/or parameter settings	
	Amplitude difference level echo to another echo too low (change to another echo pending)	Check or correct installation and/or parameter settings	



**Function check**

Code Text message	Cause	Rectification	DevSpec State in CMD 48
C700 Simulation active	A simulation is active	Finish simulation Wait for the automatic end after 60 mins.	"Simulation Active" in "Standardized Status 0"

**Out of specification**

Code Text message	Cause	Rectification	DevSpec State in CMD 48
S600 Impermissible electronics temperature	Temperature of the processing electronics in the non-specified section	Check ambient temperature Insulate electronics Use instrument with higher temperature range	Byte 23, Bit 0 of Byte 14 ... 24
S601 Overfilling	Level echo in the close range not available	Reduce level 100 % adjustment: Increase value Check mounting socket Remove possible interfering signals in the close range	Byte 23, Bit 1 of Byte 14 ... 24
S603 Impermissible operating voltage	Operating voltage below specified range	Check electrical connection If necessary, increase operating voltage	

**Maintenance**

Code Text message	Cause	Rectification	DevSpec State in CMD 48
M500 Error during the reset "delivery status"	The data could not be restored during the reset to delivery status	Repeat reset Load XML file with sensor data into the sensor	Byte 24, Bit 0 of Byte 14 ... 24
M501 Error in the non-active linearisation table	Hardware error EEPROM	Exchanging the electronics Send instrument for repair	Byte 24, Bit 1 of Byte 14 ... 24
M504 Error at a device interface	Hardware defect	Check connections Exchanging the electronics Send instrument for repair	Byte 24, Bit 4 of Byte 14 ... 24
M505 No echo available	Sensor does not detect an echo during operation Antenna dirty or defective	Clean the antenna Use a more suitable antenna/sensor Remove possible false echoes Optimize sensor position and orientation	Byte 24, Bit 5 of Byte 14 ... 24
M506 Installation/Setup error	Error during setup	Check or correct installation and/or parameter settings	Byte 24, Bit 6 of Byte 14 ... 24

Code Text message	Cause	Rectification	DevSpec State in CMD 48
M507 Error in the instrument settings	Error during setup Error when carrying out a reset False signal suppression faulty	Carry out reset and repeat setup	Byte 24, Bit 7 of Byte 14 ... 24

## 12.4 Echo curve

### 12.4.1 Overview

The echo curve of the connected sensor can be displayed via the adjustment app under the menu item "*Diagnosis*".

The echo curve enables a detailed assessment of the characteristics of a level measurement with the NCR-86.

The following chapters show the basic course of the echo curve and describe the menu functions.

### 12.4.2 Echo curve presentation and description

The desired individual curves are displayed on the screen in the diagram "*Echo curve*". The individual curves can be faded in and out via "*Settings*".

#### Distance and percentage value arrow

The distance arrow marks the level echo detected by the sensor. In the case of an ideal echo (flat, well-reflecting medium surface), it points to the centre of the echo.

→ A "black" arrow means: The level echo is currently visible to the sensor. A "white" arrow means: The level echo has disappeared from the marked position.

#### Echo curve

The echo curve shown in red is the basis for echo detection. It shows the course and amplitude of detected echoes.

→ Considered echoes are marked in green.

#### Detection curve

The detection curve shown in black follows the echo curve. It determines the sensitivity threshold of the sensor and thus in which range echoes are detected.

#### False signal suppression

The false signal suppression shown in blue represents the false signal profile stored in the sensor.

→ Echoes with an amplitude below this curve are marked as false signals.

#### Echo curve of the setup

A high-resolution echo curve stored by the user during setup.

→ It can be used to detect signal changes over the operating time.

#### High resolution

The maximum number of scanning points available in the sensor is displayed.

→ The high-resolution display of the echo curve is necessary for a meaningful assessment of the echo curve.

- Extended presentation area** The entire reading area considered by the sensor, including all securities, is displayed.  
→ The extended presentation area must be selected for a meaningful assessment of the echo curve.
- Focussing range** The focussing range is a measuring window that the radar sensor places symmetrically around the distance of the currently measured level echo.  
→ Only within the focussing range are changes (location, amplitude, number of echoes) accepted for evaluating the current level.
- Echo data of the selected echo** Detected echoes within the measuring range are displayed by means of a green line and two red dots for echo start and end.  
→ For each of these echoes, the echo data is determined.
- Echo curve unfiltered** The green curve corresponds to the echo curve, but without upstream filter functions.  
→ The unfiltered echo curve is not influenced by the application parameters.
- Useful echo history** The curve shown in purple shows the minimum level echo amplitude depending on the distance with a resolution of 0.1 m.

## 12.5 Rectify faults

**Reaction when malfunction occurs** The operator of the system is responsible for taking suitable measures to rectify faults.

- Fault rectification** The first measures are:
- Evaluation of fault messages
  - Checking the output signal
  - Treatment of measurement errors

A smartphone/tablet with the adjustment app offer you further comprehensive diagnostic possibilities. In many cases, the reasons can be determined in this way and faults rectified.

**4 ... 20 mA signal** Connect a multimeter in the suitable measuring range according to the wiring plan. The following table describes possible errors in the current signal and helps to eliminate them:

Error	Cause	Rectification
4 ... 20 mA signal not stable	Fluctuating measured value	Set damping
4 ... 20 mA signal missing	Electrical connection faulty	Check connection, correct, if necessary
	Voltage supply missing	Check cables for breaks; repair if necessary
	Operating voltage too low, load resistance too high	Check, adapt if necessary
Current signal greater than 22 mA, less than 3.6 mA	Sensor electronics defective	Replace device or send in for repair depending on device version

**Treatment of measurement errors**

The below tables show typical examples of application-related measurement errors with liquids. The measurement errors are differentiated according to the following:

- Constant level
- Filling
- Emptying

The images in column "Error pattern" show the real level as a broken line and the level displayed by the sensor as a continuous line.

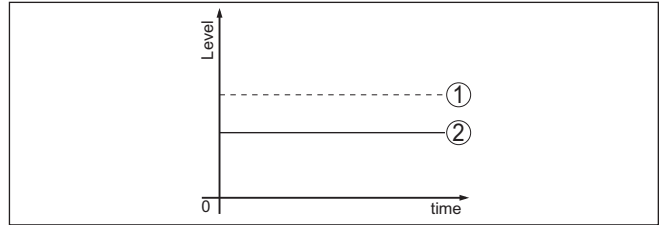


Fig. 54: Display of error images

- 1 Real level
- 2 Level displayed by the sensor



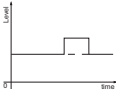
**Note:**

If the output level is constant, the cause could also be the fault setting of the current output to "Hold value".

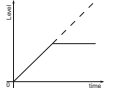
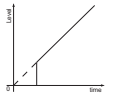
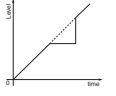
If the level is too low, the reason could be a line resistance that is too high

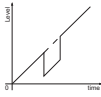
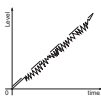
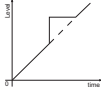
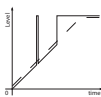
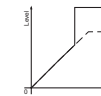
**Measurement error with constant level**

Fault description	Cause	Rectification
Measured value shows a too low or too high level 	Min./max. adjustment not correct	Adapt min./max. adjustment
	Incorrect linearization curve	Adapt linearization curve
	Installation in a bypass tube or standpipe, hence running time error (small measurement error close to 100 %/large error close to 0 %)	Check parameter "Application" with respect to vessel form, adapt if necessary (bypass, standpipe, diameter).
Measured value jumps towards 0 % (liquids only) 	Multiple echo (vessel top, medium surface) with amplitude higher than the level echo.	Check parameter "Application", especially vessel top, type of medium, dished bottom, high dielectric constant, and adapt if necessary.

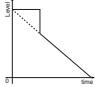
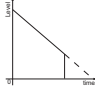
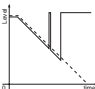
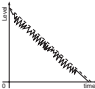
Fault description	Cause	Rectification
<p>Measured value jumps towards 100 %</p> 	<p>Due to the process, the amplitude of the level echo sinks</p> <p>A false signal suppression was not carried out</p> <p>Amplitude or position of a false signal has changed (e.g. condensation, buildup); false signal suppression no longer matches actual conditions.</p>	<p>Carry out a false signal suppression</p> <p>Determine the reason for the changed false signals, carry out false signal suppression, e.g. with condensation.</p>

**Measurement error during filling**

Fault description	Cause	Rectification
<p>Measured value remains unchanged during filling</p> 	<p>False signals in the close range too big or level echo too small</p> <p>Strong foam or vortex generation</p> <p>Max. adjustment not correct</p>	<p>Eliminate false signals in the close range</p> <p>Check measurement situation: Antenna must protrude out of the nozzle, installations</p> <p>Remove contamination on the antenna</p> <p>In case of interferences due to installations in the close range: Change polarisation direction</p> <p>Create a new false signal suppression</p> <p>Adapt max. adjustment</p>
<p>Measured value remains in the area of the bottom during filling</p> 	<p>Echo from the tank bottom larger than the level echo, for example, with products with <math>\epsilon_r &lt; 2.5</math> oil-based, solvents</p>	<p>Check parameters Medium, Vessel height and Floor form, adapt if necessary</p>
<p>Measured value remains momentarily unchanged during filling and then jumps to the correct level</p> 	<p>Turbulence on the medium surface, quick filling</p>	<p>Check parameters, change if necessary, e.g. in dosing vessel, reactor</p>

Fault description	Cause	Rectification
<p>Measured value jumps towards 0 % during filling</p> 	<p>Amplitude of a multiple echo (vessel top - medium surface) is larger than the level echo.</p> <p>The level echo cannot be distinguished from the false signal at a false signal position (jumps to multiple echo).</p> <p>Transverse reflection from an extraction funnel, amplitude of the transverse reflection larger than the level echo</p>	<p>Check parameter "Application", especially vessel top, type of medium, dished bottom, high dielectric constant, and adapt if necessary.</p> <p>In case of interferences due to installations in the close range: Change polarisation direction</p> <p>Chose a more suitable installation position</p> <p>Direct sensor to the opposite funnel wall, avoid crossing with the filling stream.</p>
<p>Measured value fluctuates around 10 ... 20 % (only bulk solids)</p> 	<p>Various echoes from an uneven medium surface, e.g. a material cone</p> <p>Reflections from the medium surface via the vessel wall (deflection)</p>	<p>Check parameter "Material Type" and adapt, if necessary</p> <p>Optimize installation position and sensor orientation</p> <p>Select a more suitable installation position, optimize sensor orientation, e.g. with a swivelling holder</p>
<p>Measured value jumps towards 100 % during filling</p> 	<p>Due to strong turbulence and foam generation during filling, the amplitude of the level echo sinks. Measured value jumps to false signal.</p>	<p>Carry out a false signal suppression</p>
<p>Measured value jumps sporadically to 100 % during filling</p> 	<p>Varying condensation or contamination on the antenna.</p>	<p>Carry out a false signal suppression or increase false signal suppression with condensation/contamination in the close range by editing.</p> <p>With bulk solids, use radar sensor with purging air connection.</p>
<p>Measured value jumps to ≥ 100 % or 0 m distance</p> 	<p>Level echo is no longer detected at close range due to foam generation or interference signals at close range.</p>	<p>Check measuring point: Antenna should protrude out of the threaded mounting socket, possible false echoes through flange socket.</p> <p>Remove contamination on the antenna</p> <p>Use a sensor with a more suitable antenna</p>

**Measurement error during emptying**

Fault description	Cause	Rectification
<p>Measured value remains unchanged in the close range during emptying</p> 	<p>False signal larger than the level echo Level echo too small</p>	<p>Eliminate false signal in the close range. Check: Antenna must protrude from the nozzle. Remove contamination on the antenna In case of interferences due to installations in the close range: Change polarisation direction After eliminating the false signals, the false signal suppression must be deleted. Carry out a new false signal suppression.</p>
<p>Measured value jumps towards 0 % during emptying</p> 	<p>Echo from the tank bottom larger than the level echo, for example, with products with <math>\epsilon_r &lt; 2.5</math> oil-based, solvents</p>	<p>Check parameters Medium type, Vessel height and Floor form, adapt if necessary</p>
<p>Measured value jumps sporadically towards 100 % during emptying</p> 	<p>Varying condensation or contamination on the antenna</p>	<p>Carry out false signal suppression or increase false signal suppression in the close range by editing. With bulk solids, use radar sensor with purging air connection.</p>
<p>Measured value fluctuates around 10 ... 20 % (only bulk solids)</p> 	<p>Various echoes from an uneven medium surface, e.g. an extraction funnel Reflections from the medium surface via the vessel wall (deflection)</p>	<p>Check parameter "Type of medium" and adapt, if necessary. Optimize installation position and sensor orientation.</p>

**Reaction after fault rectification**

Depending on the reason for the fault and the measures taken, the steps described in chapter "Setup" must be carried out again or must be checked for plausibility and completeness.

**12.6 Exchanging the electronics module**

If the electronics module is defective, it can be replaced by the user.



In Ex applications, only instruments and electronics modules with appropriate Ex approval may be used.

If there is no electronics module available on site, the electronics module can be ordered through the agency serving you. The electronics modules are adapted to the respective sensor and differ in signal output or voltage supply.

The new electronics module must be loaded with the default settings of the sensor. These are the options:

- In the factory
- Or on site by the user

In both cases, the serial number of the sensor is needed. The serial numbers are stated on the type label of the instrument, on the inside of the housing as well as on the delivery note.

When loading on site, the order data must first be downloaded from the Internet (see operating instructions "*Electronics module*").

**Information:**

All application-specific settings must be entered again. That's why you have to carry out a fresh setup after exchanging the electronics. If you saved the parameter settings during the first setup of the sensor, you can transfer them to the replacement electronics module. A fresh setup is then not necessary.

**12.7 How to proceed if a repair is necessary**

If a repair should be necessary, please contact your contact person.



## 13 Dismount

### 13.1 Dismounting steps

To remove the device, carry out the steps in chapters "*Mounting*" and "*Connecting to power supply*" in reverse.



**Warning:**

When dismantling, pay attention to the process conditions in vessels or pipelines. There is a risk of injury, e.g. due to high pressures or temperatures as well as aggressive or toxic media. Avoid this by taking appropriate protective measures.

### 13.2 Disposal



Pass the instrument on to a specialised recycling company and do not use the municipal collecting points.

Remove any batteries in advance, if they can be removed from the device, and dispose of them separately.

If personal data is stored on the old device to be disposed of, delete it before disposal.

If you have no way to dispose of the old instrument properly, please contact us concerning return and disposal.

## 14 Certificates, approvals and certifications

### 14.1 Radio licenses

**Radar:**

The device has been tested and approved in accordance with the current edition of the applicable country-specific norms or standards.

The confirmations as well as regulations for use can be found in the document "*Information sheet Radio licenses*" supplied or on our homepage.

### 14.2 Conformity

The device complies with the legal requirements of the applicable country-specific directives or technical regulations. We confirm conformity with the corresponding labelling.

The corresponding conformity declarations can be found on our homepage.

## 15 Supplement

### 15.1 Technical data

#### Note for approved instruments

The technical data in the respective safety instructions which are included in delivery are valid for approved instruments (e.g. with Ex approval). These data can differ from the data listed herein, for example regarding the process conditions or the voltage supply.

All approval documents can be downloaded from our homepage.

#### Materials and weights

##### Materials, wetted parts

Plastic horn antenna

- Adapter flange PP-GF30 black
- Seal, adapter flange FKM (SHS FPM 70C3 GLT), EPDM (COG AP310)
- Focussing lense PP

Thread 316L with integrated antenna system

- Process fitting 316L
- Antenna PEEK
- Seal, antenna system FKM (SHS FPM 70C3 GLT), FFKM (Kalrez 6230, Kalrez 6375 , Perlast G75B) EPDM (A+P 70.10-02)
- Process seal thread DIN 3852-A Klingersil C-4400

Thread PVDF with integrated antenna system

- Process fitting with antenna (consisting of one part) PVDF
- Process seal thread DIN 3852-A FKM

Flange with encapsulated antenna system

- Flange plating, antenna encapsulation PTFE, PFA
- Surface roughness  $R_a < 0.8 \mu\text{m}$

Horn antenna

- Antenna horn 316L, 1.4848
- Impedance cone Ceramic (99.7 %  $\text{Al}_2\text{O}_3$ )
- Seal up to +150 °C FKM (A+P 70.16-06), EPDM (A+P 70.10-02)
- Seal up to +250 °C FFKM (Kalrez 6375 , Perlast G75B)
- Seal up to +450 °C Graphite

Hygienic fitting

- Hygienic antenna encapsulation PEEK
- Surface roughness metallic adapter  $R_a < 0.76 \mu\text{m}$
- Additional process seal depending on the hygienic fitting FKM (PPE V70SW), FFKM (Kalrez 6230, Perlast G74S), EPDM (Freudenberg 291)

Flange with lens antenna

- Process fitting 316L

- Antenna	PEEK
- Seal, antenna system	FKM (SHS FPM 70C3 GLT), FFKM (Kalrez 6375, G75B), EPDM (COG AP302)
Rinsing air connection	
- Flushing ring	PP-GFK
- O-ring seal, purging air connection	FKM (SHS FPM 70C3 GLT), EPDM (COG AP310)
- Reflux valve	316Ti
- Sealing, reflux valve	FKM (SHS FPM 70C3 GLT), EPDM (COG AP310)

**Materials, non-wetted parts**

## Mounting parts

- Antenna cone, plastic horn antenna, compression flange	PBT-GF 30
- Mounting strap, fixing screws mounting strap	316L
- Fixing screws, adapter flange	304

## Housing

- Plastic housing	Plastic PBT (Polyester)
- Aluminium die-cast housing	Aluminium die-casting AlSi10Mg, powder-coated (Basis: Polyester)
- Stainless steel housing	316L
- Cable gland, blind plug cable gland	PA, stainless steel, brass
- Sealing, cable gland	NBR
- Inspection window housing cover	Polycarbonate (UL-746-C listed), glass <sup>14)</sup>
- Ground terminal	316L

## Weights

- Instrument (depending on housing, process fitting and antenna)	approx. 2 ... 17.2 kg (4.409 ... 37.92 lbs)
--	---

**Torques**

## Max. torque, plastic horn antenna

- Mounting screws, mounting strap on sensor housing	4 Nm (2.950 lbf ft)
- Flange screws, compression flange DN 80	5 Nm (3.689 lbf ft)
- Terminal screws, adapter flange - antenna	2.5 Nm (1.844 lbf ft)
- Flange screws, adapter flange DN 100	7 Nm (5.163 lbf ft)

## Max. torque, thread with integrated antenna system

- G $\frac{3}{4}$	30 Nm (22.13 lbf ft)
- G1 $\frac{1}{2}$	200 Nm (147.5 lbf ft)

<sup>14)</sup> Glass with Aluminium and stainless steel housing

- G1½ (with PTFE threaded adapter) 5 Nm (3.688 lbf ft)

**Flange with encapsulated antenna system**

- Torque According to the current standards or at least according to the specifications on the flange.

**Max. torque, hygienic fittings**

- Flange screws DRD connection 20 Nm (14.75 lbf ft)

**Max. torque, version flange with lens antenna**

- Terminal screws for swivelling holder 8 Nm (5.9 lbf ft)

**Max. torque for NPT cable glands and Conduit tubes**

- Plastic housing 10 Nm (7.376 lbf ft)
- Aluminium/Stainless steel housing 50 Nm (36.88 lbf ft)

**Torque housing locking**

- Recommended torque locking screw 1 Nm (1.475 lbf ft)
- Max. torque locking screw 2 Nm (0.738 lbf ft)

---

**Input variable**

---

**Measured variable**

The measured quantity is the distance between the end of the sensor antenna and the medium surface. The reference plane for the measurement and the usable measuring range are dependent on the antenna system.

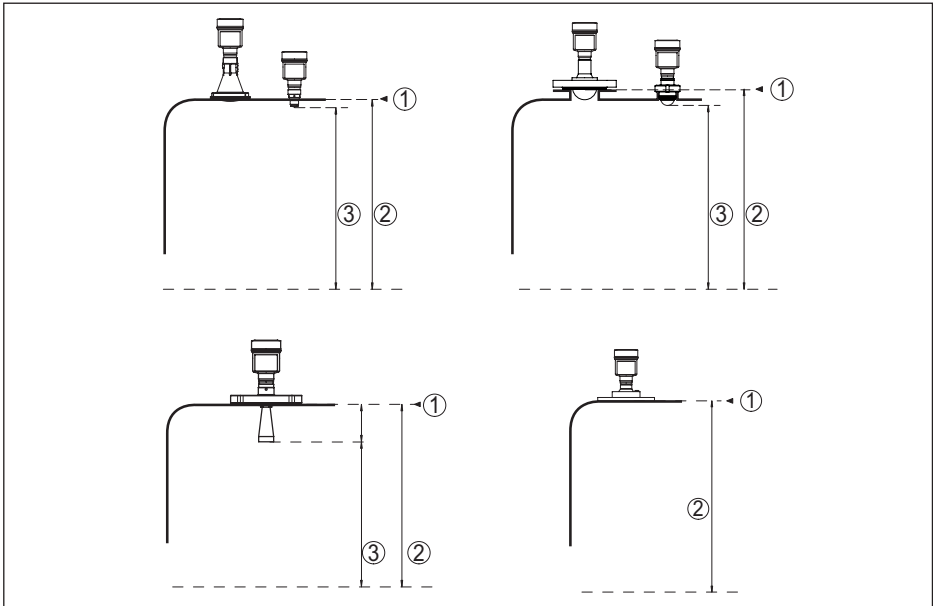


Fig. 55: Data of the input variable

- 1 Reference plane (depending on the antenna system)
- 2 Measured variable, max. measuring range
- 3 Utilisable measuring range (depending on the antenna version)

Max. measuring range 120 m (393.7 ft)

Recommended measuring range, depending on the antenna version and size<sup>15)16)</sup>

Antenna version	Size	Recommended measuring range up to
Plastic horn antenna	DN 80	120 m (393.7 ft)
Thread with integrated antenna system Thread for hygienic adapter	G $\frac{3}{4}$ , $\frac{3}{4}$ NPT	10 m (32.81 ft)
	G1, 1 NPT	20 m (65.62 ft)
	G1 $\frac{1}{2}$ , 1 $\frac{1}{2}$ NPT	30 m (98.42 ft)
Flange with encapsulated antenna system, hygienic fittings	$\geq$ DN 25	20 m (65.62 ft)
	$\geq$ DN 50, 2"	30 m (98.42 ft)
	$\geq$ DN 80, 3"	120 m (393.7 ft)

<sup>15)</sup> With good reflection conditions, larger measuring ranges are also possible.

<sup>16)</sup> The specified values correspond to the default values on delivery



**Deviation (according to DIN EN 60770-1)**

Process reference conditions according to DIN EN 61298-1

- Temperature +18 ... +30 °C (+64 ... +86 °F)
- Relative humidity 45 ... 75 %
- Air pressure 860 ... 1060 mbar/86 ... 106 kPa (12.5 ... 15.4 psig)

Installation reference conditions<sup>20)</sup>

- Min. distance to internal installations > 200 mm (7.874 in)
- Reflector Flat plate reflector
- False reflections Biggest false signal, 20 dB smaller than the useful signal

Deviation with liquids ≤ 1 mm (meas. distance > 0.25 m/0.8202 ft)

Non-repeatability<sup>21)</sup> ≤ 1 mm

Deviation with bulk solids The values depend to a great extent on the application. Binding specifications are thus not possible.

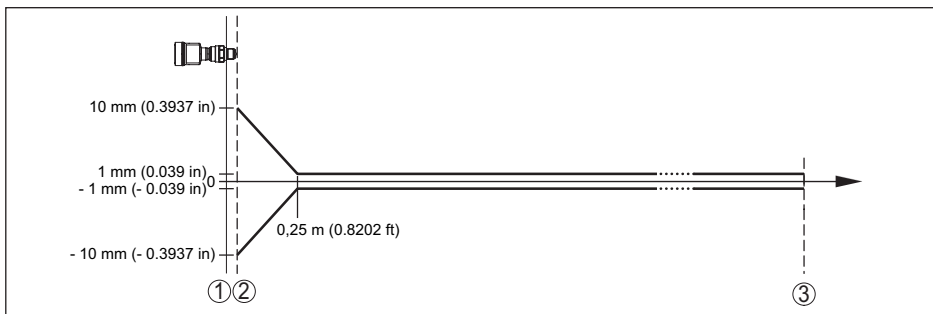


Fig. 56: Deviation under reference conditions (example: thread with integrated antenna system, applies accordingly to all versions)<sup>22)</sup>

- 1 Reference plane
- 2 Antenna edge
- 3 Recommended measuring range

Recommended min. distance for typical bulk solids applications<sup>23)</sup>

- Plastic horn antenna, flange with lens antenna 250 mm (9.843 in)
- Thread with integrated antenna system 500 mm (19.69 in)
- blocking distance 150 mm (5.906 in)

<sup>20)</sup> In case of deviations from reference conditions, the offset due to installation can be up to  $\pm 4$  mm. This offset can be compensated by the adjustment.

<sup>21)</sup> Already included in the meas. deviation

<sup>22)</sup> For operating mode 3 as well as with adjusted measuring range of more than 60 m: point 2  $\pm 20$  mm, from 0.25 m  $\pm 2$  mm

<sup>23)</sup> Depending of the reflective properties of the measured media.



**Variables influencing measurement accuracy<sup>24)</sup>**

**Specifications apply to the digital measured value**

Temperature drift - Digital output < 3 mm/10 K, max. 10 mm  
 – Additional deviation through electro- magnetic interference None

**Specifications apply also to the current output**

Temperature drift - Current output < 0.03 %/10 K or max. 0.3 % relating to the 16.7 mA span  
 Deviation in the current output due to digital/analogue conversion < 15 µA  
 Additional deviation through electromagnetic interference  
 – According to NAMUR NE 21 < 80 µA  
 – According to EN 61326-3-1 < 80 µA  
 – According to IACS E10 (shipbuilding) < 80 µA

**Characteristics and performance data**

Measuring frequency W-band (80 GHz technology)  
 Measuring cycle time<sup>25)</sup> approx. 200 ms  
 Step response time<sup>26)</sup> ≤ 3 s  
 Beam angle<sup>27)</sup>

Version	Larger antenna or process fitting	Beam angle	Liquid	Bulk solid
Plastic horn antenna	DN 80	3°	●	●
Thread with integrated antenna system	G¾, ¾ NPT	14°	●	–
	G1, 1 NPT	10°	●	–
	G1½, 1½ NPT (+250 °C)	10°	●	○
	G1½, 1½ NPT (+150 °C/+200 °C)	7°	●	○
	G1½, 1½ NPT (PVDF)	8°	●	○
Thread for hygienic adapter	G1, 1 NPT	13°	●	–
	G1½, 1½ NPT	8°	●	○

<sup>24)</sup> Determination of the temperature drift acc. to the limit point method

<sup>25)</sup> With operating voltage  $U_b \geq 24$  V DC

<sup>26)</sup> Time span after a sudden distance change from 1 m to 5 m until the output signal reaches 90 % of the final value for the first time (IEC 61298-2). Valid with operating voltage  $U_b \geq 24$  V DC

<sup>27)</sup> Outside the specified beam angle, the energy level of the radar signal is 50% (-3 dB) less.

Version	Larger antenna or process fitting	Beam angle	Liquid	Bulk solid
Flange with encapsulated antenna system, hygienic fittings	≥ DN 25	10°	●	–
	≥ DN 50, 2"	6°	●	○
	≥ DN 80, 3"	3°	●	○
Horn antenna	ø 21 mm	11°	●	○
	ø 26 mm	10°	●	○
	ø 40 mm	7°	●	○
	ø 48 mm	6°	●	○
	ø 75 mm	3°	●	●
Flange with lens antenna	≥ DN 80, 3"	3°	○	●

- *Recommended, typical use*
- *Possible but not typical use*
- *Unintended use*

Emitted HF power (depending on the parameter setting)<sup>28)</sup>

- Average spectral transmission power -3 dBm/MHz EIRP density
- Max. spectral transmission power +34 dBm/50 MHz EIRP density
- Max. power density at a distance of 1 m < 3  $\mu$ W/cm<sup>2</sup>

### Ambient conditions

Ambient, storage and transport temperature -40 ... +80 °C (-40 ... +176 °F)

### Process conditions - Temperature

For the process conditions, please also note the specifications on the type label. The lowest value (amount) always applies.

Version	Antenna material	Process seal	Process temperature (measured on the process fitting)
Plastic horn antenna	PP		-40 ... +80 °C (-40 ... +176 °F)
Thread with integrated antenna system 316L	PEEK	FKM (SHS FPM 70C3 GLT)	-40 ... +150 °C (-40 ... +302 °F)
			-40 ... +200 °C (-40 ... +392 °F)
		FFKM (Kalrez 6230)	-15 ... +150 °C (5 ... +302 °F)
			-15 ... +250 °C (5 ... +482 °F)
		FFKM (Kalrez 6375)	-20 ... +150 °C (-4 ... +302 °F)
			-20 ... +250 °C (-4 ... +482 °F)
FFKM (Perlast G74S, G75B)	-15 ... +150 °C (5 ... +302 °F)		
	-15 ... +250 °C (5 ... +482 °F)		
EPDM (A+P 70.10-02)			-55 ... +150 °C (-67 ... +302 °F)

Version	Antenna material	Process seal	Process temperature (measured on the process fitting)
Thread with integrated antenna system PVDF	PVDF	FKM	-40 ... +80 °C (-40 ... +176 °F)
Flange with encapsulated antenna system	PTFE, PTFE (8 mm)	PTFE	-60 ... +150 °C (-76 ... +302 °F)
			-196 ... +200 °C (-320.8 ... +392 °F)
	PFA (8 mm)	PFA	-60 ... +150 °C (-76 ... +302 °F)
			-60 ... +200 °C (76 ... +392 °F)
Hygienic fittings Thread for hygienic adapter	PEEK	PTFE (with Clamp connection)	-40 ... +150 °C (-40 ... +302 °F)
		FFKM (Kalrez 6230)	-15 ... +150 °C (5 ... +302 °F)
		FFKM (Perlast G74S)	-15 ... +150 °C (5 ... +302 °F)
		FKM (PPE V70SW)	-10 ... +150 °C (-14 ... +302 °F)
		EPDM (Freudenberg 291)	-20 ... +150 °C (-4 ... +302 °F)
Horn antenna	Antenna horn: 316L, impedance cone: PTFE	FFKM (Kalrez 6375)	-20 ... +250 °C (-4 ... +482 °F)
		FFKM (Perlast G75B)	-15 ... +250 °C (5 ... +482 °F)
		FKM (A+P 70.16-06)	-40 ... +150 °C (-40 ... +302 °F)
		EPDM (A+P 70.10-02)	-55 ... +150 °C (-67 ... +302 °F)
Horn antenna - High temperature	Antenna horn: 316L, impedance cone: ceramic (99.7 % Al <sub>2</sub> O <sub>3</sub> )	Graphite	-196 ... +450 °C (-321 ... +842 °F)
Flange with lens antenna	PEEK	FKM (SHS FPM 70C3 GLT)	-40 ... +150 °C (-40 ... +302 °F)
			-40 ... +200 °C (-40 ... +392 °F)
		FFKM (Kalrez 6375)	-20 ... +150 °C (-4 ... +302 °F)
			-20 ... +250 °C (-4 ... +482 °F)
		FFKM (Perlast G75B)	-15 ... +150 °C (5 ... +302 °F)
			-15 ... +250 °C (5 ... +482 °F)
EPDM (COG AP302)	-40 ... +150 °C (-40 ... +302 °F)		

**SIP process temperature** (SIP = Sterilization in place)

Applies to steam-suitable device configuration, i.e. flange with encapsulated antenna system or hygienic fitting.

Vapour stratification up to 2 h                      +150 °C (+302 °F)

<sup>28)</sup> EIRP: Equivalent Isotropic Radiated Power

## Derating, ambient temperature

### Plastic horn antenna

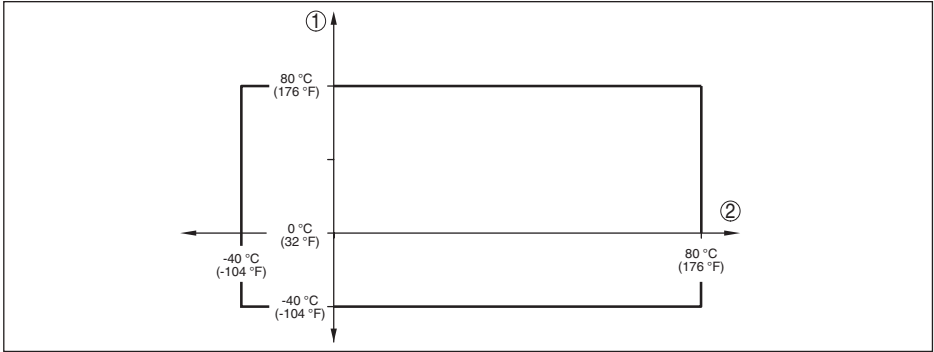


Fig. 57: Derating, ambient temperature, plastic horn antenna

- 1 Ambient temperature
- 2 Process temperature

### Thread with integrated antenna system

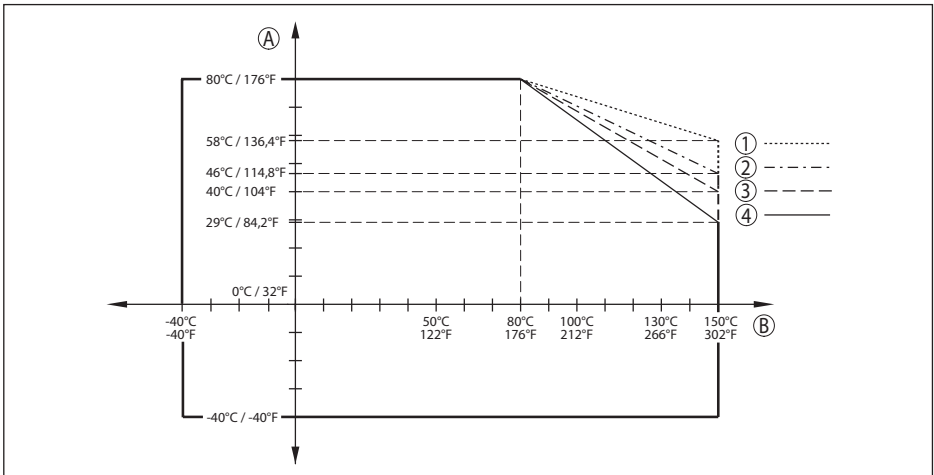


Fig. 58: Derating, ambient temperature, thread with integrated antenna system up to +150 °C (+302 °F)

- A Ambient temperature
- B Process temperature
- 1 Aluminium housing
- 2 Stainless steel housing (precision casting)
- 3 Plastic housing
- 4 Stainless steel housing (electropolished)

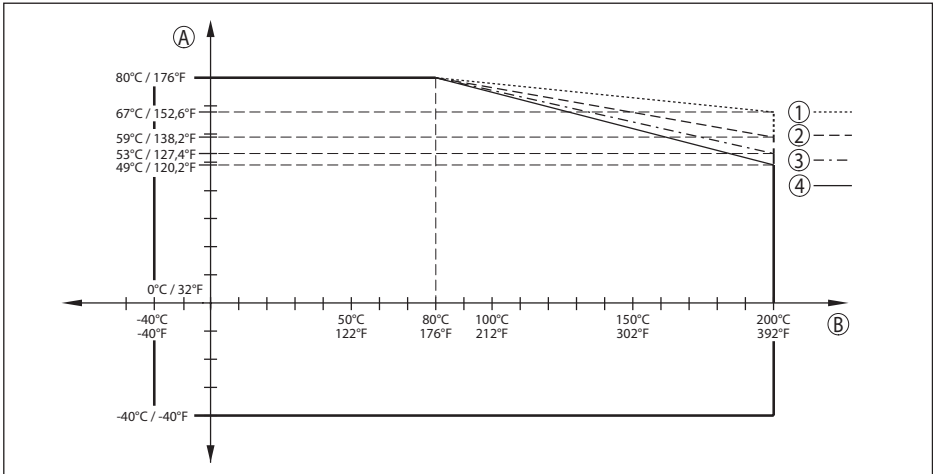


Fig. 59: Derating, ambient temperature, thread with integrated antenna system up to +200 °C (+392 °F)

- A Ambient temperature
- B Process temperature
- 1 Aluminium housing
- 2 Stainless steel housing (precision casting)
- 3 Plastic housing
- 4 Stainless steel housing (electropolished)

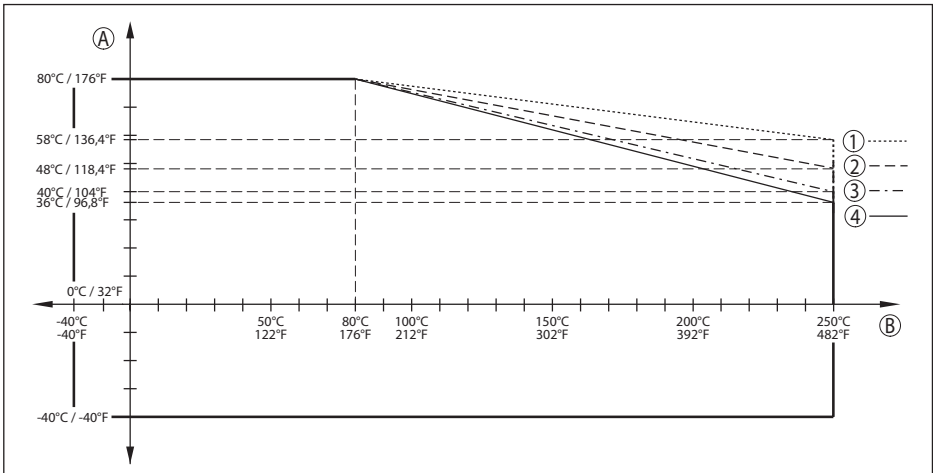


Fig. 60: Derating, ambient temperature, thread with integrated antenna system up to +250 °C (+482 °F)

- A Ambient temperature
- B Process temperature
- 1 Aluminium housing
- 2 Stainless steel housing (precision casting)
- 3 Plastic housing
- 4 Stainless steel housing (electropolished)

**Flange with encapsulated antenna system**

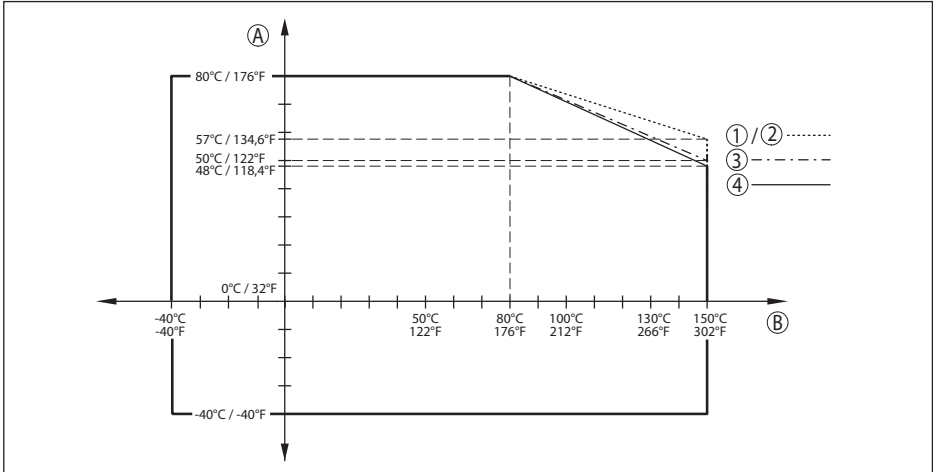


Fig. 61: Derating, ambient temperature, flange with encapsulated antenna system up to +150 °C (+302 °F)

- A Ambient temperature
- B Process temperature
- 1 Aluminium housing
- 2 Stainless steel housing (precision casting)
- 3 Plastic housing
- 4 Stainless steel housing (electropolished)

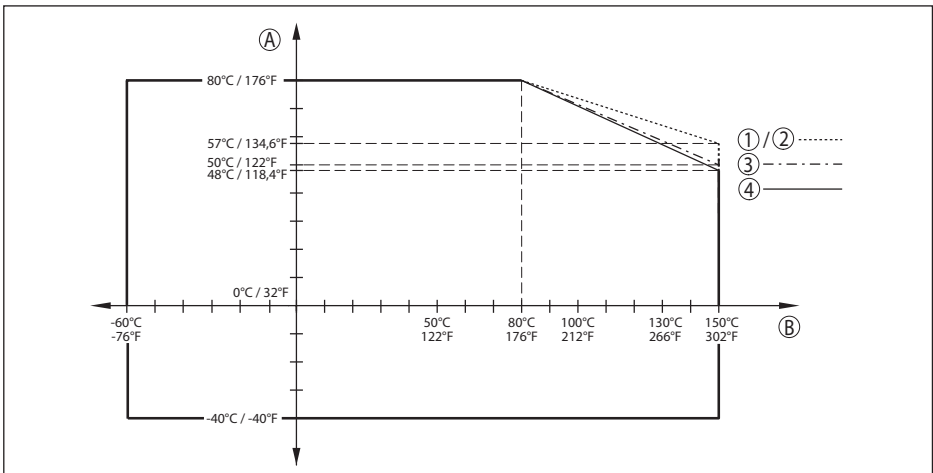


Fig. 62: Derating ambient temperature, flange with encapsulated antenna system -60 ... +150 °C (-76 ... +302 °F)

- A Ambient temperature
- B Process temperature
- 1 Aluminium housing
- 2 Stainless steel housing (precision casting)
- 3 Plastic housing
- 4 Stainless steel housing (electropolished)

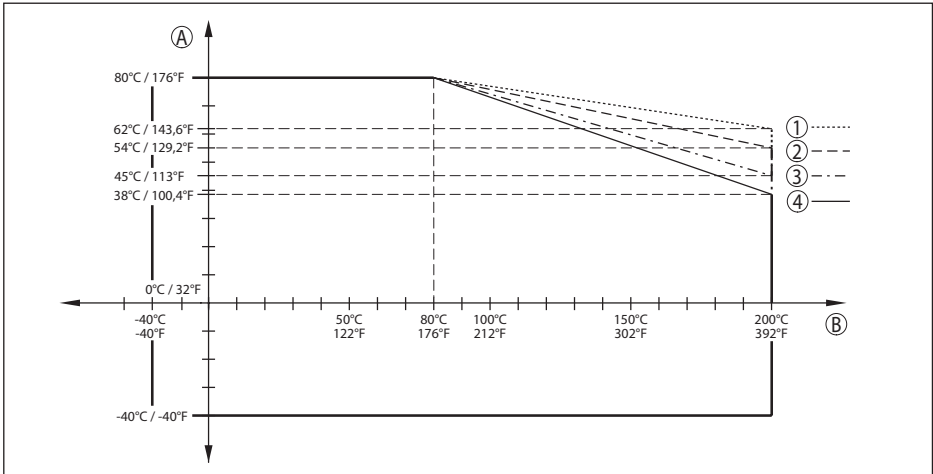


Fig. 63: Derating, ambient temperature, flange with encapsulated antenna system up to +200 °C (+392 °F)

- A Ambient temperature
- B Process temperature
- 1 Aluminium housing
- 2 Stainless steel housing (precision casting)
- 3 Plastic housing
- 4 Stainless steel housing (electropolished)

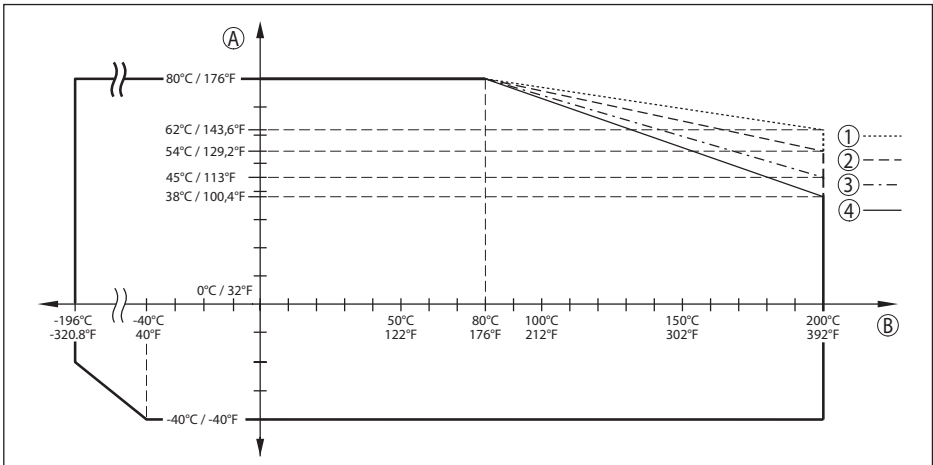


Fig. 64: Derating ambient temperature, flange with encapsulated antenna system -196 ... +200 °C (-320.8 ... +392 °F)

- A Ambient temperature
- B Process temperature
- 1 Aluminium housing
- 2 Stainless steel housing (precision casting)
- 3 Plastic housing
- 4 Stainless steel housing (electropolished)

**Flange with lens antenna**

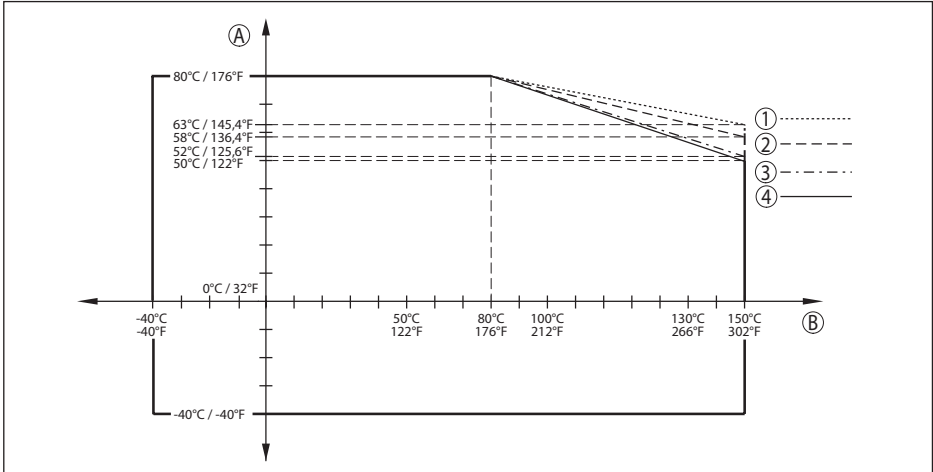


Fig. 65: Derating, ambient temperature, flange with lens antenna up to +150 °C (+302 °F)

- A Ambient temperature
- B Process temperature
- 1 Aluminium housing
- 2 Stainless steel housing (precision casting)
- 3 Plastic housing
- 4 Stainless steel housing (electropolished)

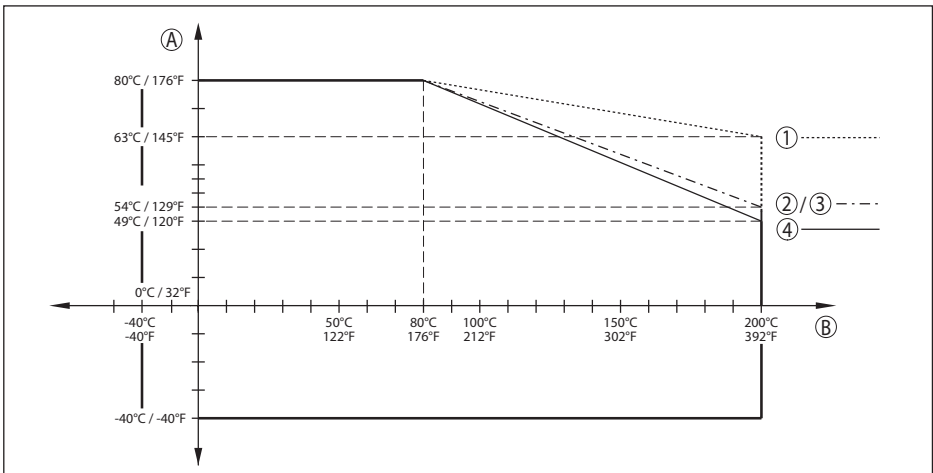


Fig. 66: Derating, ambient temperature, flange with lens antenna up to +200 °C (+392 °F)

- A Ambient temperature
- B Process temperature
- 1 Aluminium housing
- 2 Stainless steel housing (precision casting)
- 3 Plastic housing
- 4 Stainless steel housing (electropolished)



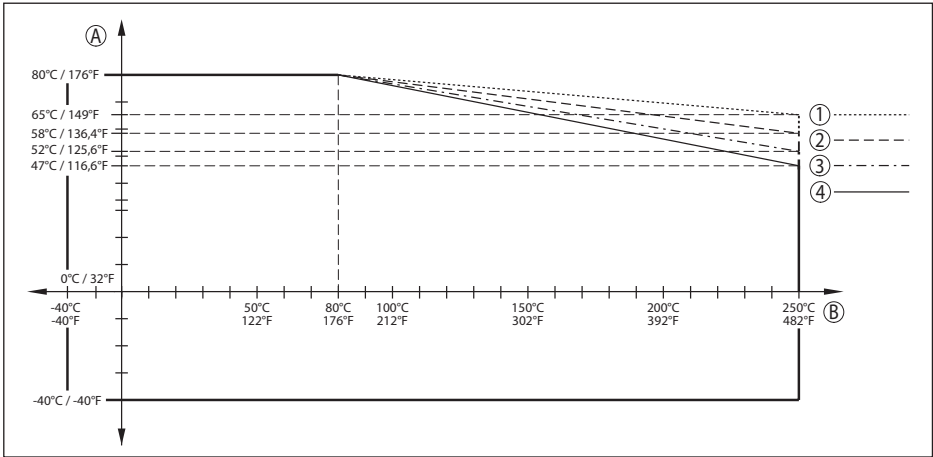


Fig. 67: Derating, ambient temperature, flange with lens antenna up to +250 °C (+482 °F)

- A Ambient temperature
- B Process temperature
- 1 Aluminium housing
- 2 Stainless steel housing (precision casting)
- 3 Plastic housing
- 4 Stainless steel housing (electropolished)

### Hygienic fitting

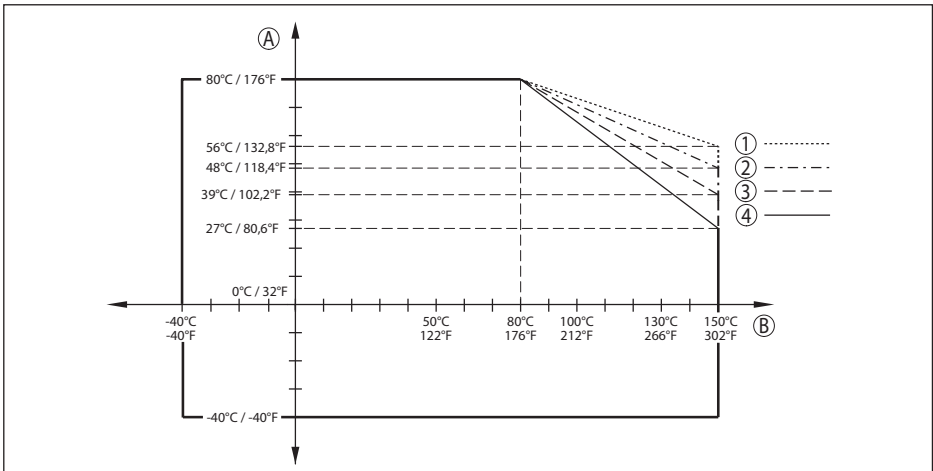


Fig. 68: Derating, ambient temperature, hygienic fitting up to +150 °C (+302 °F)

- A Ambient temperature
- B Process temperature
- 1 Aluminium housing
- 2 Stainless steel housing (precision casting)
- 3 Plastic housing
- 4 Stainless steel housing (electropolished)

**Flange with horn antenna**

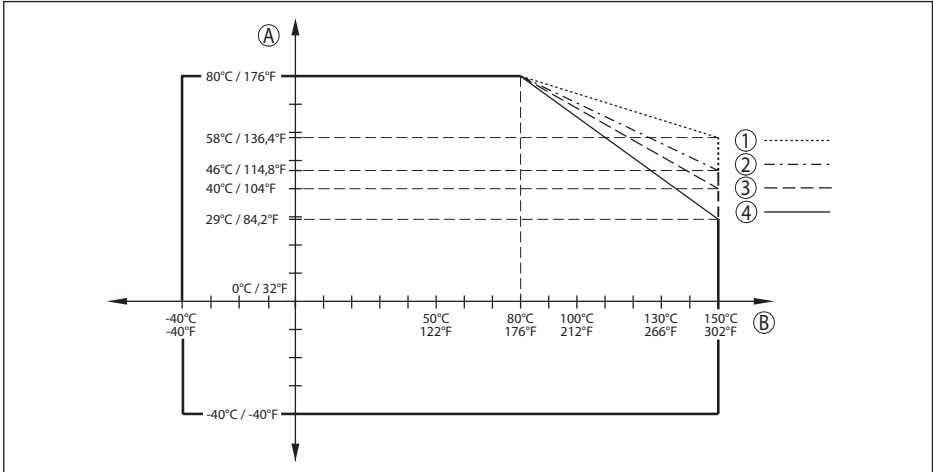


Fig. 69: Derating, ambient temperature, flange with horn antenna up to +150 °C (+302 °F)

- A Ambient temperature
- B Process temperature
- 1 Aluminium housing
- 2 Stainless steel housing (precision casting)
- 3 Plastic housing
- 4 Stainless steel housing (electropolished)

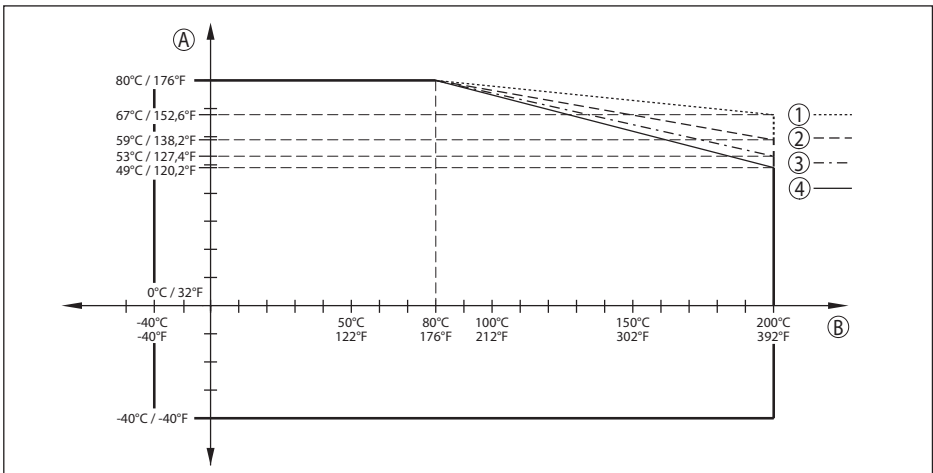


Fig. 70: Derating, ambient temperature, flange with horn antenna up to +200 °C (+392 °F)

- A Ambient temperature
- B Process temperature
- 1 Aluminium housing
- 2 Stainless steel housing (precision casting)
- 3 Plastic housing
- 4 Stainless steel housing (electropolished)

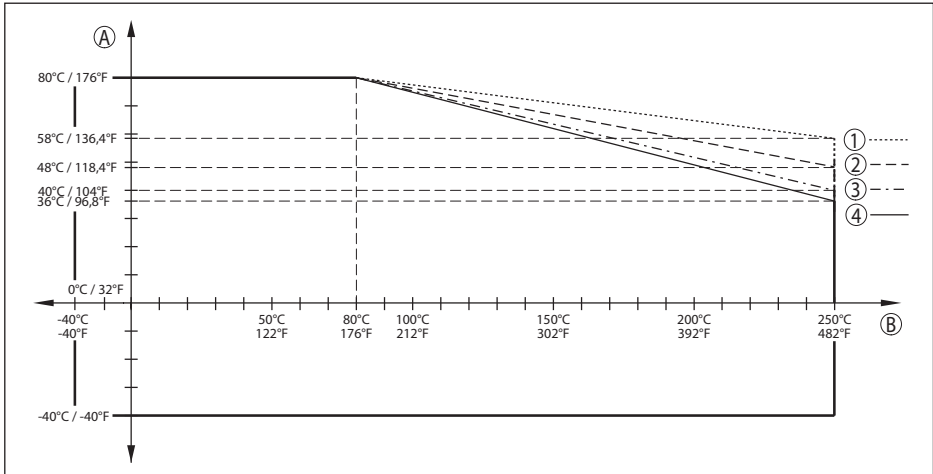


Fig. 71: Derating, ambient temperature, flange with horn antenna up to +250 °C (+482 °F)

- A Ambient temperature
- B Process temperature
- 1 Aluminium housing
- 2 Stainless steel housing (precision casting)
- 3 Plastic housing
- 4 Stainless steel housing (electropolished)

**Process conditions - Pressure**

For the process conditions, please also note the specifications on the type label. The lowest value (amount) always applies.

Process fitting	Version	Process pressure
Plastic horn antenna	Compression flange	-1 ... 2 bar (-100 ... 200 kPa/-14.5 ... 29.00 psig)
	Adapter flange	-1 ... 1 bar (-100 ... 100 kPa/-14.5 ... 14.50 psig)
Thread with integrated antenna system	316L	-1 ... 40 bar (-100 ... 4000 kPa/-14.5 ... 580.2 psig)
	PVDF	-1 ... 3 bar (-100 ... 300 kPa/-14.5 ... 43.51 psig)

Process fitting	Version	Process pressure
Flange with encapsulated antenna system *)	PN 6	-1 ... 6 bar (-100 ... 600 kPa/-14.5 ... 87.02 psig)
	PN 16 (300 lb)	-1 ... 16 bar (-100 ... 1600 kPa/-14.5 ... 232.1 psig)
	PN 40 (600 lb)	-1 ... 25 bar (-100 ... 2500 kPa/-14.5 ... 362.6 psig)
	PN 64 (900 lb)	
	PN 40 (600 lb) Version -196 ... +200 °C (-320.8 ... +392 °F)	
	PN 64 (900 lb) Version -196 ... +200 °C (-320.8 ... +392 °F)	
Thread for hygienic adapter		
Horn antenna	up to +150 °C (+302 °F)	-1 ... 64 bar (-100 ... 6400 kPa/-14.5 ... 928.2 psig)
	up to +200 °C (+392 °F)	
	up to +250 °C (+482 °F)	
	up to +450 °C (+842 °F)	-1 ... 160 bar (-100 ... 16000 kPa/-14.5 ... 2320 psig)
Flange with lens antenna		-1 ... 3 bar (-100 ... 300 kPa/-14.5 ... 43.51 psig)

\*) The following flanges have continuous flange plating and can therefore only be used up to max. 3 bar (300 kPa/43.51 psig) process pressure:

- ASME B16.5 NPS 1½" Class 150 FF / 316/316L
- ASME B16.5 NPS 2" Class 150 FF / 316/316L
- ASME B16.5 NPS 3" Class 300 RF / 316/316L
- ASME B16.5 NPS 4" Class 150 FF / 316/316L

Vessel pressure relating to the flange nominal pressure stage see supplementary instructions manual "Flanges according to DIN-EN-ASME-JIS-GOST"

Hygienic adapter	Version	Process pressure
Clamp (DIN 32676, ISO 2852)	1", 1½"	-1 ... 25 bar (-100 ... 2500 kPa/-14.5 ... 362.6 psig)
	2", 2½", 3"	-1 ... 16 bar (-100 ... 1600 kPa/-14.5 ... 232.1 psig)
	3½", 4"	-1 ... 10 bar (-100 ... 1000 kPa/-14.5 ... 145.0 psig)
Collar socket (DIN 11851)	DN 32, DN 40, DN 50, DN 65, DN 80, DN 100/4"	-1 ... 25 bar (-100 ... 2500 kPa/-14.5 ... 362.6 psig)
	DN 125	-1 ... 16 bar (-100 ... 1600 kPa/-14.5 ... 232.1 psig)
Collar socket (DIN 11864-1)	DN 40, DN 50, DN 60, DN 65, DN 76.1, DN 80	-1 ... 25 bar (-100 ... 2500 kPa/-14.5 ... 362.6 psig)
Threaded mounting socket (DIN 11864-1)	DN 50, DN 80	-1 ... 25 bar (-100 ... 2500 kPa/-14.5 ... 362.6 psig)
Grooved flange (DIN 11864-2)	DN 50, DN 60.3 DN 76.1, DN 80, DN 88.9	-1 ... 16 bar (-100 ... 1600 kPa/-14.5 ... 232.1 psig)

Hygienic adapter	Version	Process pressure
Saddle flange (DIN 11864-2)	DN 40	-1 ... 25 bar (-100 ... 2500 kPa/-14.5 ... 362.6 psig)
	DN 50, DN 60.3, DN 65, DN 76.1, DN 80, DN 88.9, DN 100	-1 ... 16 bar (-100 ... 1600 kPa/-14.5 ... 232.1 psig)
Clamp liner (DIN 11864-3)	DN 32, DN 40, DN 50, DN 60.3, DN 65	-1 ... 25 bar (-100 ... 2500 kPa/-14.5 ... 362.6 psig)
	DN 76.1, DN 80, DN 88.9, DN 100	-1 ... 16 bar (-100 ... 1600 kPa/-14.5 ... 232.1 psig)
Grooved connection piece (DIN 11864-3)	DN 50	-1 ... 25 bar (-100 ... 2500 kPa/-14.5 ... 362.6 psig)
	DN 80	-1 ... 16 bar (-100 ... 1600 kPa/-14.5 ... 232.1 psig)
Varinline PN 25	Form F	-1 ... 25 bar (-100 ... 2500 kPa/-14.5 ... 362.6 psig)
	Form N	-1 ... 20 bar (-100 ... 2000 kPa/-14.5 ... 290.0 psig)
DRD connection	ø 65 mm	-1 ... 16 bar (-100 ... 1600 kPa/-14.5 ... 232.1 psig)
SMS 1145	DN 38, DN 51, DN 76, DN 101.6, DN 63.5	-1 ... 6 bar (-100 ... 600 kPa/-14.5 ... 87.0 psig)
NEUMO BioControl	DN 50 PN 16	-1 ... 16 bar (-100 ... 1600 kPa/-14.5 ... 232.1 psig)

## Mechanical environmental conditions

### Vibration resistance<sup>29)</sup>

Antenna version	Housing	Vibration resistance
Plastic horn antenna	Plastic housing	5 g, with mounting strap: 1 g
	Aluminium housing	
	Stainless steel housing	1 g
Thread with integrated antenna system	Plastic housing	5 g
	Aluminium housing	
	Stainless steel housing	2 g
Thread for hygienic adapter G1, G1½	Plastic housing	2 g/5 g
	Aluminium housing	
	Stainless steel housing	
Flange with encapsulated antenna system	Plastic housing	5 g
	Aluminium housing	
	Stainless steel housing	2 g
Hygienic fitting	Plastic housing	5 g <sup>30)</sup>
	Aluminium housing	
	Stainless steel housing	

<sup>29)</sup> Tested according to IEC 60068-2-6 (5 ... 200 Hz)

<sup>30)</sup> For hygienic fittings with clamp connection, use suitable, stable tension clamps to ensure the vibration resistance.

Antenna version	Housing	Vibration resistance
Flange with lens antenna	Plastic housing	5 g
	Aluminium housing	
	Stainless steel housing	2 g

### Shock resistance<sup>31)</sup>

Antenna version	Housing	Shock resistance
Plastic horn antenna	Plastic housing	10 g/11 ms, 30 g/6 ms, 50 g/2.3 ms
	Aluminium housing	
	Stainless steel housing	5 g/11 ms, 10 g/11 ms
Thread with integrated antenna system	Plastic housing	10 g/11 ms, 30 g/6 ms, 50 g/2.3 ms <sup>32)</sup>
Flange with encapsulated antenna system	Aluminium housing	
Thread for hygienic adapter	Stainless steel housing	
Hygienic fitting		
Horn antenna		
Flange with lens antenna		

### Data on rinsing air connection

Recommended max. pressure with continuous rinsing      1 bar (14.50 psig)

Max. permissible pressure      6 bar (87.02 psig)

Air quality      Filtered

Air volume, depending on pressure

Plastic horn antenna	Air volume	
	Without reflux valve	With reflux valve
Pressure		
0.2 bar (2.9 psig)	3.3 m <sup>3</sup> /h	-
0.4 bar (5.8 psig)	5 m <sup>3</sup> /h	-
0.6 bar (8.7 psig)	6 m <sup>3</sup> /h	1 m <sup>3</sup> /h
0.8 bar (11.6 psig)	-	2.1 m <sup>3</sup> /h
1 bar (14.5 psig)	-	3 m <sup>3</sup> /h
1.2 bar (17.4 psig)	-	3.5 m <sup>3</sup> /h
1.4 bar (20.3 psig)	-	4.2 m <sup>3</sup> /h
1.6 bar (23.2 psig)	-	4.4 m <sup>3</sup> /h
1.8 bar (20.3 psig)	-	4.8 m <sup>3</sup> /h
2 bar (23.2 psig)	-	5.1 m <sup>3</sup> /h

<sup>31)</sup> Tested according to IEC 60068-2-27

<sup>32)</sup> For hygienic fittings with clamp connection, use suitable, stable tension clamps to ensure the vibration resistance.

Flange with lens antenna	Air volume	
	Without reflux valve	With reflux valve
Pressure		
0.2 bar (2.9 psig)	1.7 m <sup>3</sup> /h	-
0.4 bar (5.8 psig)	2.5 m <sup>3</sup> /h	-
0.6 bar (8.7 psig)	2.9 m <sup>3</sup> /h	0.8 m <sup>3</sup> /h
0.8 bar (11.6 psig)	3.3 m <sup>3</sup> /h	1.5 m <sup>3</sup> /h
1 bar (14.5 psig)	3.6 m <sup>3</sup> /h	2 m <sup>3</sup> /h
1.2 bar (17.4 psig)	3.9 m <sup>3</sup> /h	2.3 m <sup>3</sup> /h
1.4 bar (20.3 psig)	4 m <sup>3</sup> /h	2.7 m <sup>3</sup> /h
1.6 bar (23.2 psig)	4.3 m <sup>3</sup> /h	3 m <sup>3</sup> /h
1.8 bar (20.3 psig)	4.5 m <sup>3</sup> /h	3.5 m <sup>3</sup> /h
2 bar (23.2 psig)	4.6 m <sup>3</sup> /h	4 m <sup>3</sup> /h

**Connection**

- Thread G $\frac{1}{8}$
- Seal at flange with lens antenna Threaded plug of 316Ti

**Reflux valve (optional)**

- Material 316Ti
- Thread G $\frac{1}{8}$
- Seal FKM (SHS FPM 70C3 GLT), EPDM (COG AP310)
- For connection G $\frac{1}{8}$
- Opening pressure 0.5 bar (7.25 psig)
- Nominal pressure stage PN 250

**Electromechanical data**
**Options of the cable entry**

- Cable entry M20 x 1.5;  $\frac{1}{2}$  NPT
- Cable gland M20 x 1.5;  $\frac{1}{2}$  NPT (cable  $\varnothing$  see below table)
- Blind plug M20 x 1.5;  $\frac{1}{2}$  NPT
- Closing cap  $\frac{1}{2}$  NPT

Material cable gland	Material seal insert	Cable diameter				
		4.5 ... 8.5 mm	5 ... 9 mm	6 ... 12 mm	7 ... 12 mm	10 ... 14 mm
PA	NBR	-	√	√	-	√
Brass, nickel-plated	NBR	√	√	√	-	-
Stainless steel	NBR	-	√	√	-	√

**Wire cross-section (spring-loaded terminals)**

- Massive wire, stranded wire 0.2 ... 2.5 mm<sup>2</sup> (AWG 24 ... 14)
- Stranded wire with end sleeve 0.2 ... 1.5 mm<sup>2</sup> (AWG 24 ... 16)

**Interface to the external display and adjustment unit**

Data transmission	Digital (I <sup>2</sup> C-Bus)
Connection cable	Four-wire

Sensor version	Configuration, connection cable	
	Max. cable length	Shielded
4 ... 20 mA/HART	50 m	•

**Integrated clock**

Date format	Day.Month.Year
Time format	12 h/24 h
Time zone, factory setting	CET
Max. rate deviation	10.5 min/year

**Additional output parameter - Electronics temperature**

Range	-40 ... +85 °C (-40 ... +185 °F)
Resolution	< 0.1 K
Deviation	± 3 K
Availability of the temperature values	
– Indication	Via the display and adjustment module
– Output	Via the respective output signal

**Voltage supply**

Operating voltage	90 ... 253 V AC, 50/60 Hz
Reverse voltage protection	Integrated
Load resistor (4 ... 20 mA/HART - passive)	
– Calculation	$(U_B - U_{min})/0.022 \text{ A}$
– Example - $U_B = 24 \text{ V DC}$	$(24 \text{ V} - 12 \text{ V})/0.022 \text{ A} = 545 \Omega$
Load resistor (4 ... 20 mA/HART - active)	< 500 $\Omega$
Max. power consumption	4 VA; 2.1 W

**Potential connections and electrical separating measures in the instrument**

Electronics	Non-floating
Reference voltage <sup>33)</sup>	500 V <sub>eff</sub>
Conductive connection	Between ground terminal and metallic process fitting

**Electrical protective measures**

Protection acc. to IEC 60529	IP66/67
Protection acc. to NEMA	NEMA 4P
Connection of the feeding power supply unit	Networks of overvoltage category III

<sup>33)</sup> Galvanic separation between electronics and metal housing parts



Altitude above sea level

- by default up to 2000 m (6562 ft)
- with connected overvoltage protection up to 5000 m (16404 ft)

Pollution degree (with fulfilled housing protection) 4

Protection rating (IEC 61010-1) I

### 15.2 Radio astronomy stations

Certain restrictions on the use of NCR-86 outside closed vessels result from the radio license. You can find these restrictions in the accompanying document "*Information sheet Radio licenses*". Some of these restrictions have to do radio astronomy stations. The following table states the geographic positions of radio astronomy stations in Europe:

Country	Name of the Station	Geographic Latitude	Geographic Longitude
Finland	Metsähovi	60°13'04" N	24°23'37" E
France	Plateau de Bure	44°38'01" N	05°54'26" E
Germany	Effelsberg	50°31'32" N	06°53'00" E
Italy	Sardinia	39°29'50" N	09°14'40" E
Spain	Yebes	40°31'27" N	03°05'22" W
	Pico Veleta	37°03'58" N	03°23'34" W
Sweden	Onsala	57°23'45" N	11°55'35" E

### 15.3 Dimensions

The drawings listed represent only a section of the possible process fittings.

#### Housing

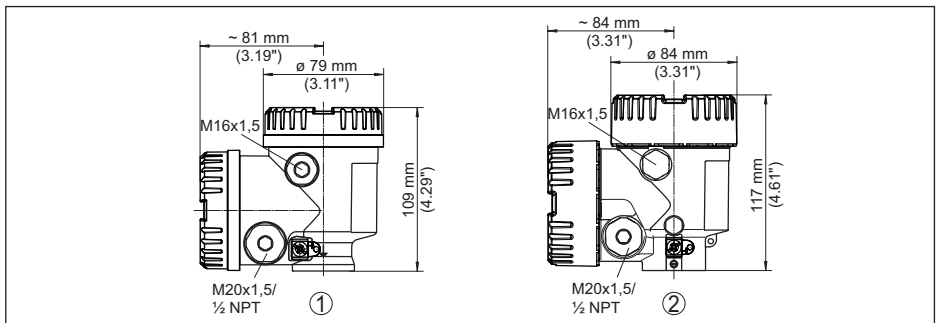


Fig. 72: NCR-86; with integrated display and adjustment module the housing is 9 mm (0.35 in) higher

- 1 Plastic double chamber
- 2 Aluminium/Stainless steel double chamber

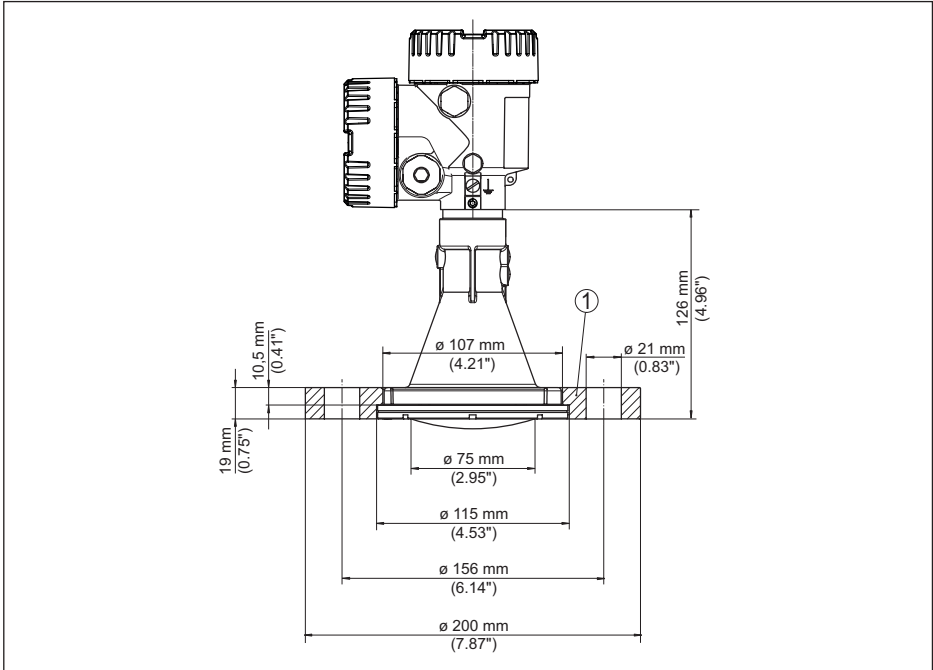
**NCR-86, plastic horn antenna with compression flange**

Fig. 73: NCR-86 with compression flange suitable for 3" 150 lbs, DN 80 PN 16

1 Compression flange

**NCR-86, plastic horn antenna with compression flange and purging air connection**

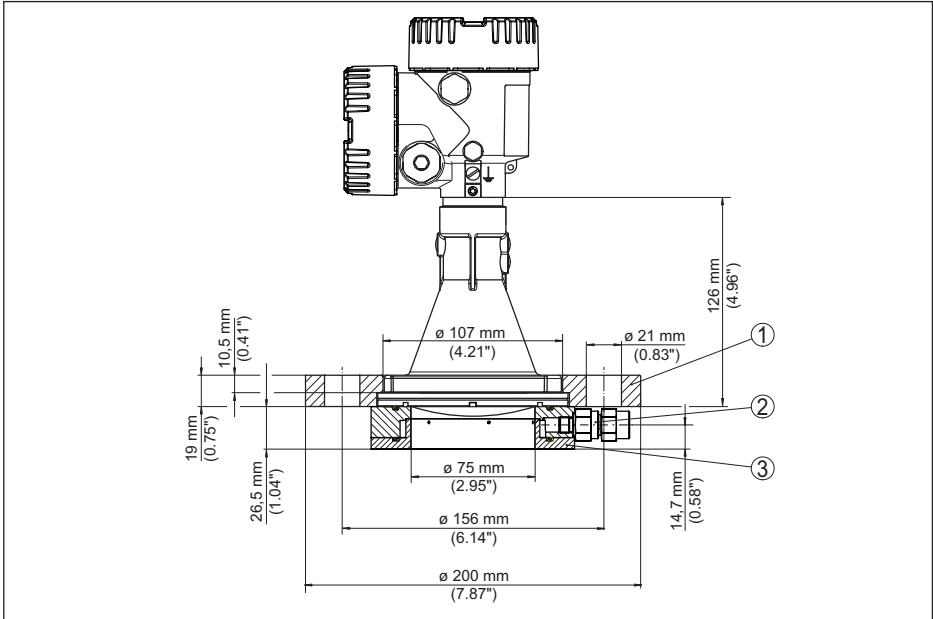


Fig. 74: NCR-86 with compression flange and purging air connection suitable for 3" 150 lbs, DN 80 PN 16

- 1 Compression flange
- 2 Reflux valve
- 3 Rinsing air connection

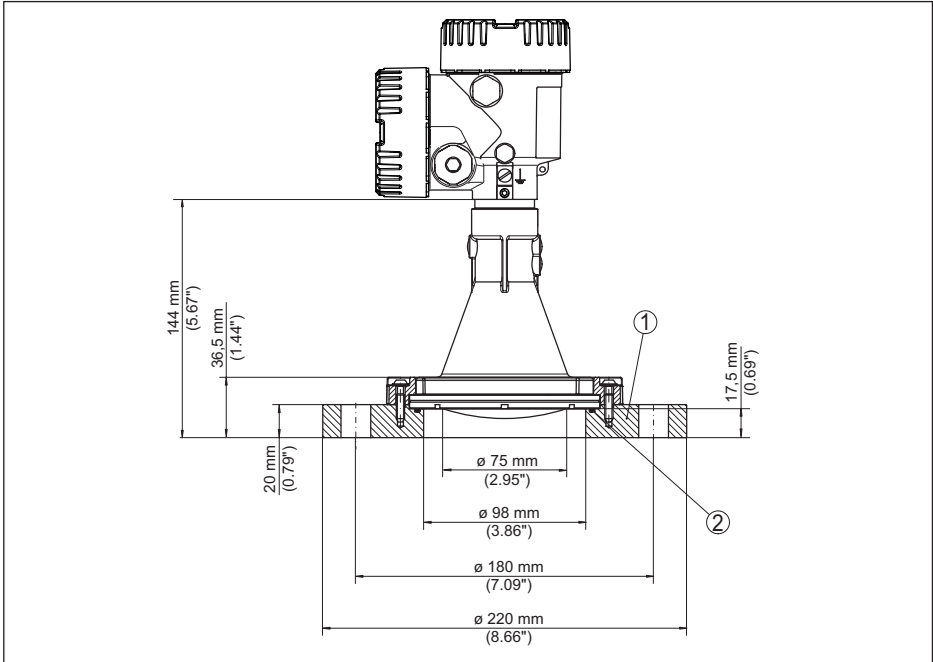
**NCR-86, plastic horn antenna with adapter flange**

Fig. 75: NCR-86 with adapter flange DN 100 PN 6

- 1 Adapter flange
- 2 Process seal

**NCR-86, plastic horn antenna mit adapter flange und purging air connection**

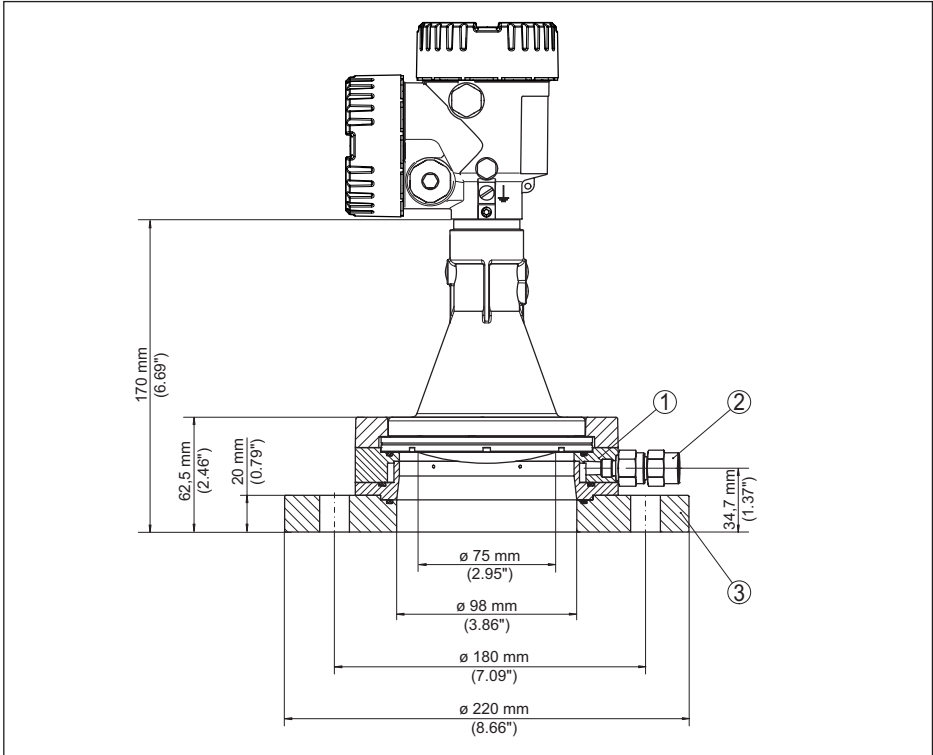


Fig. 76: NCR-86, adapter flange and purging air connection DN 100 PN 6

- 1 Rinsing air connection
- 2 Reflux valve
- 3 Adapter flange

**NCR-86, plastic horn antenna with mounting strap**

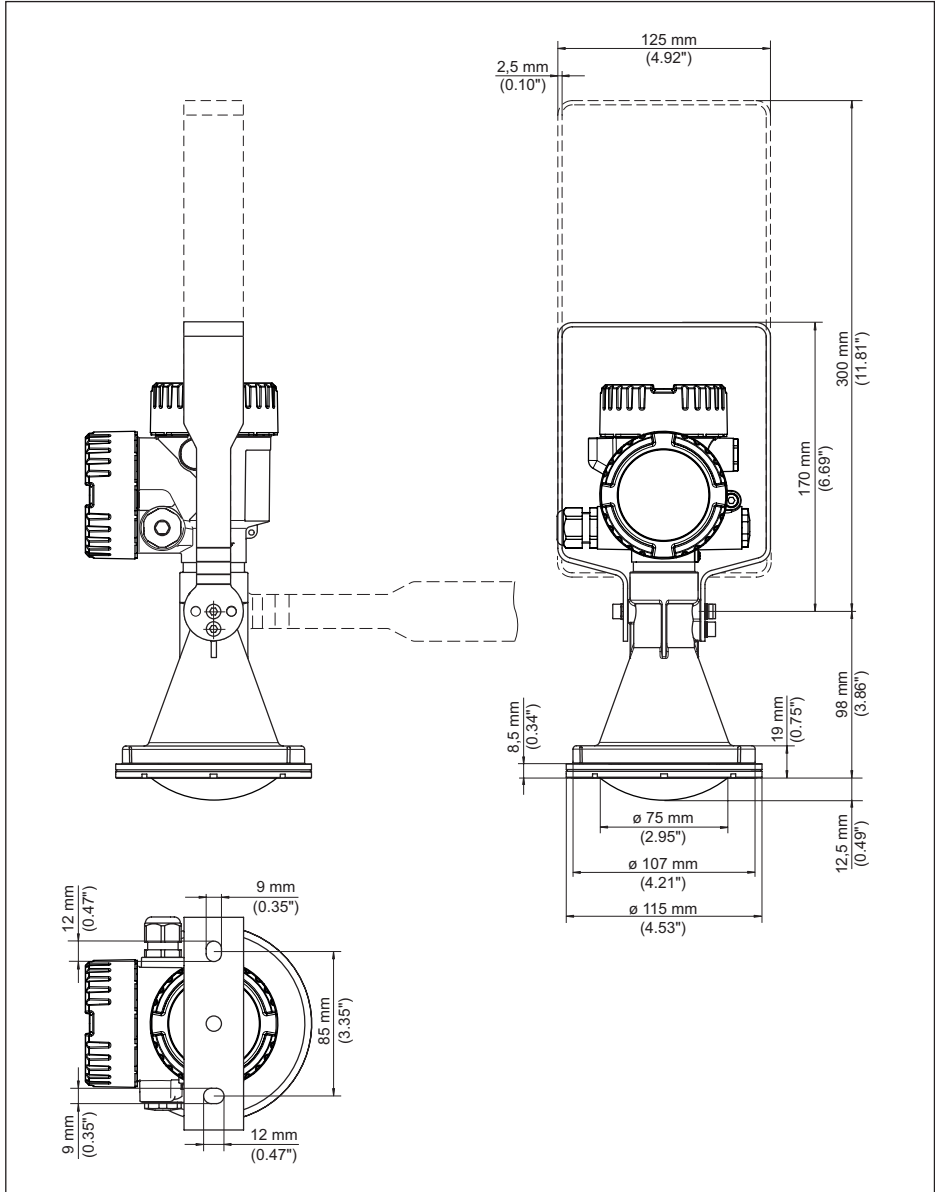


Fig. 77: NCR-86, plastic horn antenna, mounting strap in 170 or 300 mm length

**NCR-86, thread with integrated antenna system up to +80 °C (+176 °F)**

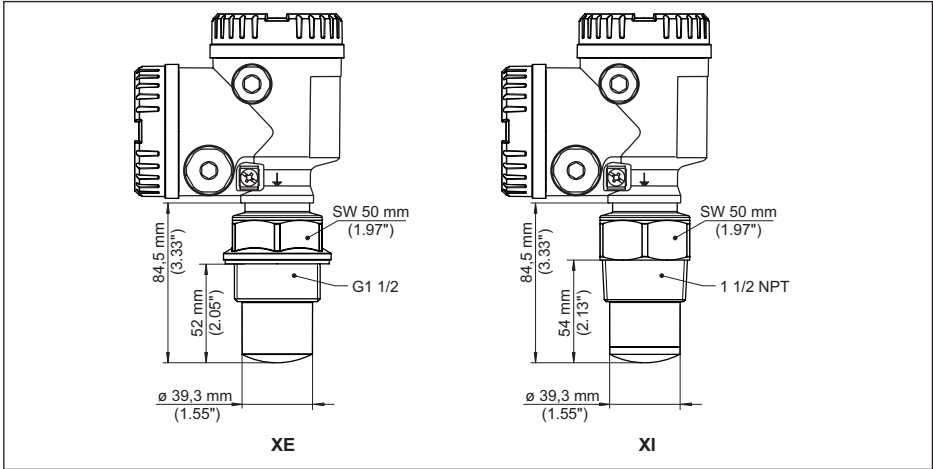


Fig. 78: NCR-86, thread with integrated antenna system up to +80 °C (+176 °F)

XE G1½ (DIN 3852-A) PVDF

XI 1½NPT (ASME B1.20.1) PVDF

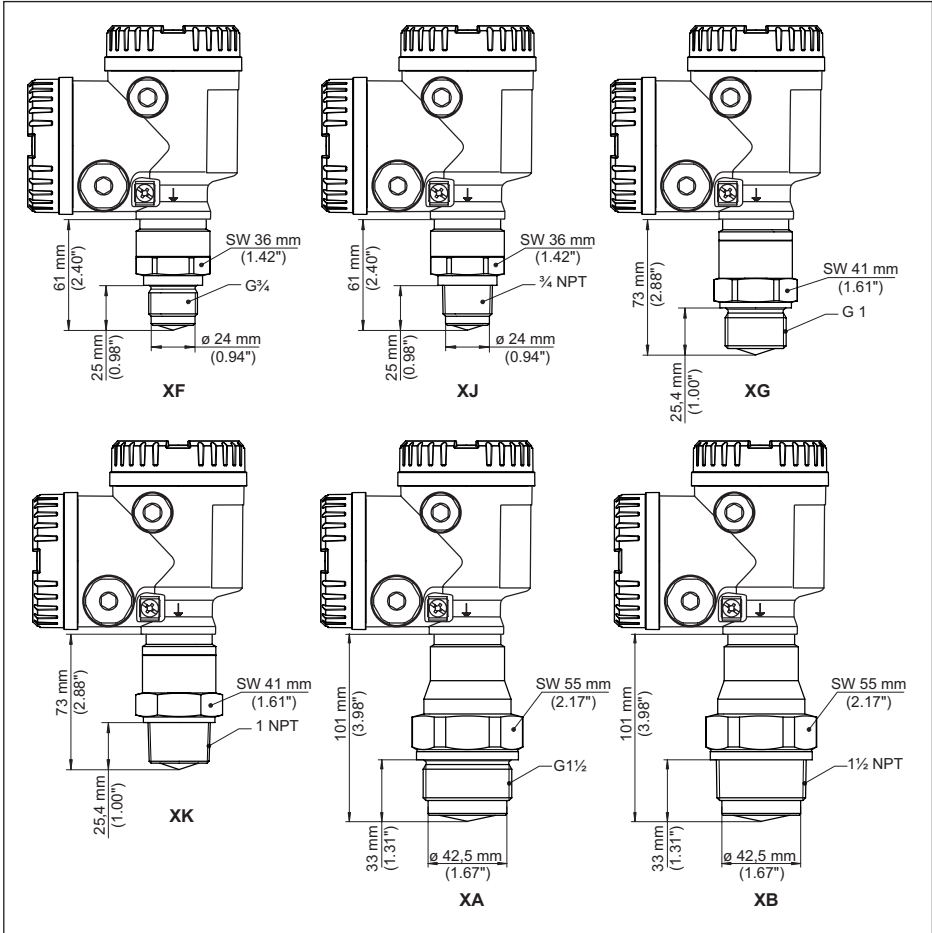
**NCR-86, thread with integrated antenna system up to +150 °C (+302 °F)**

Fig. 79: NCR-86, thread with integrated antenna system up to +150 °C (+302 °F)

XF G $\frac{3}{4}$  (DIN 3852-A)

XJ  $\frac{3}{4}$  NPT (ASME B1.20.1)

XG G 1 (DIN 3852-A)

XK 1 NPT (ASME B1.20.1)

XA G $1\frac{1}{2}$  (DIN 3852-A)

XB  $1\frac{1}{2}$  NPT (ASME B1.20.1)



**NCR-86, thread with integrated antenna system up to +200 °C (+392 °F)/+250 °C (+482 °F)**

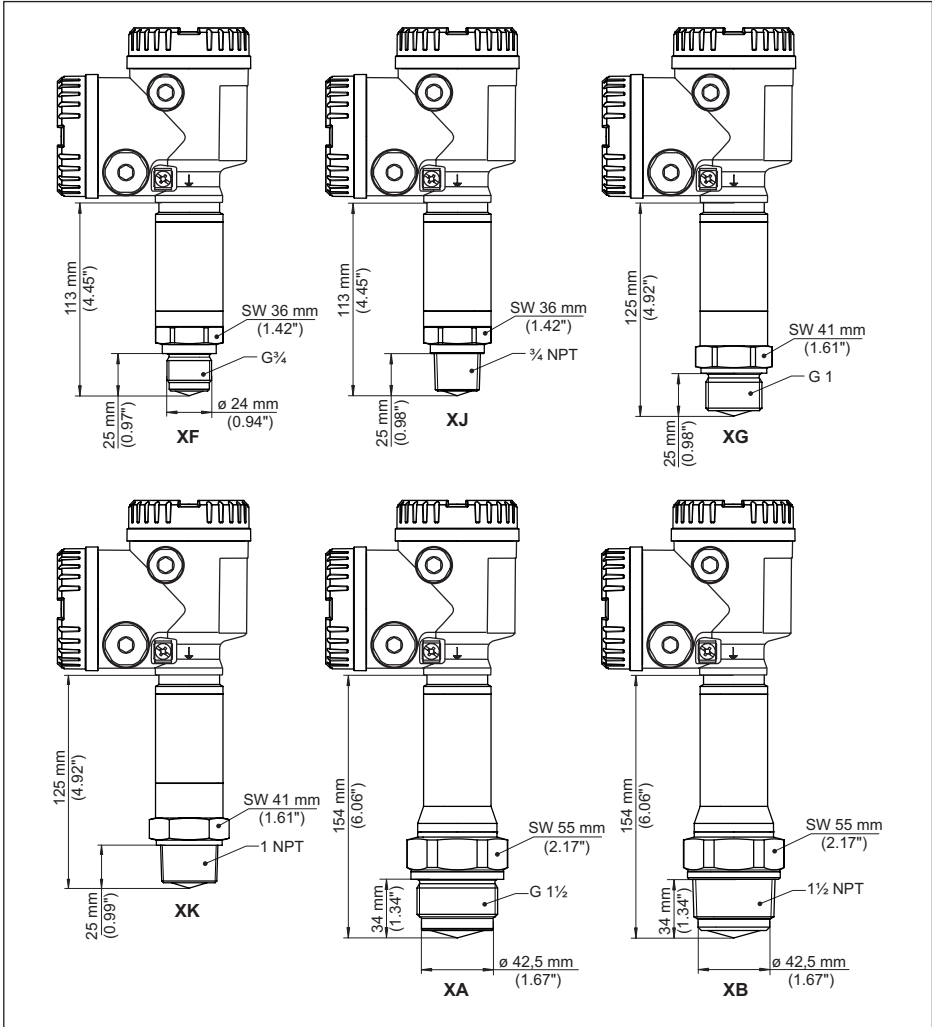


Fig. 80: NCR-86, thread with integrated antenna system up to +200 °C (+392 °F) and +250 °C (+482 °F)

1 With version up to +250 °C (+482 °F): 125 mm (4.92")

XF G 3/4 (DIN 3852-A)

XJ 3/4 NPT (ASME B1.20.1)

XG G 1 (DIN 3852-A)

XK 1 NPT (ASME B1.20.1)

XA G 1 1/2 (DIN 3852-A)

XB 1 1/2 NPT (ASME B1.20.1)

**NCR-86, flange with horn antenna up to +150 °C (+302 °F)/+200 °C (+392 °F)/+250 °C (+482 °F)**

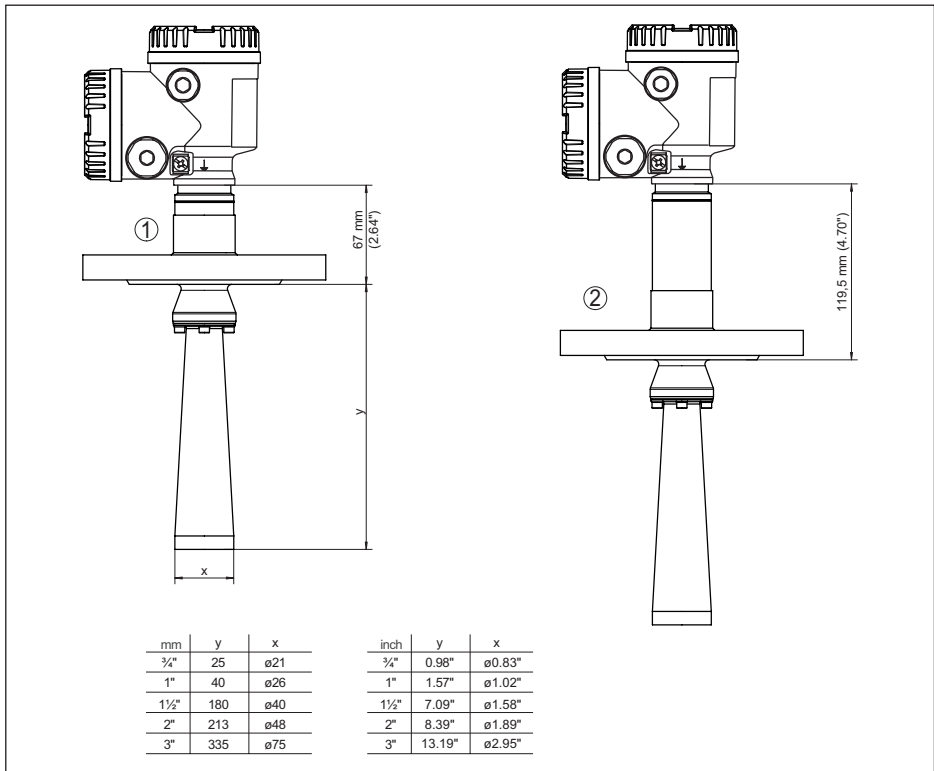


Fig. 81: NCR-86, flange with horn antenna up to +150 °C (+302 °F)/+250 °C (+482 °F)

1 Version up to +150 °C (+302 °F)

2 Version up to +200 °C (+392 °F) and version up to +250 °C (+482 °F)

**NCR-86, thread with horn antenna 450 °C version**

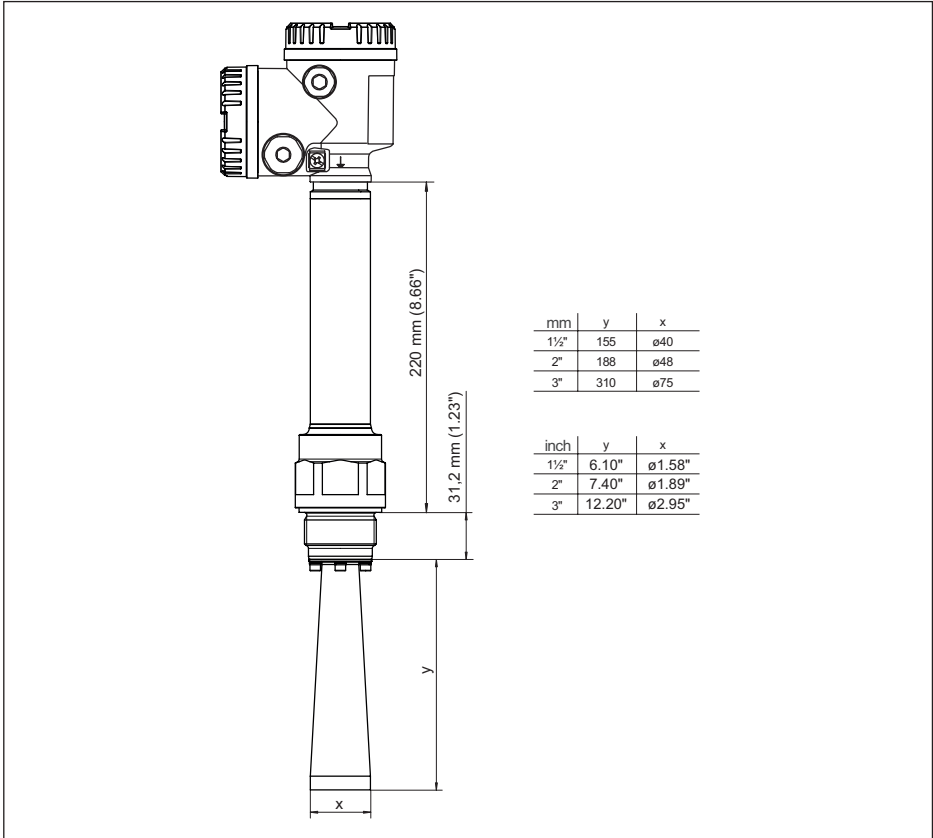


Fig. 82: NCR-86, thread with horn antenna 450 °C version

**NCR-86, flange with horn antenna 450 °C version**

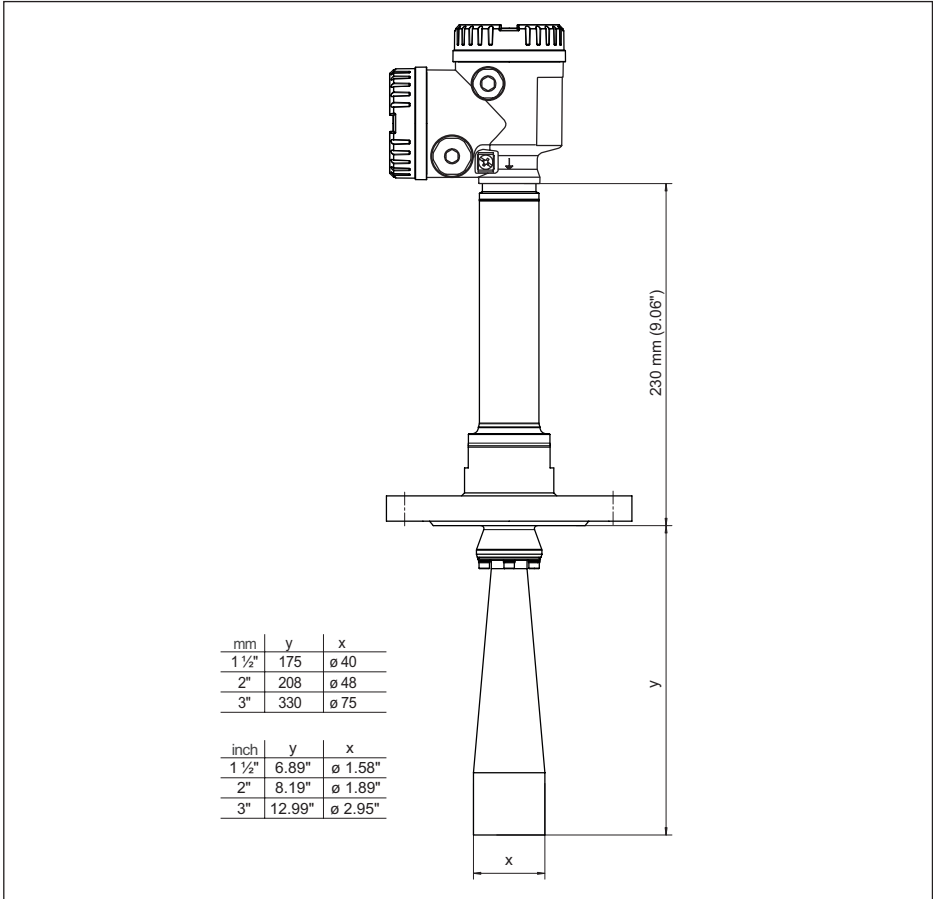
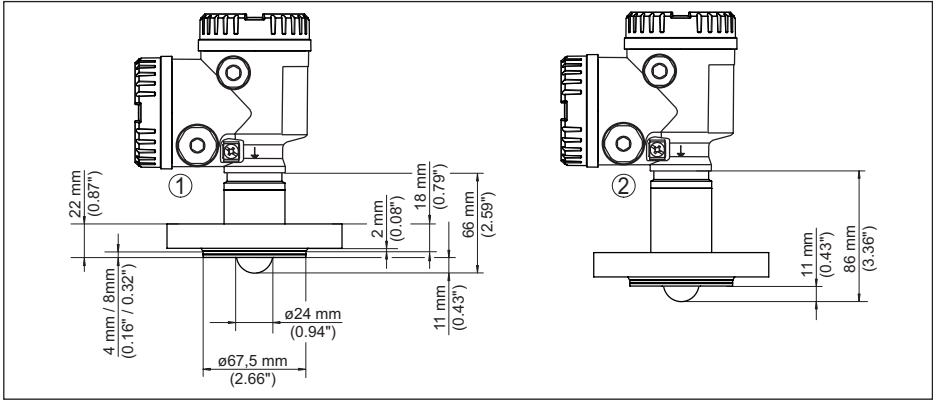


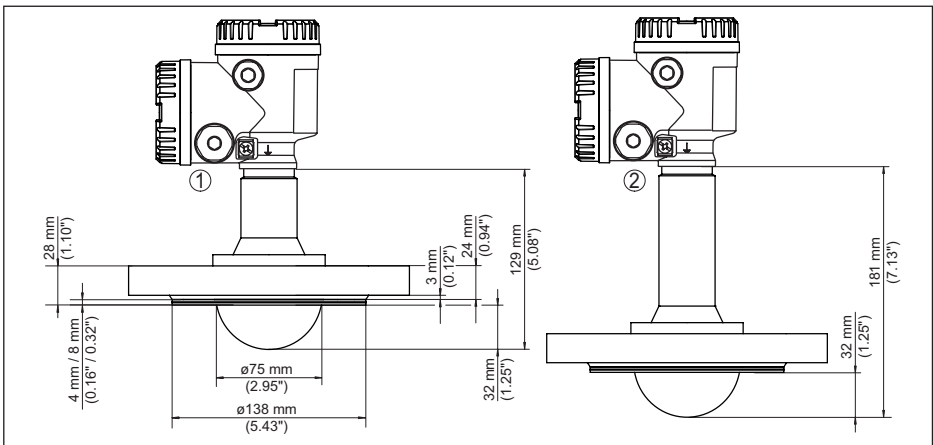
Fig. 83: NCR-86, flange with horn antenna 450 °C version

**NCR-86, flange with encapsulated antenna system**



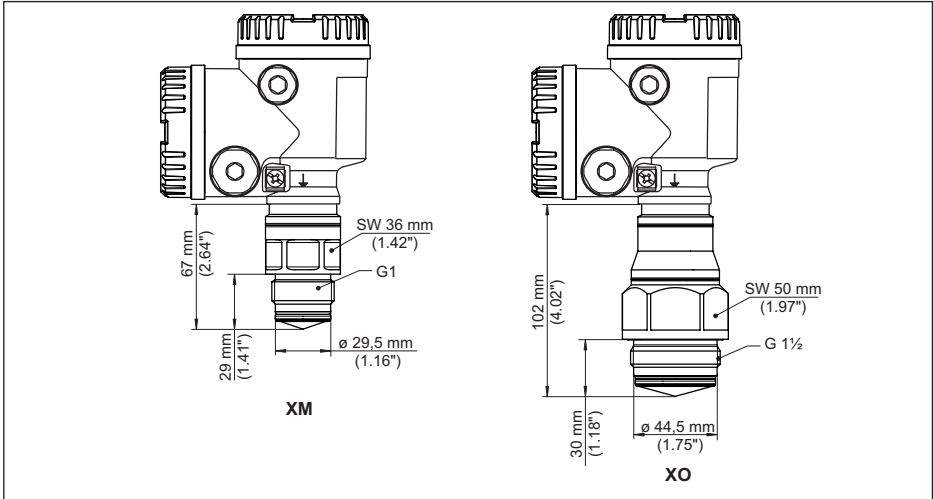
*Fig. 84: NCR-86, encapsulated antenna system DN 25 PN 40*

- 1 Version up to +150 °C (+302 °F)
- 2 Version up to +200 °C (+392 °F)



*Fig. 85: NCR-86, encapsulated antenna system DN 80 PN 40*

- 1 Version up to +150 °C (+302 °F)
- 2 Version up to +200 °C (+392 °F)

**NCR-86, thread for hygienic adapter**

*Fig. 86: NCR-86, thread for hygienic adapter*

*XM G1 (ISO 228-1) for hygienic adapter sealing with O-ring*

*XO G1½ (ISO 228-1) for hygienic adapter sealing with O-ring*

**NCR-86, hygienic fitting 1**

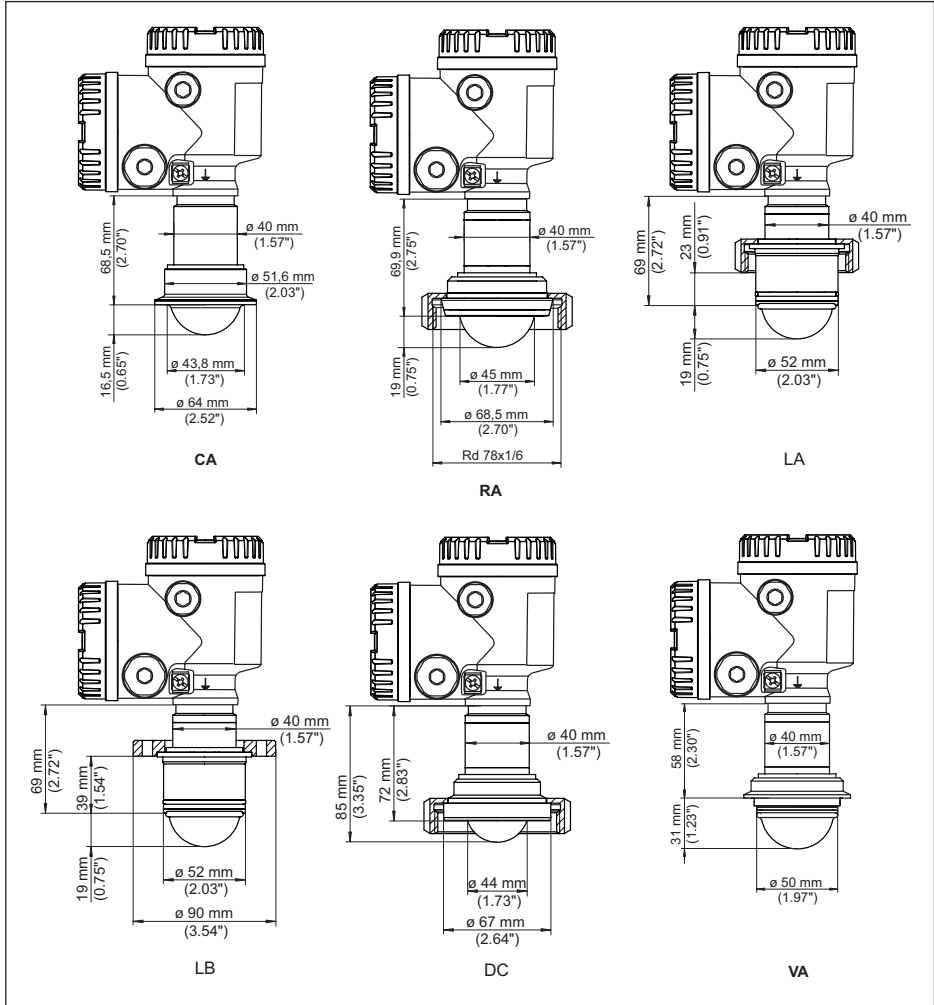


Fig. 87: NCR-86, hygienic fitting

CA Clamp 2" (DIN 32676, ISO 2852)

LF Threaded socket DN 50 Form A for tube 53 x 1.5 (DIN 11864-1)

RA Slotted nut DN 50 (DIN 11851)

LI Grooved flange DN 50 Form A for tube 53 x 1.5 (DIN 11864-2)

DC Collar socket DN 50 Form A for tube 53 x 1.5 (DIN 11864-1)

LC Collar flange DN 50 Form A for tube 53 x 1.5 (DIN 11864-2)

## NCR-86, hygienic fitting 2

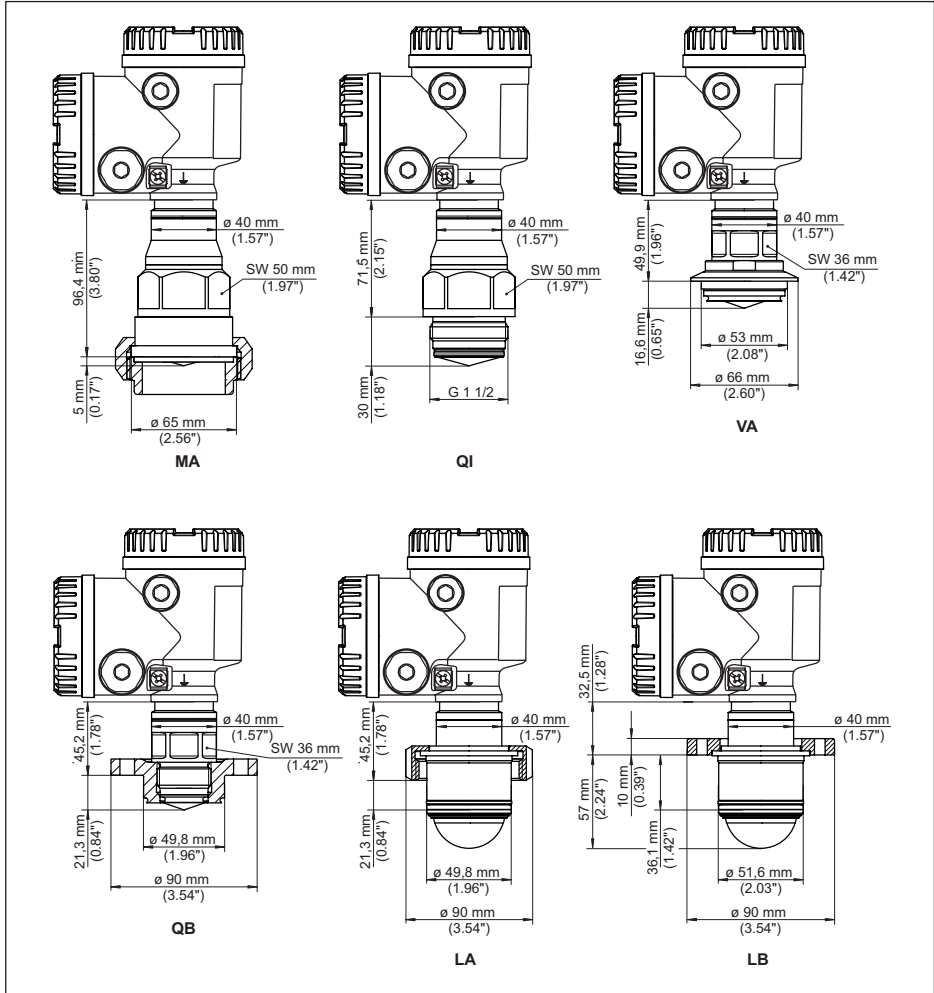


Fig. 88: NCR-86, hygienic fitting

VA For Varinline Form F (1") D = 50 mm

MA SMS 1145 DN 51

Q1 DRD connection  $\varnothing 65$  mm

SA SMS DN 51

QB For Neumo Biocontrol D50

LA Hygienic connection with compression nut F40

LB Hygienic fitting with tension flange DN 32



**NCR-86, flange with lens antenna**

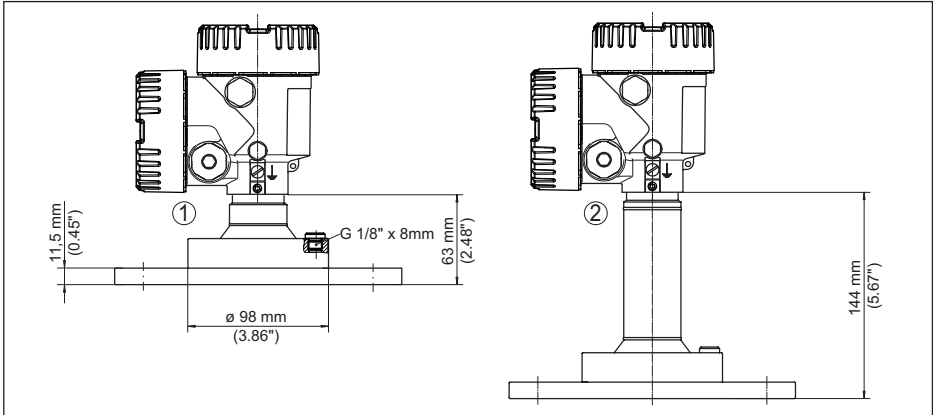


Fig. 89: NCR-86, flange with lens antenna (flange thickness acc. to drawing, flange dimensions acc. to DIN, ASME, JIS)

- 1 Version up to +150 °C (+302 °F)
- 2 Version up to +250 °C (+482 °F)

**NCR-86, flange with lens antenna and purging air connection**

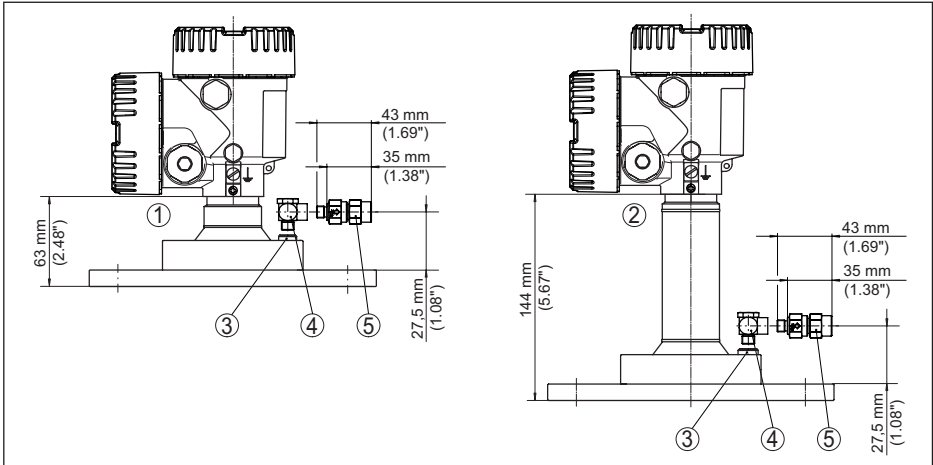


Fig. 90: NCR-86, flange with lens antenna and purging air connection

- 1 Version up to +150 °C (+302 °F)
- 2 Version up to +250 °C (+482 °F)
- 3 Blind plug
- 4 90° angle joint
- 5 Reflux valve

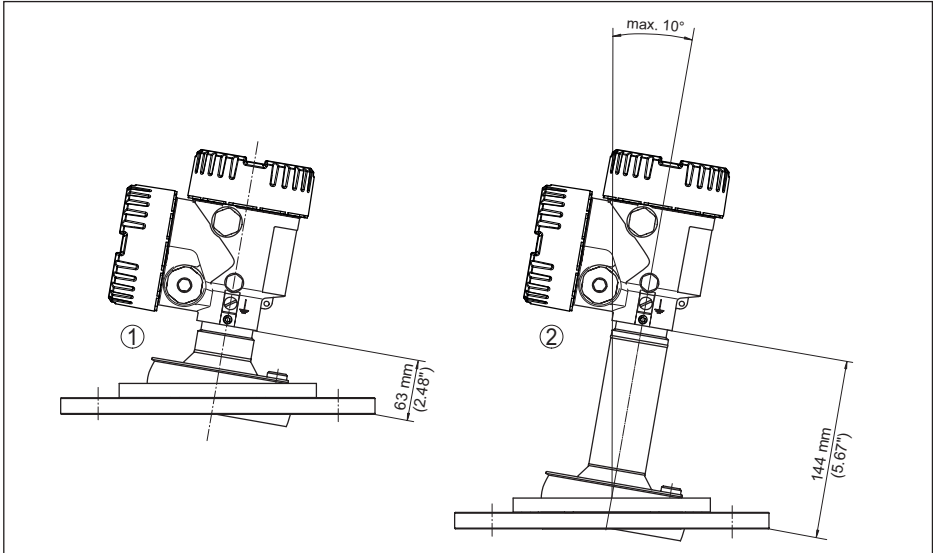
**NCR-86, flange with lens antenna and swivelling holder**

Fig. 91: NCR-86, flange with lens antenna and swivelling holder

- 1 Version up to +150 °C (+302 °F)
- 2 Version up to +250 °C (+482 °F)

**NCR-86, flange with lens antenna, swivelling holder and purging air connection**

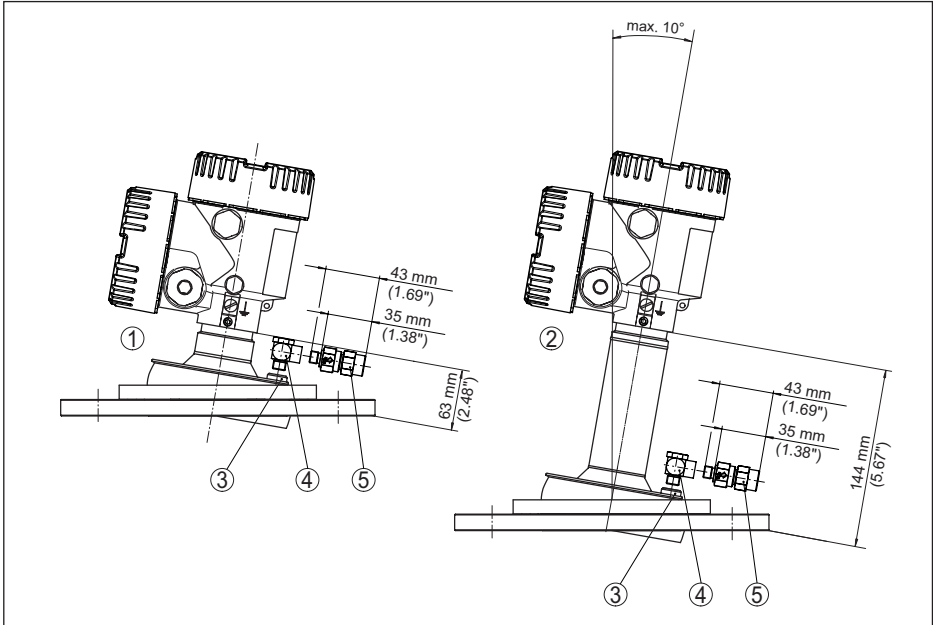


Fig. 92: NCR-86, flange with lens antenna, swivelling holder and purging air connection

- 1 Version up to +150 °C (+302 °F)
- 2 Version up to +250 °C (+482 °F)
- 3 Blind plug
- 4 90° angle joint
- 5 Reflux valve

## **15.4 Licensing information for open source software**

Open source software components are also used in this device. A documentation of these components with the respective license type, the associated license texts, copyright notes and disclaimers can be found on our homepage.

## **15.5 Trademark**

All the brands as well as trade and company names used are property of their lawful proprietor/originator.







Printing date:

***BINMASTER***

All statements concerning scope of delivery, application, practical use and operating conditions of the sensors and processing systems correspond to the information available at the time of printing.

Subject to change without prior notice



1034064-EN-240229

BinMaster  
7201 N 98th St  
Lincoln, NE 68507  
USA

Phone 402-434-9102  
E-mail: [info@binmaster.com](mailto:info@binmaster.com)  
[www.binmaster.com](http://www.binmaster.com)