

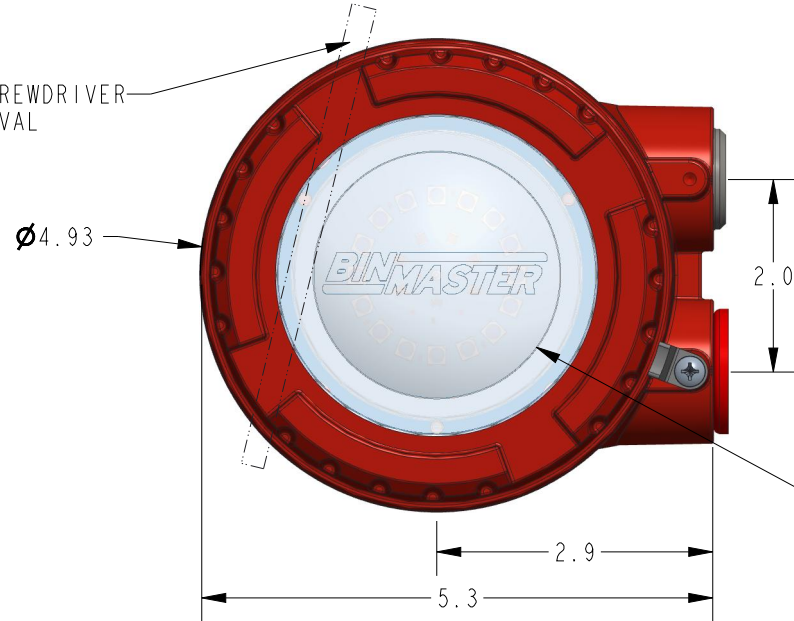
This drawing is the property of Gamer Industries. It is issued in confidence on the condition that it is to be returned on request and that it is not to be copied or reproduced in any way, or used in the manufacture of the subject matter thereof without the written consent of Gamer Industries.

DIMENSIONS ARE IN INCHES UNLESS NOTED OTHERWISE

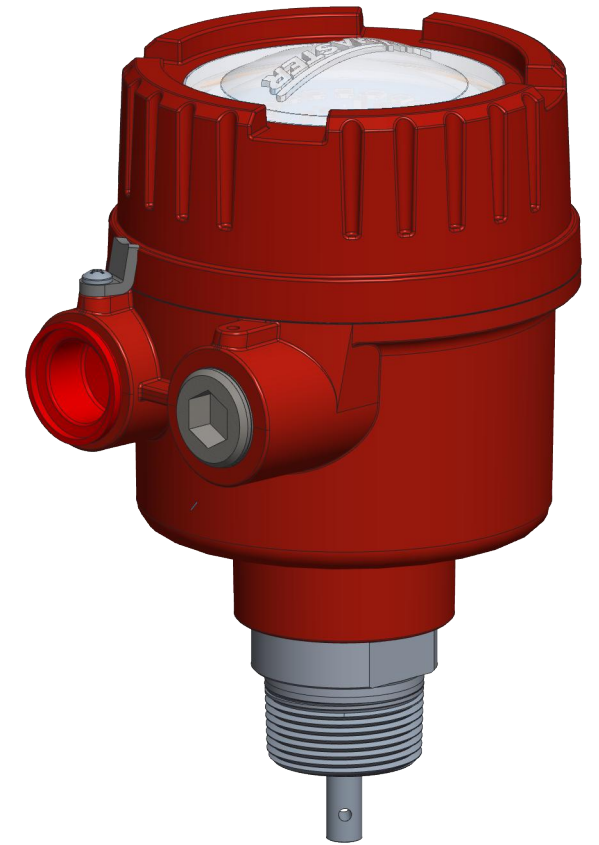


Division of Gamer Industries / 7201 North 98th Street / Lincoln, NE 68507
(402) 434-9102 / fax (402) 434-9144 \ www.binmaster.com

FLAT BAR OR LONG SCREWDRIVER
CAN AID IN LID REMOVAL



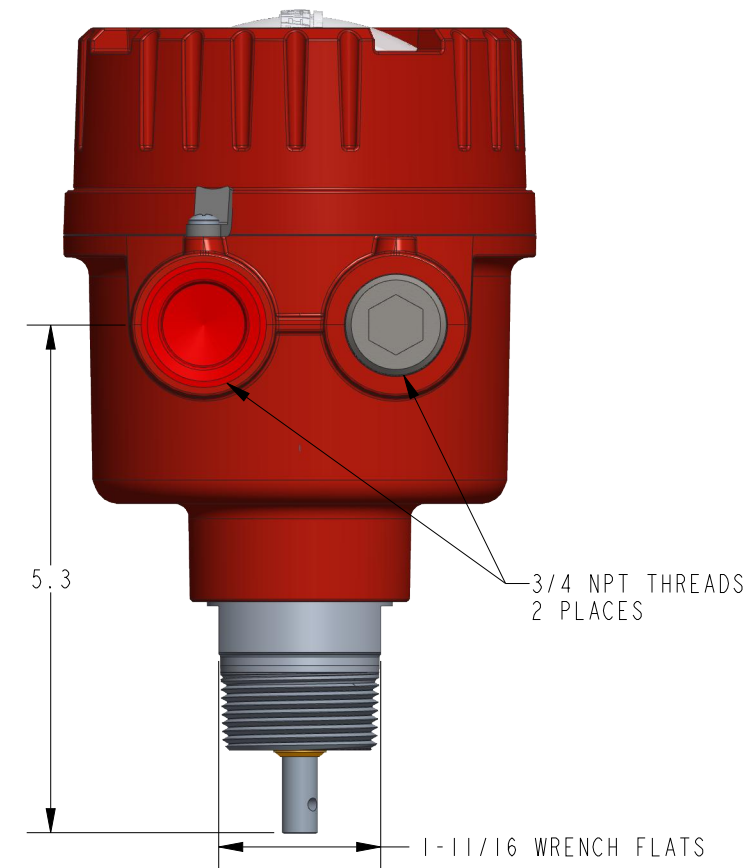
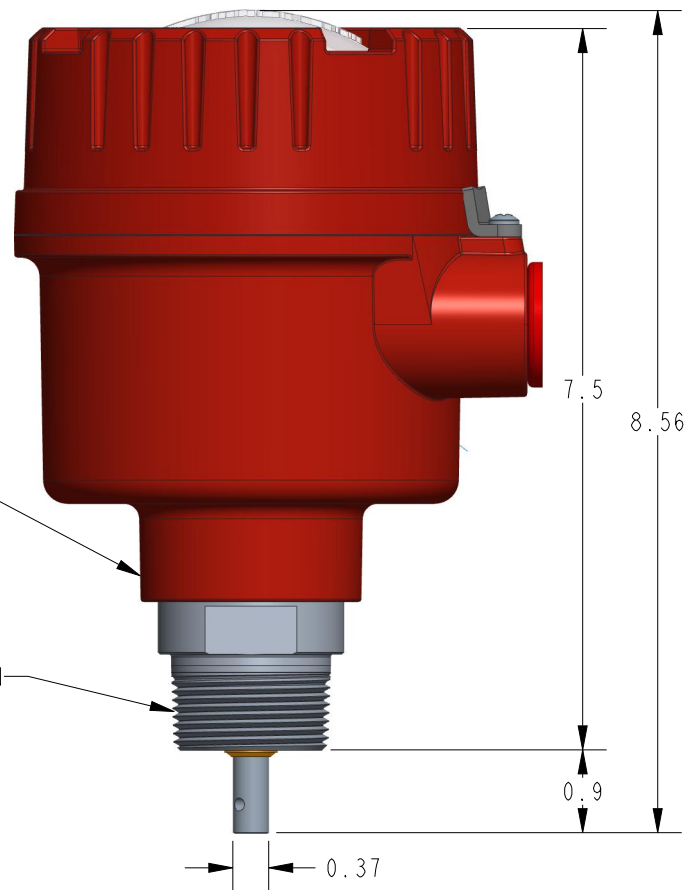
SHOWN WITH OPTIONAL TRANSLUCENT LENS
& LED INDICATOR LIGHT



SCALE 0.500

ENCLOSURE BODY ROTATES APPROX. 360°
INDEPENDENTLY FROM PROCESS CONNECTION
ALLOWING CONDUIT ENTRIES TO BE
POSITIONED PROPERLY PER APPLICATION

1-1/4 OR 1-1/2" NPT PROCESS CONNECTION
IN EITHER ALUMINUM OR STAINLESS STEEL



SCALE 0.500

REVISION

TITLE: MTG DIM, BMRX-300 SERIES ROTARY LEVEL INDICATOR

Model No.: BMRX-300

P/N: BMRX-300.XIXAA

DWG No.: 418-0292

SHEET
1 OF 1