

# P-1500 Series pneumatic rotary positioner



...for both double and single acting applications

## Description

The heart of the unit, its spool valve assembly, provides accurate, dependable positioning even with poor quality plant air.

The simple design provides for easy calibration with an internal span and an external zero adjustment.

The unit is designed for double acting applications but can easily be used for single acting applications by plugging one port.

## Features and benefits

- Rugged design for harsh industrial applications.
- Simple, easy to calibrate.
- Low air consumption.
- High air delivery capacity.
- External zero adjustment.
- Bright, visible indicator
- Mounting kits for a variety of actuators, rotary or linear.
- Split range cam standard.
- Simple change of range spring from 12 Psi to 24 Psi.
- Can reverse rotation simply and quickly.
- Variety of spindles and characterized cams.

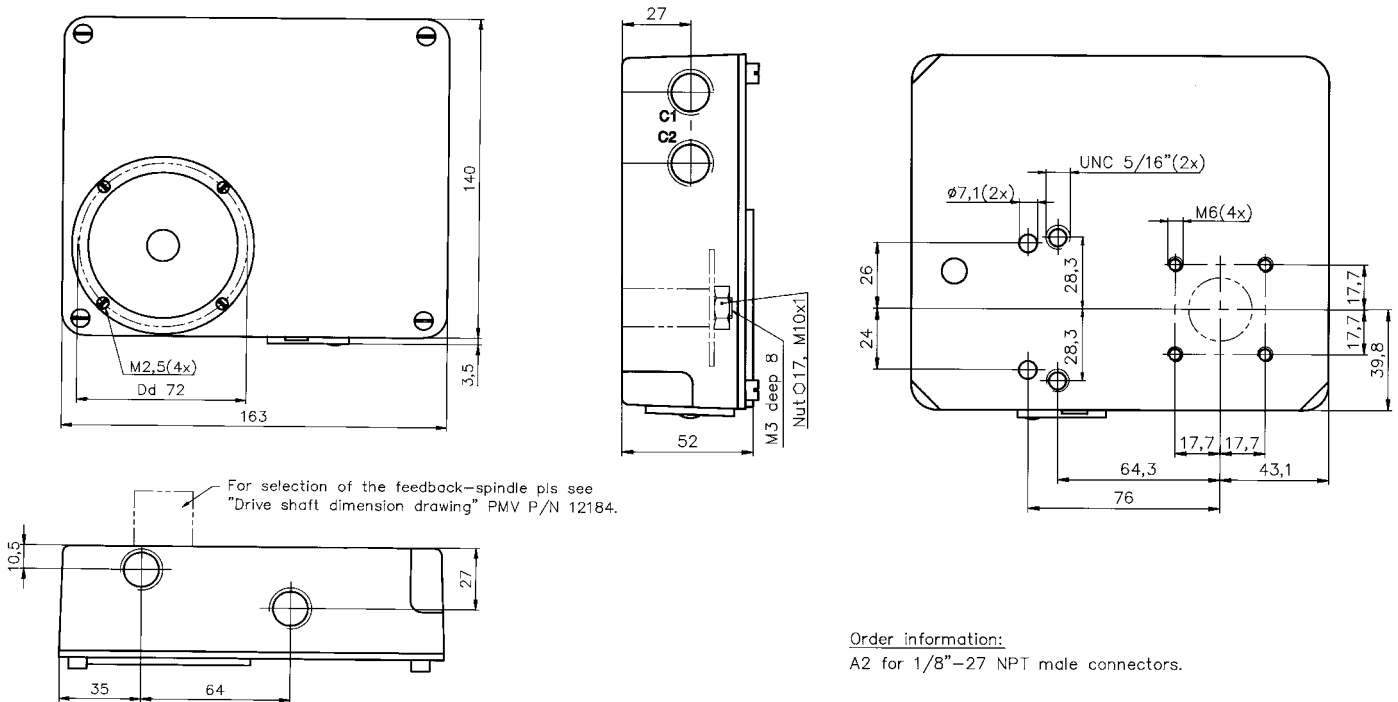


*PMV pneumatic rotary positioner model P-1500.*

## Technical Specifications:

Air consumption at 0,6 MPa (85 Psi) supply pressure	10 nl/min (0.35 SCFM)
Air delivery at 0,6 MPa (85 Psi) supply pressure	240 nl/min (8.4 SCFM)
Gain factor at 0,6 MPa (85 Psi) supply pressure	250
Connections	1/8" NPT
Hysteresis	0.5%
Linearity	0.5%
Repeatability	0.5%
Sensitivity	0.3%
Input signal	0,2-1kPa, 3-15 Psi (6-30 Psi optional)
Supply pressure	Max 1 MPa (150 Psi)
Temperature range standard	-40°C to +90°C (-40 to +194°F)
Weight	1.9 kg (lbs. 4,2)

# Dimensional Drawing



## Ordering Information

1. Model	P1500 or P1520	Standard or High air delivery capacity
2. Air connections	N	NPT 1/8"
3. Surface treatment	E	Anodised
4. Spindle	01, 23 etc	C1 to C34. See dwg SPNDLSP_1500
5. Cam	F01, F20 etc	F01 to F51, F01 = linear 90 deg, standard
6. Front cover	PV9DA	90 deg, Direct, arrow indicator
7. Input signal/temperature	3Z	3-15 psi input, Nitrile seals -40 deg °C

Example: P1500NE-23F01-PV9DA-3Z  
1 2 3 4 5 6 7



Palmstiernas Instrument AB  
Tulegatan 15  
SE-113 53 Stockholm  
SWEDEN

Tel: +46 (0) 8 555 106 00  
Fax: +46 (0) 8 555 106 01  
E-mail: info@pmvpositioners.com  
Internet: www.pmvpositioners.com



### SUBSIDIARIES:

PMV Controls Ltd  
Headlands Business Park  
Ringwood  
Hampshire BH24 3PB  
ENGLAND  
Tel: +44 (0) 1425 48 08 88  
Fax: +44 (0) 1425 48 08 89  
E-mail: sales@pmv-controls.ltd.uk

PMV-USA, Inc  
1440 Lake Front Circle  
Unit 160  
The Woodlands, Texas 77380  
USA  
Tel: +1 281 292 7500  
Fax: +1 281 292 7760  
E-mail: pmvusa@pmvusa.com  
Internet: www.pmvusa.com

PMV GmbH  
Postfach 2310  
D-41554 Kaarst  
GERMANY  
Tel: +49 2131 667 081/82  
Fax: +49 2131 667 083  
E-mail: hs.pmv@ambos.co.at

Palmstiernas Svenska AB  
Box 21  
S-663 21 Skoghall  
SWEDEN  
Tel: +46 (0) 54 52 14 70  
Fax: +46 (0) 54 52 14 42  
E-mail: info@palmstiernas.se  
Internet: www.palmstiernas.se



Total Chlorine  
Free Paper