



PS409

Digital Pressure Indicator
AC Powered

*Re-range, Calibrate
and Measure in
Under 30 Minutes*

It's as easy as 1 - 2 - 3

Integral gage and differential pressure transducer features an easy-to-replace sensing diaphragm and can be reconfigured to measure 23 pressure ranges from 0.08 psi to 3200 psi FS.



1 Dissamble Transducer

- Place sensor in vice
- Loosen body bolts using T27 Torx Wrench
- Separate coil housings and remove diaphragm

2 Select New Pressure Range

- Inspect O-rings
- Clean sensor cavity
- Select new diaphragm
- Reassemble

3 Re-Torque Body Bolts

- Place sensor in vice
- Torque body bolts to 130 In.-lbs.

Self-Contained Pressure Transducer and LED Digital Indicator

The PS409 features an integral variable reluctance transducer and easy-to-read 4-1/2 digit LED display



The PS409 self-contained digital indicator and pressure sensor is ideally suited for test panels in industrial and laboratory applications where accurate low-pressure readings are required.

Digital Indicator

The panel-mount digital indicator with large 0.5 inch high, 4-1/2 digit LED display, provides a clear readout in three engineering units, PSI, In. Hg and In. H₂O, which can be selected from the front panel. The indicator also features separate calibration adjustments for meter display and analog output.

Transducer

The transducer is available in absolute, gage and differential versions. It features corrosion-resistant materials at point of contact with the pressure media. With an easy-to-replace sensing diaphragm, gage and differential transducers can be re-configured to measure 23 pressure ranges from 0.08 psi FS to 3200 psi FS. In addition, the unit provides a 5 Vdc analog output suitable for recording, remote display or control purposes.

Features:

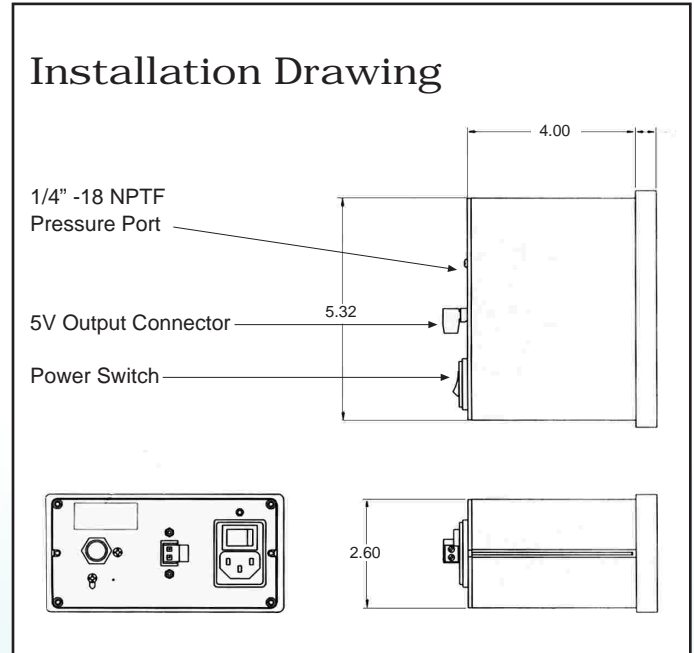
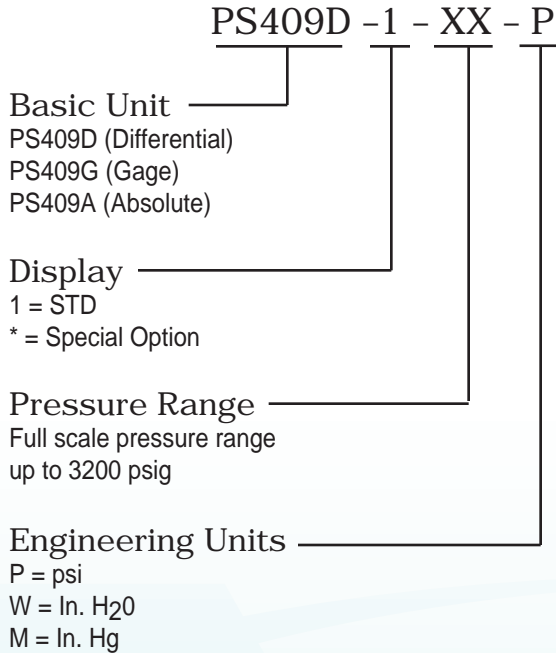
- Lightweight construction, 3/8 DIN enclosure
- Absolute, gage and differential ranges, 0.08 to 3200 psi FS
- All surfaces in contact with pressure media are stainless steel – both ports in differential units
- 5 Vdc analog output standard
- Temperature range 0°F to 160°F

Applications:

- Test panel and test cell applications
- Pumps and hydraulic systems
- Pneumatic systems
- Engine and vehicle test stands
- Gas distribution
- Product / process control testing
- Fuel pressure
- Emission testing



Specify part number as follows:



Specifications

Pressure Ranges: (Absolute or Gage)	Any full-scale pressure from 0.08 psi to 3200 psi
(Differential)	±0.08 psid to ±3200 psid
Accuracy: (Differential or Gage)	25% FS, including linearity, hysteresis and repeatability
(Absolute)	±0.5%
Overpressure: (Differential or Gage)	200% FS, up to 4000 psi maximum, with less than 0.5% zero shift
(Absolute)	20 psi or 200% FS, whichever is greater, to 4000 psi max. with less 0.5% zero shift
Line Pressure:	3200 psig max. with zero shift less than 1% FS/1000 psi
Pressure Media:	Any fluid compatible with Type 410 stainless steel and Inconel. Other materials available
O-rings:	BUNA-N standard (PS409D only – not used on PS409A). Other materials are available

Pressure Cavity Volume:	6 x 10 ⁻² cu In., symmetrical in differential units
Volumetric Displacement:	6 x 10 ⁻⁴ cu in FS
Analog Output(s): (Gage or Absolute)	Single, linear voltage output of 0 to 5 Vdc for Gage and Absolute versions
(Differential)	0 to 5V or ±5 Vdc. Special options and calibration available. Consult factory
Input Power:	110 VAC or 220 VAC optional
Operating Temperature:	0°F – 160°F (-17°C to 71°C)
Pressure Connections:	1/4" NPTF
Enclosure:	3/8" DIN rail mount
Dimensions: (Panel Cut Out)	5.45" x 2.65"
(Face Plate)	5.65" x 2.8"
Signal Connection:	Removable plug with screw terminals