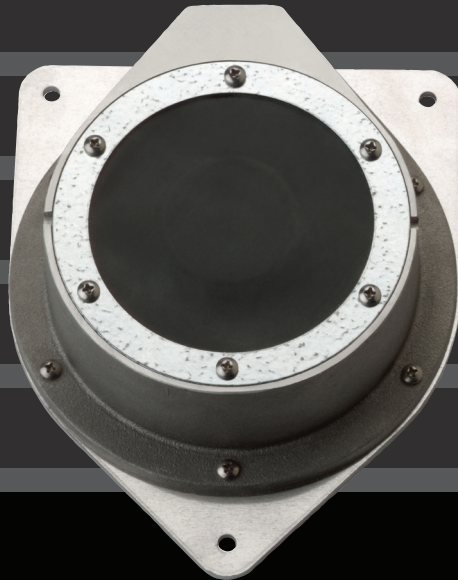




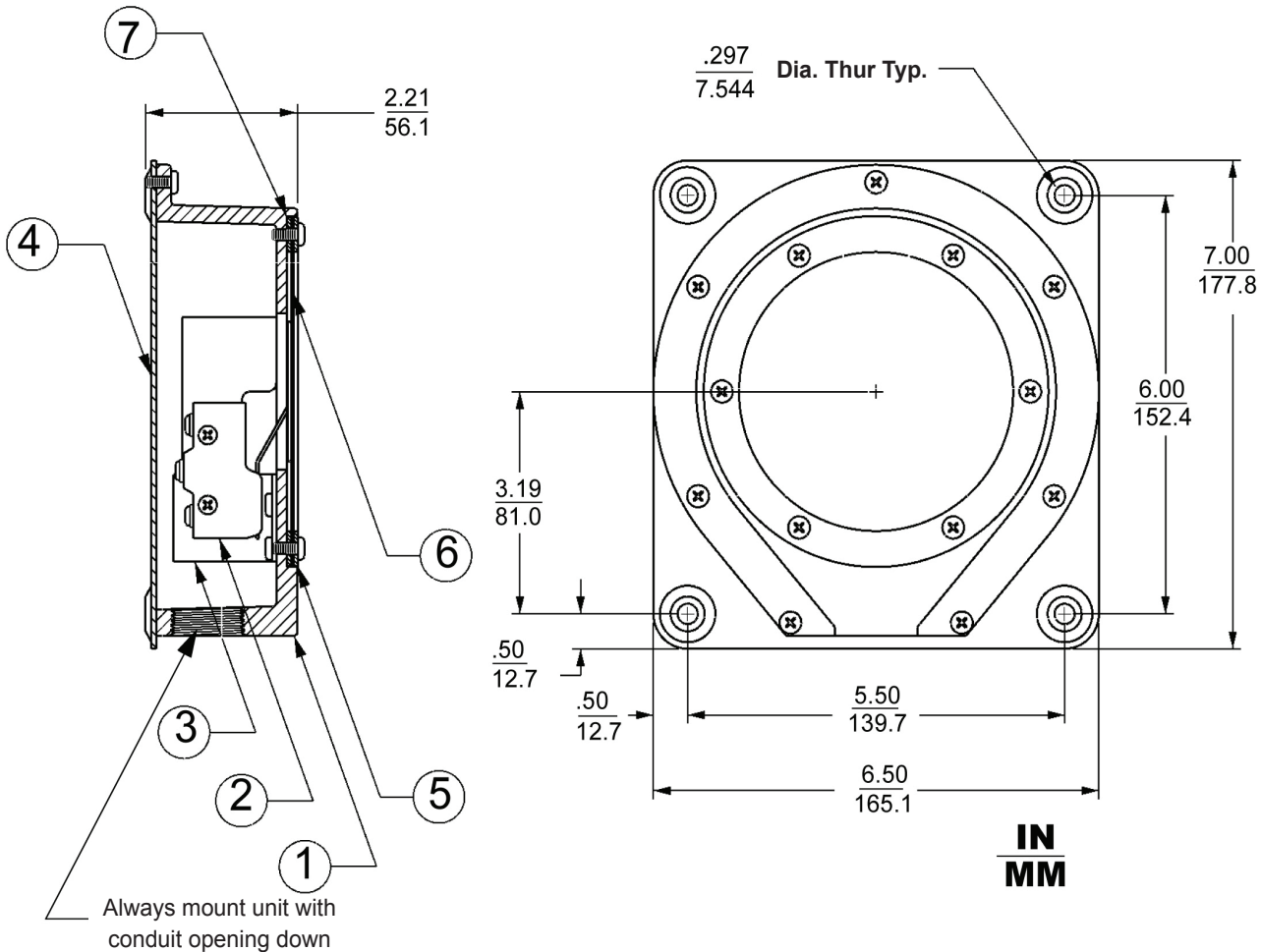
Diaphragm Switch BM45



BinMaster: Division of Garner Industries
7201 N. 98th St., Lincoln, NE 68507
402-434-9102 • email: info@binmaster.com
www.binmaster.com

BM45 R, RH, RHT

General Purpose Diaphragm



| Item | Part No. | Description |
|------|----------------------------------|---|
| 1 | 220-0021 | Cast Aluminum Enclosure |
| 2 | 530-0016 530-0042 | Micro Switch Assembly (BM45 R) Micro Switch Assembly (BM45 RH, RHT) |
| 3 | 205-0024 | Micro Switch Mounting Bracket |
| 4 | 270-0023 | Backing Mounting Plate |
| 5 | 275-0010 | Diaphragm Retaining Ring |
| 6 | 225-0003 225-0004 225-0005 | Neoprene Diaphragm (BM45 R) Heavy Neoprene Diaphragm (R45 RH) Silicone Diaphragm (BM45 RHT) |
| 7 | 280-0004 | Gasket Ring |

Installation Instructions BM45 Series

Installation Options:

NOTE: Vertical mounting is necessary for proper operation.

Install the **BM45F** Series on the outside of the bin wall. The unit must be mounted vertically with the diaphragm facing toward the center of the bin.

Before mounting, determine the desired location of the unit, then cut a five inch hole in the side of the bin. Do not warp or bow the mounting plate when screwing to the bin wall. Shim the unit if mounting to a uneven surface.

The **BM45R** Series mounts on the **inside** of the bin wall, with the diaphragm facing toward the center of the bin. Secure with four screws.

NOTE: When installing the BM45 in locations where moisture or moist air could enter the enclosure through the electrical conduit, use a duct seal compound to seal the conduit opening.

Refer to drawings for mounting hole dimensions for either the BM45F series or BM45R series units.

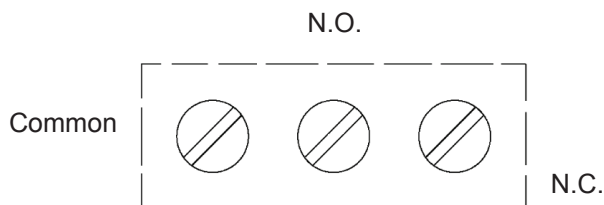
Wiring Instructions:

The BinMaster housing has provisions for connection to 1/2 inch conduit.

Remove the back plate of the BM45. This will expose the single pole double throw snap-switch.

The switch rating is: 15A @ 125VAC, 10A @ 250VAC, 1/8 HP-125VAC, 1/4 HP-250VAC, 1/2A @ 125VDC.

There are three terminals on the switch: “Common”, “Normally Open”, and “Normally Closed”. The condition referred to as “normal” is with no material covering the diaphragm of the BM45.



Examples:

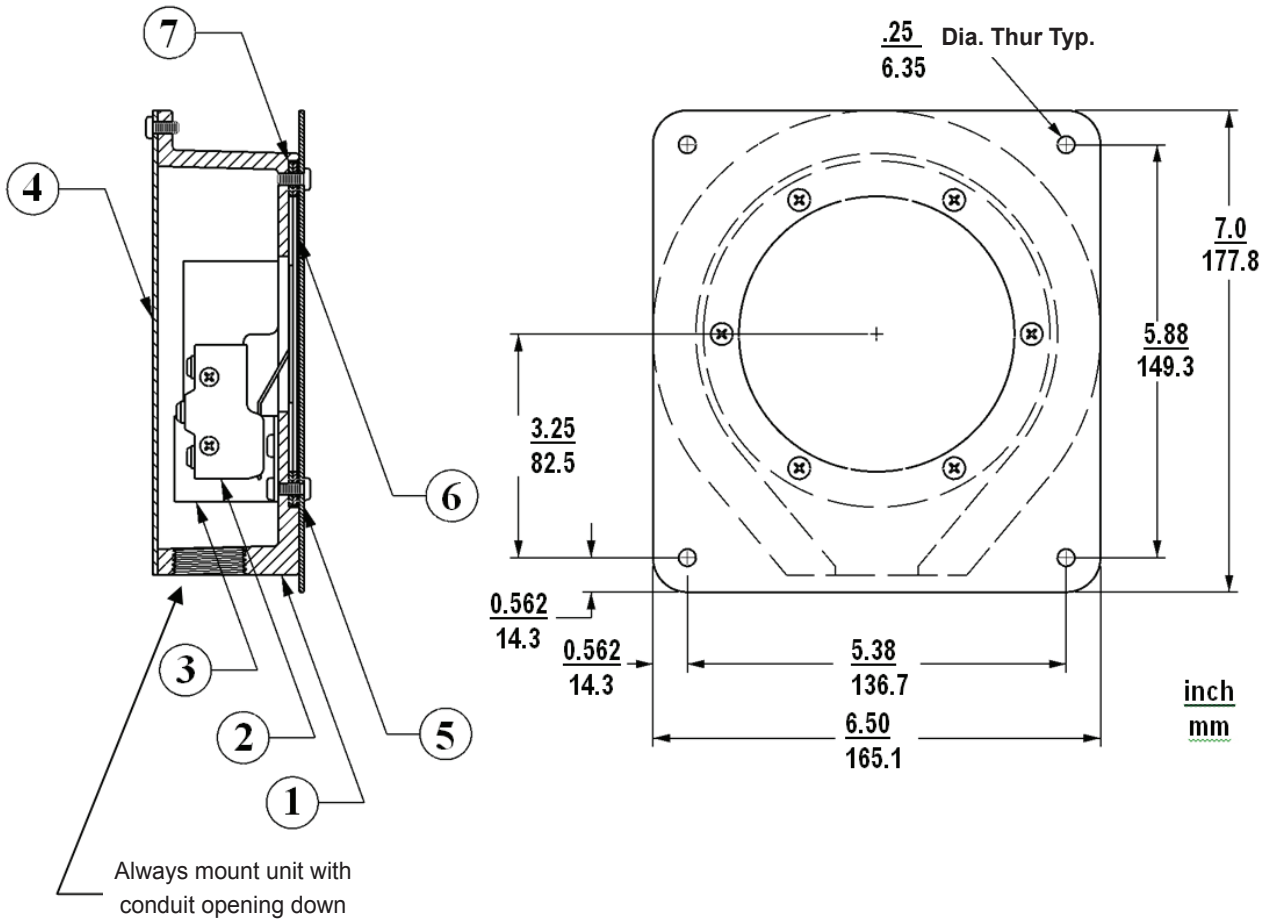
A. The BinMaster switch may be used to control a motor start relay. To wire the BinMaster switch to stop the motor when material covers the diaphragm, use the “Common” and “Normally Closed” switch terminals.

B. To wire the BinMaster switch to turn on a light, or sound an alarm when material covers the diaphragm, use “Common” and “Normally Open”.

Safety Warning: The BM45 Series is not approved for use in combustible dust. Use the BM65 Series for such applications.

BM45 F, FH, FHT

General Purpose Diaphragm



| Item | Part No. | Description |
|------|----------------------------------|--|
| 1 | 220-0022 | Cast Aluminum Enclosure |
| 2 | 530-0016 530-0042 | Micro Switch Assembly (BM45 F) Micro Switch Assembly (BM45 FH, FHT) |
| 3 | 205-0024 | Micro Switch Mounting Bracket |
| 4 | 270-0025 | Back Plate |
| 5 | 270-0024 | Front Mounting Plate |
| 6 | 225-0003 225-0004 225-0005 | Neoprene Diaphragm (BM45 F) Heavy Neoprene Diaphragm (BM45 FH) Silicone Diaphragm (BM45 FHT) |
| 7 | 280-0004 | Gasket Ring |

BinMaster: Division of Garner Industries
 7201 N. 98th St., Lincoln, NE 68507
 402-434-9102 • email: info@binmaster.com
 www.binmaster.com