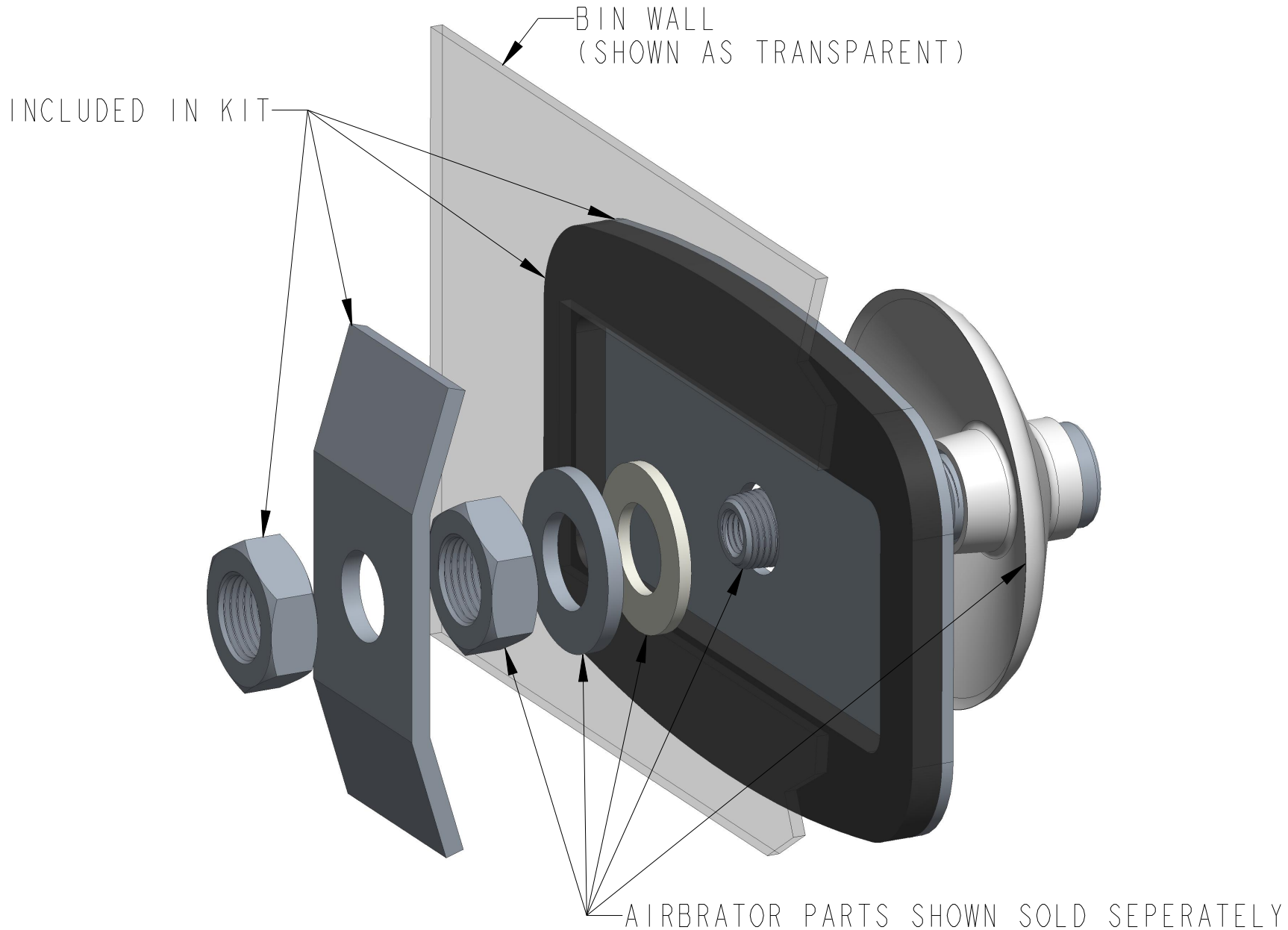


This drawing is the property of Gamer Industries. It is issued in confidence on the condition that it is to be returned on request and that it is not to be copied or reproduced in any way, or used in the manufacture of the subject matter thereof without the written consent of Gamer Industries.

DIMENSIONS ARE IN INCHES UNLESS NOTED OTHERWISE

# BINMASTER

Division of Gamer Industries / 7201 North 98th Street / Lincoln, NE 68507  
(402) 434-9102 / fax (402) 434-9144 \ www.binmaster.com



SCALE 0.750

**TITLE:** MTG DIM, AIRBRATOR EXTERNAL RECT. MNT'G KIT **Model No.:** AB-MKR **P/N:** 730-0513 **DWG No.:** 418-0217

REVISION  
A  
PAGE  
1 OF 2

This drawing is the property of Gamer Industries. It is issued in confidence on the condition that it is to be returned on request and that it is not to be copied or reproduced in any way, or used in the manufacture of the subject matter thereof without the written consent of Gamer Industries.

DIMENSIONS ARE IN INCHES UNLESS NOTED OTHERWISE

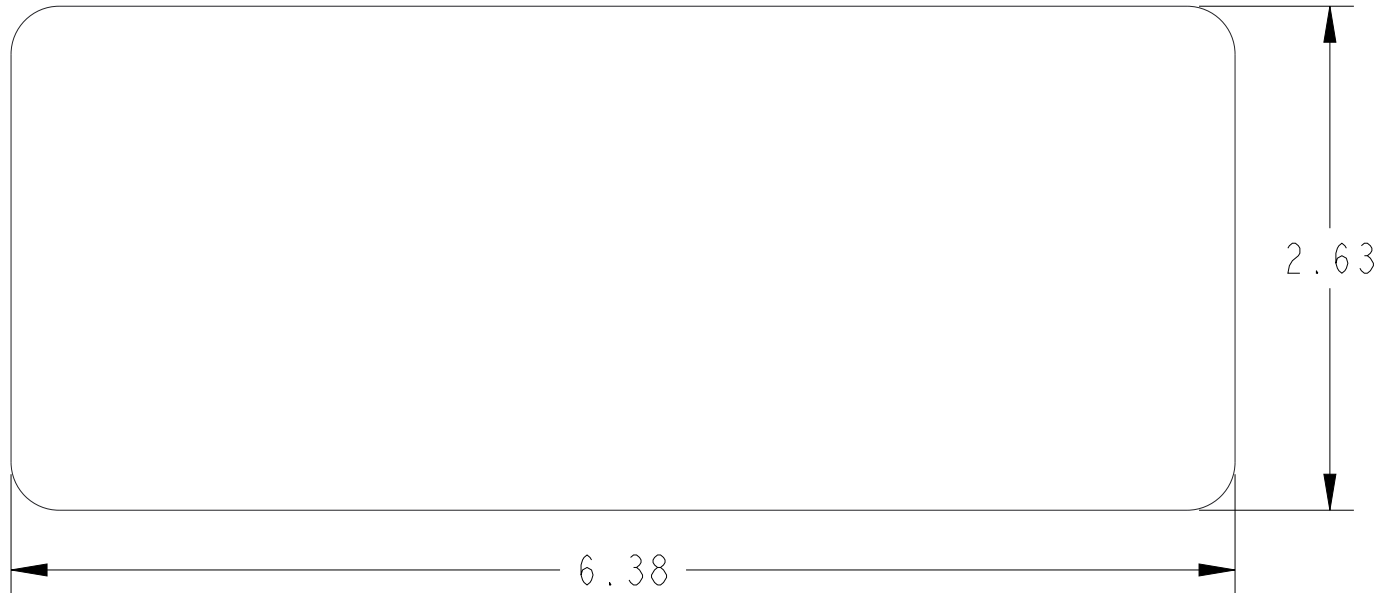


Division of Gamer Industries / 7201 North 98th Street / Lincoln, NE 68507  
(402) 434-9102 / fax (402) 434-9144 \ www.binmaster.com

# TEMPLATE

## Airbrator External Rectangular Mounting Plate

*Template must be printed actual size on 8.5" x 11" (A size) paper*



SCALE 1.000

TITLE: MTG DIM, AIRBRATOR EXTERNAL RECT. MNT'G KIT Model No.: AB-MKR P/N: 730-0513 DWG No.: 418-0217

REVISION  
A  
PAGE  
2 OF 2